

-  Sewage
-  Domestic use
-  Civil use
-  Industrial use

※ **Powerful and robust high-efficiency pumps made entirely of stainless steel**



※ **VX-ST constructed entirely from stainless steel, VX-ST submersible pumps offer superior corrosion and abrasion.**

PERFORMANCE RANGE

- Flow rate up to **700 l/min** (42 m³/h)
- Head up to **21.5 m**

INSTALLATION AND USE

VX-ST stainless steel submersible pumps are designed for sewage drainage in **domestic, civil, and industrial** settings where suspended solids are present in the water, such as sludge-mixed water, groundwater, or surface water.

They are also perfect for pumping out flooded areas like basements, underground parking garages, car wash stations, and emptying septic tanks and sewage systems.

- ※ The hydraulic configuration of the **VORTEX** volute and impeller results from advanced fluid dynamics calculations, delivering superior performance and efficiency for notable energy savings.
- ※ The **VORTEX** impeller can handle solids up to **50 mm** in diameter. Its unique design ensures safe operation against clogging.

INCLUDES

- ※ Power cable length **10 m**
- ※ Float switch (exclusive to single-phase models)

APPLICATION LIMITS

- Depth below water level up to **5 m** (with an appropriately sized power cable)
- Liquid temperature up to **+40 °C**
- Suspended solids transfer:
 - up to **Ø 40 mm** for VX /35-ST
 - up to **Ø 50 mm** for VX /50-ST
- **Minimum immersion for continuous service:**
 - **290 mm** for VX 8-ST and VX 10-ST
 - **330 mm** for VX 15-ST
 - **360 mm** for VX 20-ST

AVAILABLE UPON REQUEST

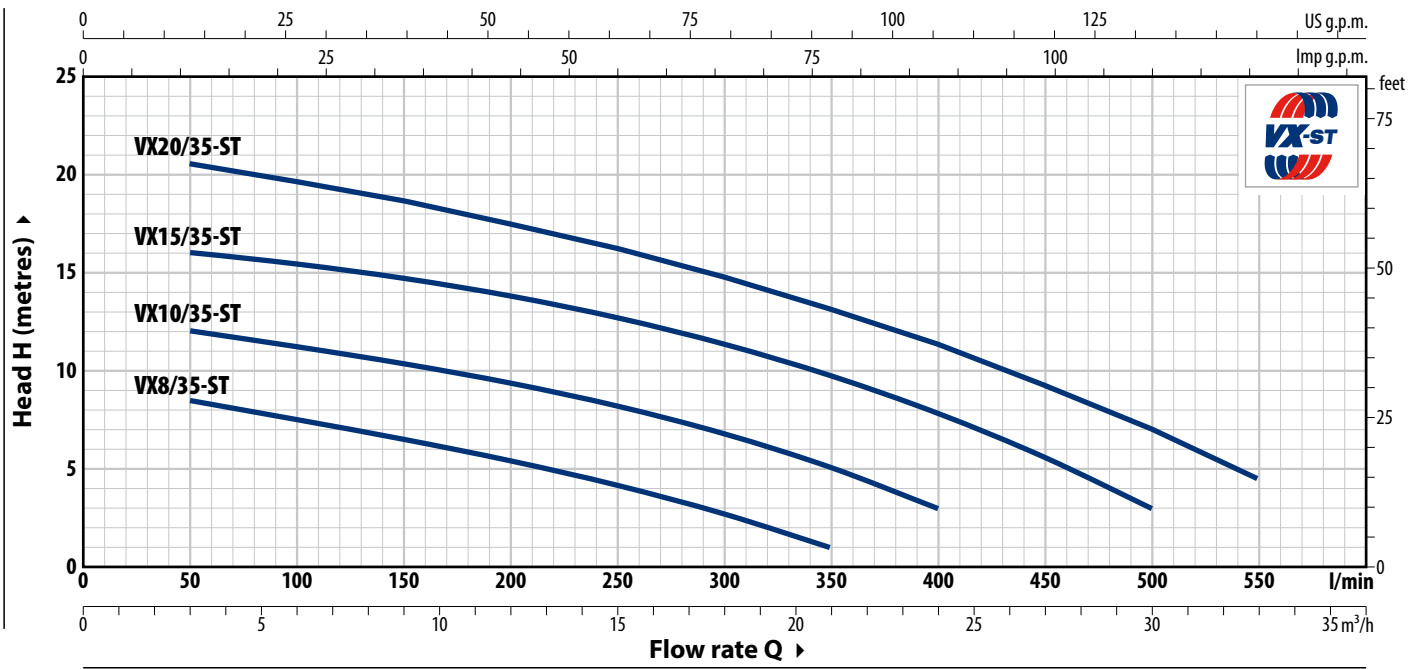
- ※ AISI 316L stainless steel pump shaft
- ※ Different voltage or frequency

PATENTS - TRADE MARKS - MODELS

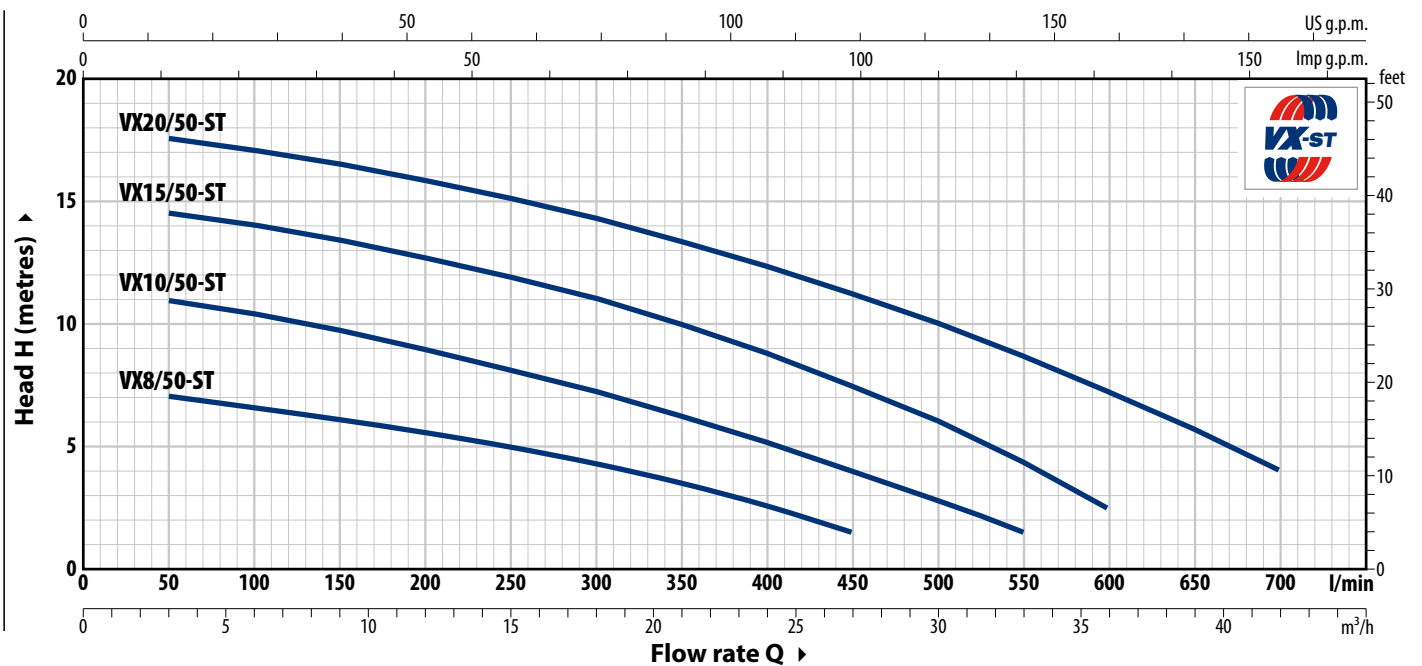
- Patent No. EP2313658
- Patent No. IT0001428923

CURVES AND PERFORMANCE DATA

60 Hz



TYPE		POWER (P ₂)		Q	H metres												
Single-phase	Three-phase	kW	HP		m ³ /h	0	3	6	12	18	21	24	27	30	33		
				l/min	0	50	100	200	300	350	400	450	500	550			
VXm 8/35 -ST	VX 8/35 -ST	0.55	0.75		9.5	8.5	7.5	5.4	2.7	1							
VXm 10/35-ST	VX 10/35-ST	0.75	1		13	12	11.4	9.5	6.9	5.1	3						
VXm 15/35-ST	VX 15/35-ST	1.1	1.5		16.5	16	15.4	13.8	11.4	9.8	7.8	5.6	3				
VXm 20/35-ST	VX 20/35-ST	1.5	2		21.5	20.5	19.7	17.5	14.8	13.2	11.4	9.3	7	4.5			



TYPE		POWER (P ₂)		Q	H metres													
Single-phase	Three-phase	kW	HP		m ³ /h	0	3	6	12	18	24	27	30	33	36	42		
				l/min	0	50	100	200	300	400	450	500	550	600	700			
VXm 8/50 -ST	VX 8/50 -ST	0.55	0.75		7.5	7	6.6	5.7	4.2	2.5	1.5							
VXm 10/50-ST	VX 10/50-ST	0.75	1		11.5	11	10.4	9	7.2	5.2	4	2.8	1.5					
VXm 15/50-ST	VX 15/50-ST	1.1	1.5		15	14.5	14	12.7	11	8.8	7.5	6	4.3	2.5				
VXm 20/50-ST	VX 20/50-ST	1.5	2		18	17.5	17.1	15.9	14.3	12.3	11.2	10	8.7	7.2	4			

Q = Flow rate H = Total manometric head

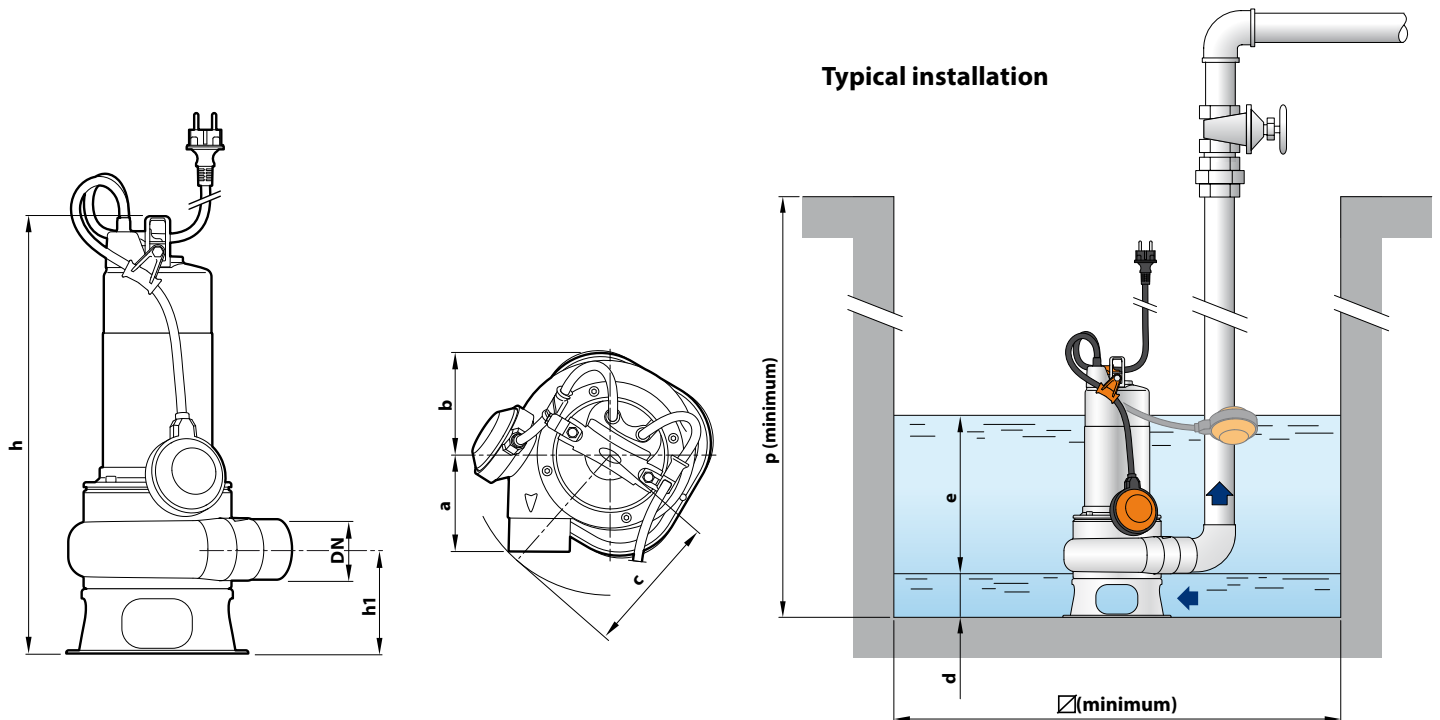
Performance curves comply with EN ISO 9906 Grade 3B tolerance limits.

ABSORPTION

TYPE	VOLTAGE	
	220 V	110 V
Single-phase		
VXm 8/35 -ST	4.0 A	8.0 A
VXm 10/35 -ST	6.3 A	12.6 A
VXm 15/35 -ST	8.0 A	-
VXm 20/35 -ST	11.5 A	-
VXm 8/50 -ST	4.0 A	8.0 A
VXm 10/50 -ST	6.3 A	12.6 A
VXm 15/50 -ST	8.0 A	-
VXm 20/50 -ST	11.5 A	-

TYPE	VOLTAGE	
	380 V	440 V
Three-phase		
VX 8/35 -ST	1.6 A	1.5 A
VX 10/35 -ST	2.2 A	1.0 A
VX 15/35 -ST	3.6 A	3.1 A
VX 20/35 -ST	4.3 A	3.8 A
VX 8/50 -ST	1.6 A	1.5 A
VX 10/50 -ST	2.4 A	1.0 A
VX 15/50 -ST	3.6 A	3.1 A
VX 20/50 -ST	4.3 A	3.8 A

DIMENSIONS AND WEIGHT



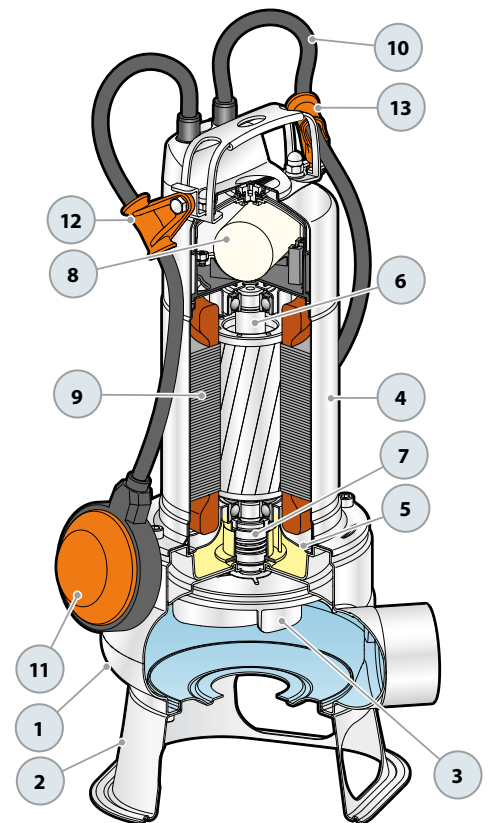
TYPE		PORT DN	Passage of solid bodies	DIMENSIONS mm									kg	
Single-phase	Three-phase			a	b	c	h	h1	d	e	p	Ø	1~	3~
VXm 8/35 -ST	VX 8/35 -ST	1½"	Ø 40 mm	95	96	140	424	106	55	adjustable	500	500	11.2	10.1
VXm 10/35 -ST	VX 10/35 -ST						439						12.7	11.5
VXm 15/35 -ST	VX 15/35 -ST						472						15.5	13.9
VXm 20/35 -ST	VX 20/35 -ST						502						17.7	15.5
VXm 8/50 -ST	VX 8/50 -ST	2"	Ø 50 mm	102	96	145	435	107	60	adjustable	500	500	11.4	10.3
VXm 10/50 -ST	VX 10/50 -ST						450						12.9	11.7
VXm 15/50 -ST	VX 15/50 -ST						483						15.7	14.1
VXm 20/50 -ST	VX 20/50 -ST						513						17.9	15.7

PALLET CAPACITY

TYPE		GROUPAGE	CONTAINER
Single-phase	Three-phase	n. pumps	n. pumps
VXm 8/35 -ST	VX 8/35 -ST	45	60
VXm 10/35 -ST	VX 10/35 -ST	45	60
VXm 15/35 -ST	VX 15/35 -ST	30	45
VXm 20/35 -ST	VX 20/35 -ST	30	45
VXm 8/50 -ST	VX 8/50 -ST	45	60
VXm 10/50 -ST	VX 10/50 -ST	45	60
VXm 15/50 -ST	VX 15/50 -ST	30	45
VXm 20/50 -ST	VX 20/50 -ST	30	45

MATERIALS AND COMPONENTS

1 Pump body	AISI 304 stainless steel with ISO 228/1 threaded port		
2 Base	Stainless steel AISI 304		
3 Impeller	VORTEX type in AISI 304 stainless steel		
4 Motor sleeve	Stainless steel AISI 304		
5 Motor cover	Stainless steel AISI 304 Cast iron with cathoresis treatment for VX 15-20 ST		
6 Motor shaft	Stainless steel AISI 431		
7 Double mechanical seal in oil chamber			
Seal	Shaft	Location	Materials
MG1-14D SIC	Ø 14 mm	Motor side Pump side	Silicon carbide / Graphite / NBR Silicon carbide/Silicon carbide/NBR
8 Capacitor (exclusive to single-phase models)			
9 Electric motor			
VXm-ST: single-phase 220 V - 60 Hz or 110 V - 60 Hz with winding integrated thermal motor protection			
VX-ST: three-phase 380 V - 60 Hz or 440 V - 60 Hz			
- Insulation: class F			
- Protection rating: IP X8			
10 Power cord			
Power cable encapsulated with epoxy resin both in the grommet area and where the conductors exit the sheath, for absolute insulation against moisture and water.			
Type 'H07 RN-F' (Schuko plug exclusive to single-phase models)			
※ Standard length 10 metres			
11 Float switch (exclusive to single-phase models)			
12 Tilting device for the float cable (exclusive to single-phase models) Patent No. IT0001428923			
13 Power cable strain relief Patent No. EP2313658			



SEWAGE LIFTING SYSTEM KIT VX-ST - BC-ST

VERSION WITH HORIZONTAL DELIVERY AND 3/4" GUIDE PIPES

For VX /35-ST	CODE ASSPVX35ST	DN 2"
For VX /50-ST , BC /50-ST	CODE ASSPVX50ST	DN 2"

※ Kit consisting of:



Coupling foot



Solids rail with ring nut and seal



Support for guide tubes



VERSION WITH VERTICAL DELIVERY AND 3/4" GUIDE PIPES

For VX /35-ST	CODE ASSPVX35STV	DN 2½"
For VX /50-ST, BC /50-ST	CODE ASSPVX50STV	DN 2½"

※ Kit consisting of:



Coupling foot complete with counterflange



Solids rail with ring nut and seal



Support for guide tubes



● ACCESSORIES AVAILABLE FOR ORDER

RUNNING GUIDE

※ For VX /35-ST	CODE ASSFL005
※ For VX /50-ST , BC /50-ST	CODE ASSFL006

Complete with ring nut and gasket

GUIDE TUBE SUPPORT

※ For Ø 3/4 " guide tubes	CODE 859SV340INTFA
---------------------------	--------------------

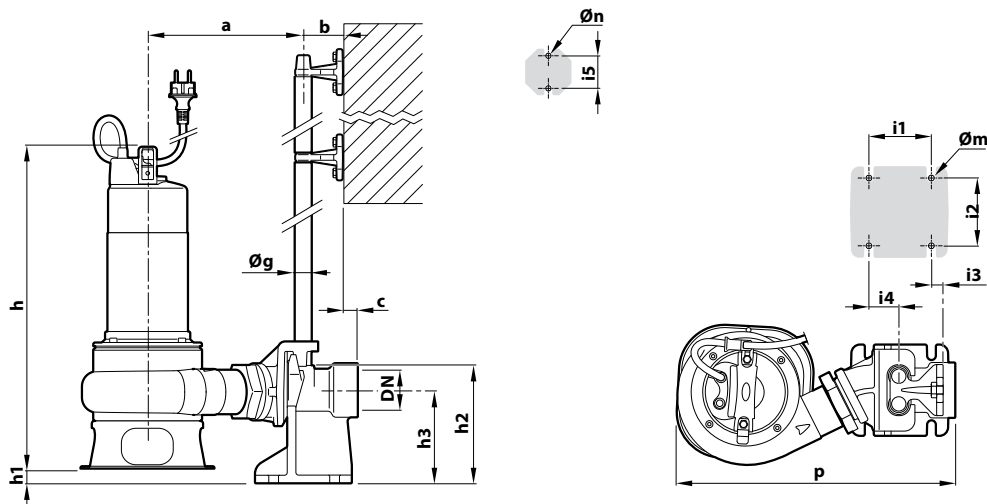
To ensure stability, insert a support every 2 metres along the guide tube

GUIDE TUBE (AISI 304 stainless steel)

※ 2 metres Ø 3/4" guide tube	CODE 54SARTG0052F
※ 3 metres Ø 3/4" guide tube	CODE 54SARTG0053F
※ 6 metres Ø 3/4" guide tube	CODE 54SARTG0056F

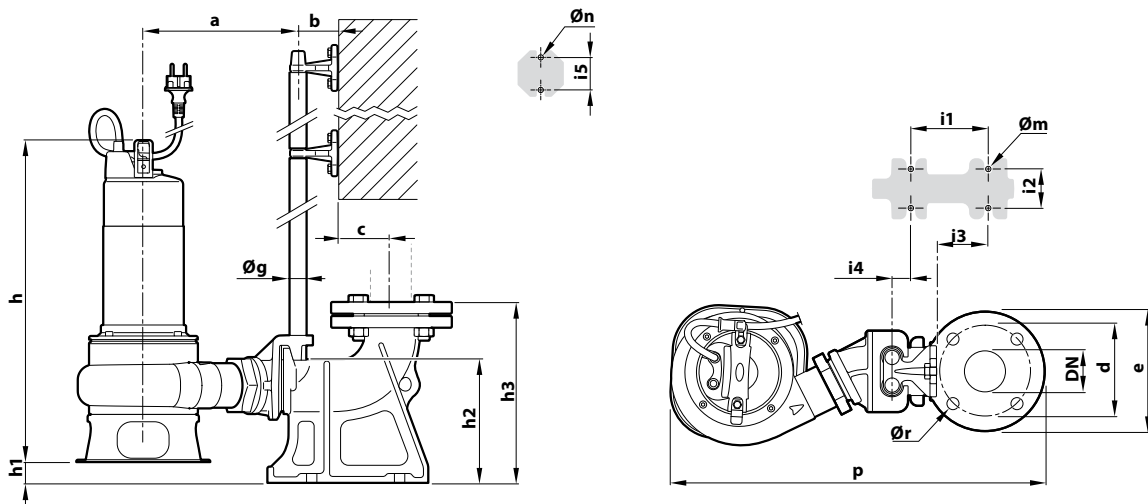


DIMENSIONS (Version with horizontal outlet)



TYPE		Passage of solid bodies mm	PORT DN	DIMENSIONS mm															
Single-ph.	Three-ph.			a	b	c	p	h	h1	h2	h3	i1	i2	i3	i4	i5	Øg	Øm	Øn
VXm 8/35 -ST	VX 8/35 -ST	40	2"	214			386	424	24										
VXm 10/35 -ST	VX 10/35 -ST							439											
VXm 15/35 -ST	VX 15/35 -ST							472											
VXm 20/35 -ST	VX 20/35 -ST							502											
VXm 8/50 -ST	VX 8/50 -ST	50	2"	221	61	17	372	435	23	165	130	85	94	16	40	50	¾"	12	11
VXm 10/50 -ST	VX 10/50 -ST							450											
VXm 15/50 -ST	VX 15/50 -ST							483											
VXm 20/50 -ST	VX 20/50 -ST							513											
BCm 10/50 -ST	BC 10/50 -ST	50	2"					450											
BCm 15/50 -ST	BC 15/50 -ST							483											
BCm 20/50 -ST	BC 20/50 -ST							513											

DIMENSIONS (Version with vertical delivery)



TYPE		Passage of solid bodies mm	PORT DN	DIMENSIONS mm																		
Single-ph.	Three-ph.			a	b	c	d	e	p	h	h1	h2	h3	i1	i2	i3	i4	i5	Øg	Øm	Øn	Ør
VXm 8/35 -ST	VX 8/35 -ST	40	2½"	207					495	22												
VXm 10/35 -ST	VX 10/35 -ST																				439	
VXm 15/35 -ST	VX 15/35 -ST																				472	
VXm 20/35 -ST	VX 20/35 -ST																				502	
VXm 8/50 -ST	VX 8/50 -ST	50	2½"	212	61	52	125	165	501	26	164	215	120	72	62	3	50	¾"	14	11	18	
VXm 10/50 -ST	VX 10/50 -ST																					450
VXm 15/50 -ST	VX 15/50 -ST																					483
VXm 20/50 -ST	VX 20/50 -ST																					513
BCm 10/50 -ST	BC 10/50 -ST	50	2½"																			
BCm 15/50 -ST	BC 15/50 -ST																				450	
BCm 20/50 -ST	BC 20/50 -ST																				513	