

 Clear waters

 Domestic use

### ※ TOP

**Drainage pumps:  
reliable and durable**



### PERFORMANCE RANGE

- Flow rate up to **360 l/min** (21.6 m<sup>3</sup>/h)
- Head up to **15.5 m**

### INSTALLATION AND USE

The **TOP** series is excellent for draining **clear water** without abrasive particles. Construction features ensure user-friendly and safe operation, including motor cooling and a double shaft seal. Recommended for emergency drainage of small, flooded areas (rooms, basements, garages), disposing of household water (dishwashers, washing machines), and emptying sumps.

### APPLICATION LIMITS

- Liquid temperature up to **+40 °C** and up to **+90 °C** for short bursts (up to 3 minutes max) for intermittent service
- Capable of processing suspended solids up to **Ø 10 mm**
- Draining capability:
  - up to **14 mm** from the bottom for TOP 1-2-3
  - up to **30 mm** from the bottom for TOP 4-5
- Maximum operating depth below water level:
  - up to **3 m** for TOP 1-2-3
  - up to **5 m** for TOP 4-5
 (with an appropriately sized power cable)

### PATENTS - TRADE MARKS - MODELS

- Patent No. IT0001428923
- Registered Community Model No. 342159-0011

### INCLUDES

- ※ **5 m** power cable
- ※ Float switch

### AVAILABLE UPON REQUEST

- ※ Mechanical seal options available
- ※ Different voltage requirements 60 Hz frequency
- ※ Power cable length **10 m**
- ※ **TOP-GM** " pumps with magnetic float operation (suitable for small sumps)
- ※ **TOP-LA** " special pumps with all metal components in contact with the pumped liquid in AISI 316 stainless steel



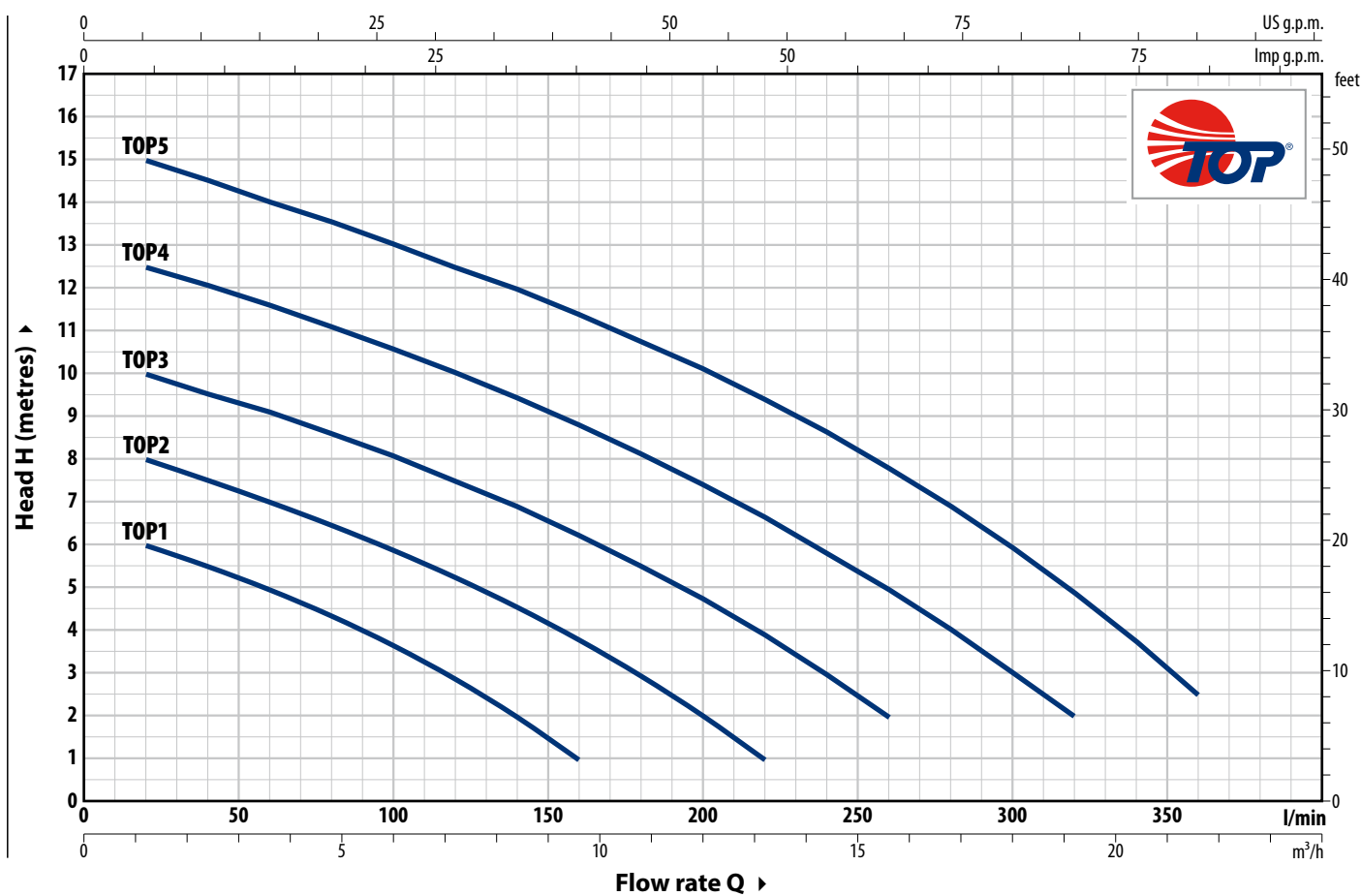
※ **TOP LA**



※ **TOP GM**

## CURVES AND PERFORMANCE DATA

50 Hz



TYPE	POWER (P <sub>2</sub> )		Q	Flow rate																		
	kW	HP		m <sup>3</sup> /h	0	1.2	2.4	3.6	4.8	6.0	7.2	8.4	9.6	10.8	12.0	13.2	14.4	15.6	18.0	19.2	21.6	
Single-phase			l/min	0	20	40	60	80	100	120	140	160	180	200	220	240	260	300	320	360		
TOP 1	0.25	0.33	H metres	6.5	6	5.5	5	4.4	3.7	3	2	1										
TOP 2	0.37	0.50		8.5	8	7.5	7	6.5	6	5.3	4.6	3.8	3	2	1							
TOP 3	0.55	0.75		10.4	10	9.6	9	8.6	8	7.5	7	6.3	5.5	4.8	4	3	2					
TOP 4	0.75	1		13	12.5	12	11.6	11	10.6	10	9.5	8.8	8.2	7.4	6.7	6	5	3	2			
TOP 5	0.92	1.25		15.5	15	14.5	14	13.6	13	12.6	12	11.4	10.8	10	9.4	8.7	7.8	6	5	2.5		

Q = Flow rate H = Total manometric head

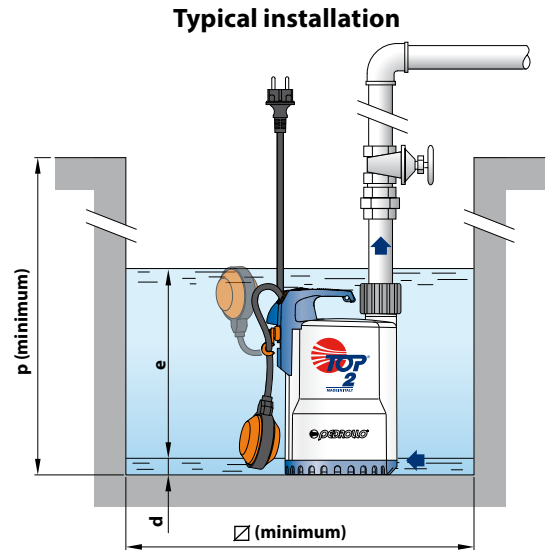
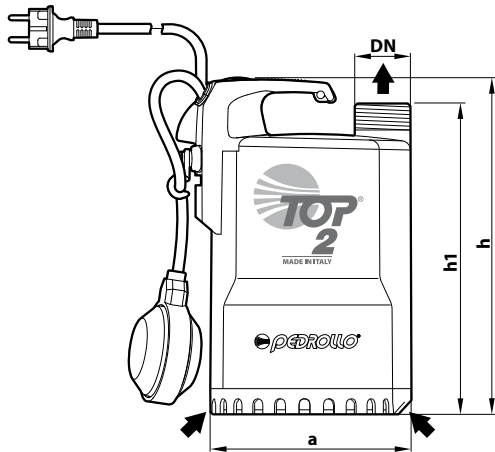
Performance curves comply with EN ISO 9906 Grade 3B tolerance limits.

## ABSORPTION

TYPE	VOLTAGE
Single-phase	<b>230 V</b>
TOP 1	1.5 A
TOP 2	2.0 A
TOP 3	3.2 A
TOP 4	4.5 A
TOP 5	5.5 A

✘ TOP-LA and TOP-GM pumps have the same performance

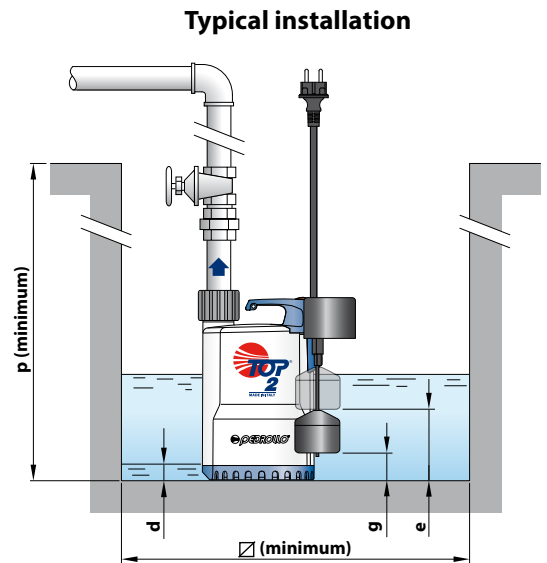
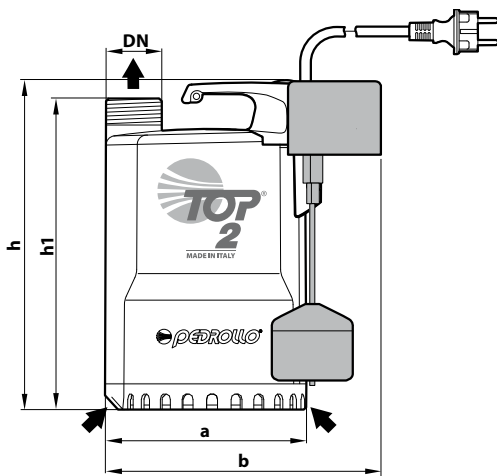
## DIMENSIONS AND WEIGHT



TYPE	PORT DN	DIMENSIONS mm							kg
		a	h	h1	d	e	p	Ø	
<b>Single-phase</b>									
<b>TOP 1</b>	1 1/4"	152	260	240	14	adjustable	350	350	5.4
<b>TOP 2</b>			290	270					5.4
<b>TOP 3</b>									6.7
<b>TOP 4</b>	1 1/2"	204	337	313	30		450	450	10.3
<b>TOP 5</b>									11.3

※ TOP-LA pumps have the same dimensions

※ Version with 'GM' magnetic float switch



TYPE	PORT DN	DIMENSIONS mm									kg
		a	b	h	h1	d	e	g (adjustable)	p	Ø	
<b>Single-phase</b>											
<b>TOP 1 - GM</b>	1 1/4"	152	200	260	240	14	140	35	350	220	5.4
<b>TOP 2 - GM</b>				290	270		170	40			5.4
<b>TOP 3 - GM</b>							6.9				
<b>TOP 4 - GM</b>	1 1/2"	204	-	337	313	30	220	65	450	300	10.5
<b>TOP 5 - GM</b>							11.4				

## PALLET CAPACITY

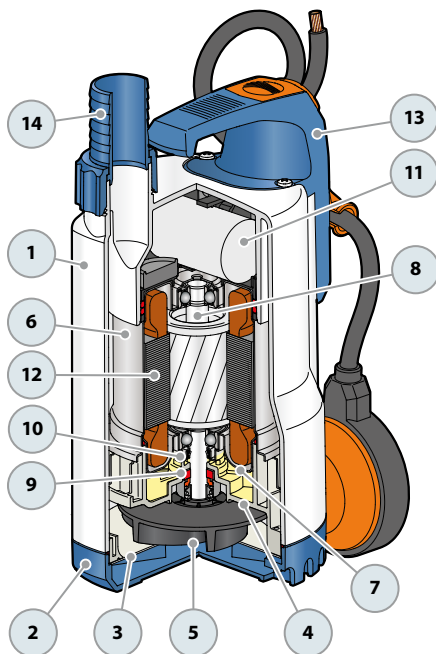
TYPE	NO. OF PUMPS
<b>Single-phase</b>	
<b>TOP 1</b>	96
<b>TOP 2</b>	96
<b>TOP 3</b>	96
<b>TOP 4</b>	60
<b>TOP 5</b>	60

TYPE	NO. OF PUMPS
<b>Single-phase</b>	
<b>TOP 1 - GM</b>	80
<b>TOP 2 - GM</b>	80
<b>TOP 3 - GM</b>	80
<b>TOP 4 - GM</b>	45
<b>TOP 5 - GM</b>	45

## TOP 1-2-3

### MATERIALS AND COMPONENTS

<b>1 Pump body</b>	Technopolymer		
<b>2 Suction filter</b>	Technopolymer		
<b>3 Suction cover</b>	Stainless steel <b>AISI 304</b> (for TOP-LA versions <b>AISI 316L</b> )		
<b>4 Diffuser</b>	Technopolymer		
<b>5 Impeller</b>	Noryl™		
<b>6 Motor sleeve</b>	Stainless steel <b>AISI 304</b> (for TOP-LA versions <b>AISI 316L</b> )		
<b>7 Motor cover</b>	<b>AISI 304</b> stainless steel		
<b>8 Motor shaft</b>	Stainless steel <b>AISI 431</b> (for TOP-LA versions <b>AISI 316L</b> )		
<b>9 Mechanical seal</b>			
Water pump	Seal	Shaft	Materials
TOP 1-2-3	<b>STA-12R</b>	Ø 12 mm	Ceramic / Graphite / NBR
TOP 2-3 LA	<b>AR-12R LA</b>	Ø 12 mm	Ceramic / Graphite / NBR
<b>10 Sealing ring</b>	Ø 12 x Ø 19 x H 5 mm		
<b>11 Capacitor</b>			
<b>12 Electric motor</b>	<b>TOP:</b> single-phase 230 V - 50 Hz with winding integrated thermal motor protection - Continuous duty S1 - Insulation: class F - Protection rating IP X8		
<b>13 Handle group</b>	Complete with - 5 m power cable type 'H07 RN-F' with Schuko plug - Float switch (vertical operation in GM versions)		
<b>14 Ferrule and hose nozzle</b>	Hose connector Ø 25 mm for TOP 1 Ø 35 mm for TOP 2-3		



## TOP 4-5

### MATERIALS AND COMPONENTS

<b>1 Pump body</b>	Technopolymer		
<b>2 Suction filter</b>	Technopolymer		
<b>3 Suction cover</b>	Stainless steel <b>AISI 304</b>		
<b>4 Diffuser</b>	Technopolymer		
<b>5 Impeller</b>	Noryl™		
<b>6 Motor sleeve</b>	Stainless steel <b>AISI 304</b>		
<b>7 Motor cover</b>	Stainless steel <b>AISI 304</b>		
<b>8 Motor shaft</b>	Stainless steel <b>AISI 431</b>		
<b>9 Double mechanical seal with interposed oil chamber</b>			
Seal	Shaft	Location	Materials
<b>MG1-14D SIC</b>	Ø 14 mm	Motor side Pump side	SiC / Graphite / NBR SiC / SiC / NBR
<b>10 Capacitor</b>			
<b>11 Electric motor</b>	<b>TOP:</b> single-phase 230 V - 50 Hz with winding integrated thermal motor protection - Continuous duty S1 - Insulation: class F - Protection rating IP X8		
<b>12 Handle group</b>	Including: - 5 m power cable type 'H07 RN-F' with Schuko plug - Float switch (vertical operation in GM versions)		
<b>13 Sleeve</b>	Threaded technopolymer 1½" with clapet valve		
<b>14 Ferrule and hose nozzle</b>	Hose connector Ø 41 mm		

