

# TOP MULTI-EVO Multi-stage submersible pumps

-  Clean water
-  Domestic use
-  Civil use



TOP MULTI 1 - EVO



TOP MULTI 2-3-4-5 - EVO

## PERFORMANCE RANGE

- Flow rate up to **120 l/min** (7.2 m<sup>3</sup>/h)
- Head up to **52 m**

## INSTALLATION AND USE

**TOP MULTI-EVO** pumps are designed to transfer **clean water** free from abrasive particles and liquids that will not damage the pump's components. Efficient and reliable, they are ideal for domestic applications involving tanks, reservoirs, and deep wells. They are also perfect for collecting rainwater from water tanks (rain barrels) for manual watering or irrigation systems.

## APPLICATION LIMITS

- Maximum operating depth below water level:
  - up to **3 m** for TOP MULTI 1-EVO
  - up to **10 m** for TOP MULTI 2-3-4-5 EVO (with an appropriately sized power cable)
- Liquid temperature up to **+40 °C**
- Draining capability:
  - up to **25 mm** from the bottom for TOP MULTI 1-EVO
  - up to **35 mm** from the bottom for TOP MULTI 2-3-4-5 EVO
- Manometric suction head up to **7 m**

## PATENTS - TRADE MARKS - MODELS

- TOP MULTI® Registered trademark No. 0001334477

## INCLUDES

- ✳ **10 m** power cable
- ✳ Float switch
- ✳ Hose connector **Ø 35 mm**
- ✳ Complete sleeve with clapet valve

## AVAILABLE UPON REQUEST

- ✳ Different voltage requirements 60 Hz frequency
- ✳ **KGE - Floating suction kit**



The KGE kit enables suction about 10 cm below the water surface, avoiding floating debris and sediment, thereby protecting the pump from damage.

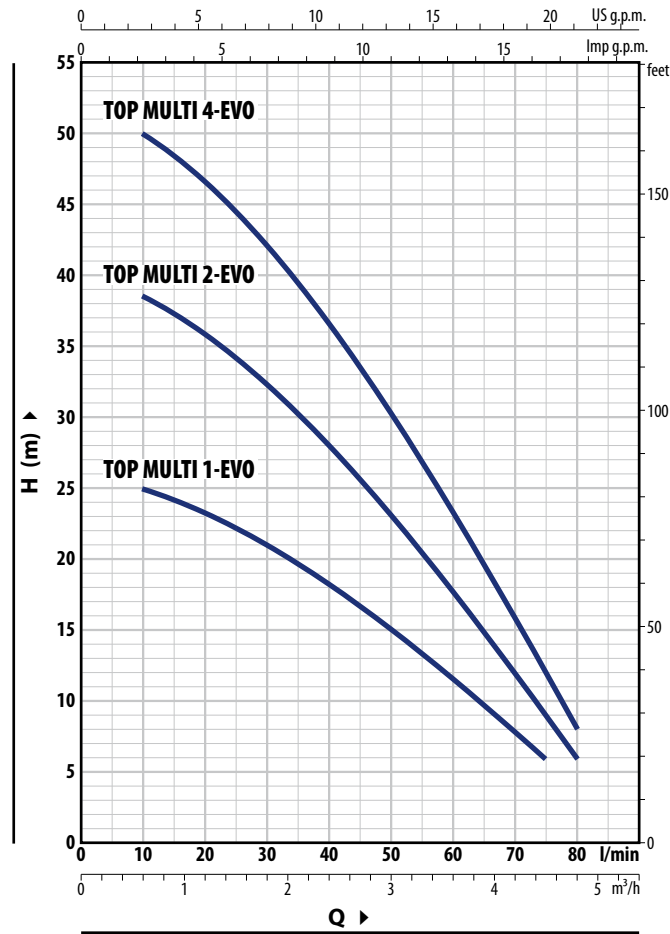
Includes:

- 30 mm PVC spiral hose 1.5 metres long
- stainless steel suction filter
- spherical polyethylene float
- hose fittings Ø 30 mm

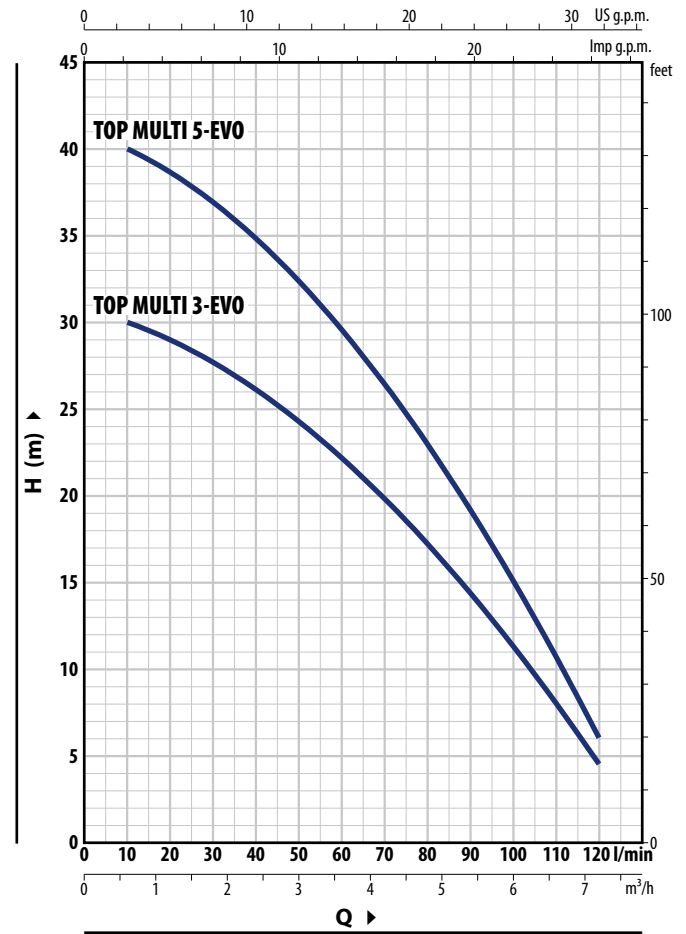
**CURVES AND PERFORMANCE DATA**

**50 Hz**

**TOP MULTI 1-2-4 EVO**



**TOP MULTI 3-5 EVO**



**TOP MULTI 1-2-4 EVO**

TYPE	POWER (P <sub>2</sub> )		Q	Flow rate											
	kW	HP		0	0.6	1.2	1.8	2.4	3.0	3.6	4.2	4.5	4.8		
Single-phase				0	10	20	30	40	50	60	70	75	80		
TOP MULTI 1-EVO	0.37	0.50	H metres	26	25	23.3	21	18.3	15	11.6	8	6			
TOP MULTI 2-EVO	0.55	0.75		40	38.5	36	32.5	28	23	17.7	12	9	6		
TOP MULTI 4-EVO	0.75	1		52	50	46.5	42	36.5	30.5	23.3	15.8	12	8		

**TOP MULTI 3-5 EVO**

TYPE	POWER (P <sub>2</sub> )		Q	Flow rate												
	kW	HP		0	0.6	1.2	1.8	2.4	3.0	3.6	4.2	4.8	5.4	6.0	6.6	7.2
Single-phase				0	10	20	30	40	50	60	70	80	90	100	110	120
TOP MULTI 3-EVO	0.55	0.75	H metres	30.5	30	29	27.5	26	24.3	22.2	19.8	17.2	14.4	11.3	8	4.5
TOP MULTI 5-EVO	0.75	1		41	40	38.5	37	35	32.5	29.5	26.5	23	19.2	15	10.7	6

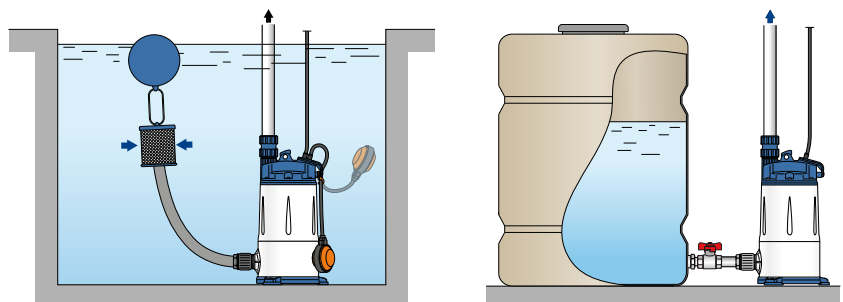
Q = Flow rate H = Total manometric head

Performance curves comply with EN ISO 9906 Grade 3B tolerance limits.

**ABSORPTION**

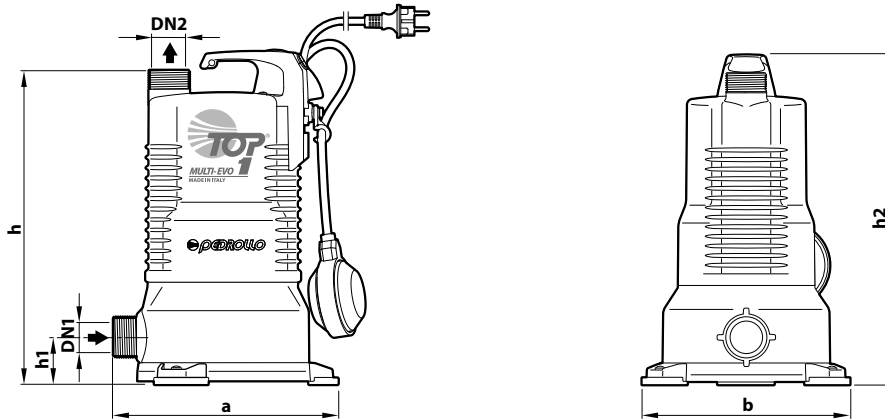
TYPE	VOLTAGE
Single-phase	<b>230 V</b>
TOP MULTI 1-EVO	2.0 A
TOP MULTI 2-EVO	3.4 A
TOP MULTI 3-EVO	3.6 A
TOP MULTI 4-EVO	3.9 A
TOP MULTI 5-EVO	3.9 A

**INSTALLATION EXAMPLES**

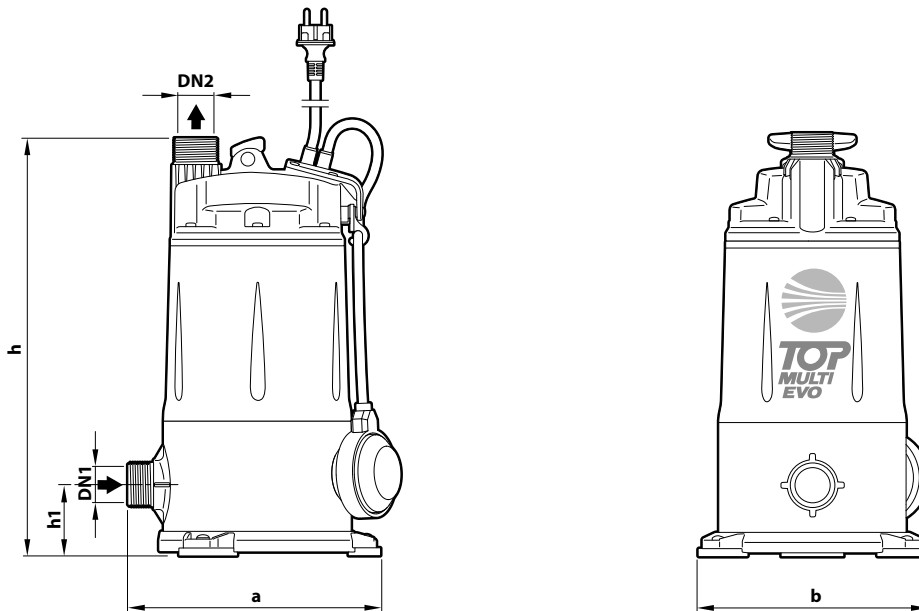


### DIMENSIONS AND WEIGHT

#### TOP MULTI 1 EVO



#### TOP MULTI 2-3-4-5 EVO





TYPE	PORTS		NO. STAGES	DIMENSIONS mm					kg
	DN1	DN2		a	b	h	h1	h2	
TOP MULTI 1-EVO	1 1/4"	1 1/4"	2	227	210	317	49	337	7.1
TOP MULTI 2-EVO			3						
TOP MULTI 3-EVO			3						
TOP MULTI 4-EVO			4						
TOP MULTI 5-EVO			4						
				239	216	394	68	-	9.9
						428			9.9
									10.4
									10.4

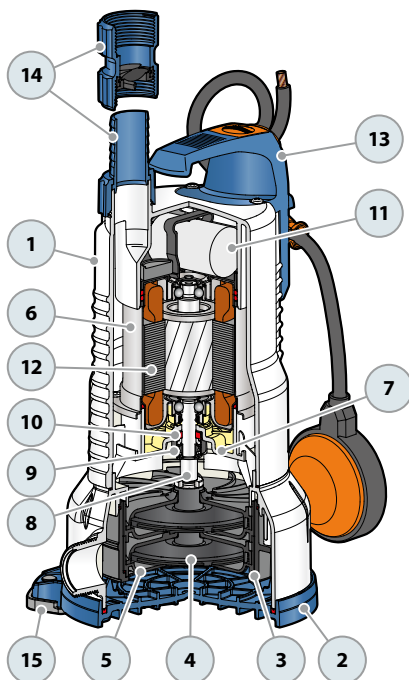
#### PALLET CAPACITY

TYPE	NO. OF PUMPS
TOP MULTI 1-EVO	45
TOP MULTI 2-EVO	45
TOP MULTI 3-EVO	45
TOP MULTI 4-EVO	45
TOP MULTI 5-EVO	45

# TOP MULTI 1 EVO



## MATERIALS AND COMPONENTS

<b>1 Pump body</b>	Technopolymer
<b>2 Base</b>	Technopolymer
<b>3 Containment stages</b>	Technopolymer
<b>4 Impellers</b>	Noryl™
<b>5 Diffusers and stage boxes</b>	Noryl™
<b>6 Motor sleeve</b>	Stainless steel <b>AISI 304</b>
<b>7 Motor cover</b>	Stainless steel <b>AISI 304</b>
<b>8 Motor shaft</b>	Stainless steel <b>AISI 431</b>
<b>9 Mechanical seal</b>	<b>STA-12R</b> Ceramic/Graphite/NBR
<b>10 Shaft seal</b>	Ø 12 x Ø 19 x H 5 mm
<b>11 Capacitor</b>	
<b>12 Electric motor</b>	
<b>13 Handle group</b>	Including: - Float switch - Power cable with Schuko plug
<b>14 Ferrule and hose nozzle</b>	
<b>Sleeve</b> With built-in clapet valve	
<b>15 Anti-vibration feet</b>	



# TOP MULTI 2-3-4-5 EVO

## MATERIALS AND COMPONENTS

<b>1 Delivery port</b>	Technopolymer
<b>2 Suction body</b>	Technopolymer
<b>3 Base</b>	Technopolymer
<b>4 Diffuser vanes</b>	Technopolymer
<b>5 Motor sleeve</b>	Stainless steel <b>AISI 304</b>
<b>6 Impellers</b>	Noryl™
<b>7 Diffusers and stage boxes</b>	Noryl™
<b>8 Motor shaft</b>	Stainless steel <b>AISI 431</b>
<b>9 Double mechanical seal</b>	
<b>STA-13R</b>	Motor side Ceramic/Graphite/NBR
<b>STA-13R SIC</b>	Pump side SIC/Graphite/NBR
<b>10 Capacitor</b>	
<b>11 Electric motor</b>	
<b>12 Power cable</b> with Schuko plug	
<b>13 Float switch</b>	
<b>14 Ferrule and hose nozzle</b>	
<b>Sleeve</b> With built-in clapet valve	
<b>15 Anti-vibration feet</b>	

