

-  Clean water
-  Domestic use
-  Civil use



INSTALLATION AND USE

STEADYPRES is an electronic device that manages and controls both surface and submersible pumps using inverter technology.

STEADYPRESit is designed for water supply in homes, businesses, and for irrigation purposes. Suitable for all kinds of pressurization systems, including existing ones, STEADYPRES enhances comfort, extends the system's lifespan, and significantly reduces energy consumption.

PRODUCT DESCRIPTION

STEADYPRES is connected to the pump's delivery system and regulates the motor's rotation speed by adjusting the voltage and frequency of the output, in response to water flow demand, ensuring constant pressure within the system.

STEADYPRES components:

- electronic frequency converter (inverter);
- pressure and flow sensor;
- user interface with keypad and display to facilitate setting and reading operations;
- integrated and inspectable non-return valve.

STEADYPRES features include:

- ※ A display and keypad for easy, step-by-step setup of operating parameters with two levels of adjustment:
 - BASIC, for setting pressure and current;
 - ADVANCED, for customizing the inverter for specific system needs.
- ※ Internal electronic components are cooled as water flows through the device, helping to dissipate heat.

STEADYPRES protects the pump from:

- ※ Dry running
- ※ Overcurrents
- ※ Overvoltage
- ※ Undervoltage
- ※ Overheating
- ※ Short circuit
- ※ Phase failure in connections (for TT version)

KEY FEATURES

- ※ Easy installation, adjustment and setting.
- ※ Energy saving due to lower absorption of the pump.
- ※ Control of hydraulic and electrical operating parameters and protection against faults.
- ※ Reduced noise operation.
- ※ Longer pump life.

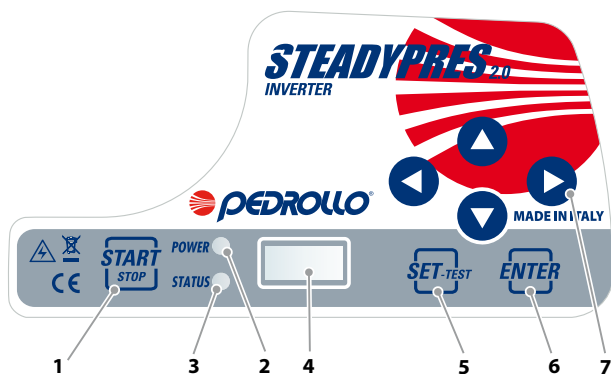
OPTIONAL A RICHIESTA

- ※ **Expansion board**, which allows:
 - RS485 communication to link up to three STEADYPRES inverters and create pumping groups;
 - alternating pump operation;
 - configuration of a dry input contact (e.g. float, double set point);
 - configuration of a dry output contact (e.g. alarm)

TECHNICAL DATA	STEADYPRES MM 11	STEADYPRES MM 16	STEADYPRES MT 10	STEADYPRES TT 6	STEADYPRES TT 8
Power supply voltage	1 ~ 230 V	1 ~ 230 V	1 ~ 230 V	3 ~ 400 V	3 ~ 400 V
Pump motor voltage	1 ~ 230 V	1 ~ 230 V	3 ~ 230 V	3 ~ 400 V	3 ~ 400 V
Permissible voltage variation	± 10%	± 10%	± 10%	± 10%	± 10%
Supply frequency	50/60Hz	50/60Hz	50/60Hz	50/60Hz	50/60Hz
Maximum pump motor current	11 A	16 A	10 A	6 A	8 A
Maximum pump motor power	2 HP (1.5 kW)	3 HP (2.2 kW)	3 HP (2.2 kW)	3 HP (2.2 kW)	4 HP (3 kW)
Setting pressure	1÷10 bar	1÷10 bar	1÷10 bar	1÷10 bar	1÷10 bar
Maximum liquid temperature	+40 °C	+40 °C	+40 °C	+40 °C	+40 °C
Room temperature	0 °C ÷ 40 °C	0 °C ÷ 40 °C	0 °C ÷ 40 °C	0 °C ÷ 40 °C	0 °C ÷ 40 °C
Maximum pressure	10 bar	10 bar	10 bar	10 bar	10 bar
Protection rating	IP 65	IP 65	IP 65	IP 65	IP 65
Weight	3 kg	4 kg	3 kg	4 kg	4 kg

USER INTERFACE

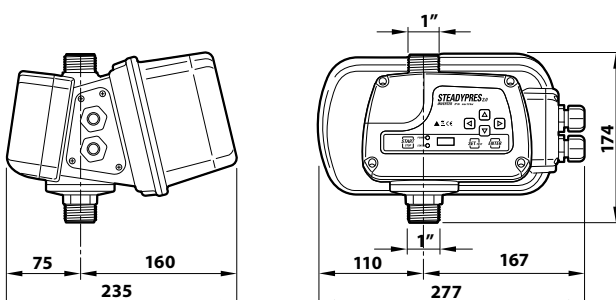
- ※ The keypad makes it easy to access and navigate through configuration menus, allowing you to adjust and view various operating parameters such as system pressure, operating frequency, absorbed current, and alarm messages.
- ※ LED light signals indicate the pump's operating status for quick checking.



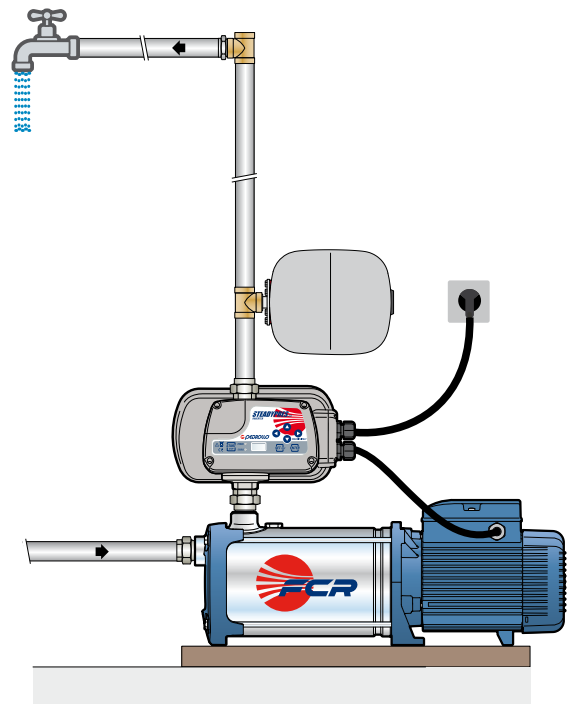
KEY

- | | |
|-----------------------|------------------------------|
| 1) ON/OFF button | 5) SET button |
| 2) Red networking LED | 6) ENTER confirmation button |
| 3) Green run LED | 7) Scroll Arrows |
| 4) Display | |

DIMENSIONS (mm)



TYPICAL INSTALLATION



N.B.: it's advisable to install a membrane EXPANSION TANK downstream of the inverter to:

- ※ decrease pump start frequency
- ※ absorb excess pressure from the system, like water hammer