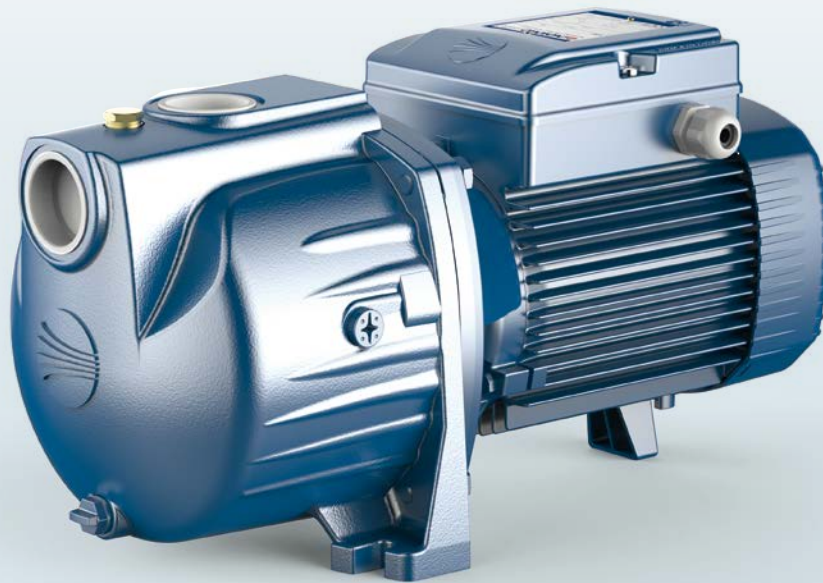


-  Clean water
-  Domestic use
-  Civil use
-  Agricultural use



### PERFORMANCE RANGE

- Flow rate up to **400 l/min** (24.0 m<sup>3</sup>/h)
- Head up to **36 m**

### INSTALLATION AND USE

**SPRINKLER**, a versatile self-priming pump designed to effortlessly draw water, even when air is present in the liquid.

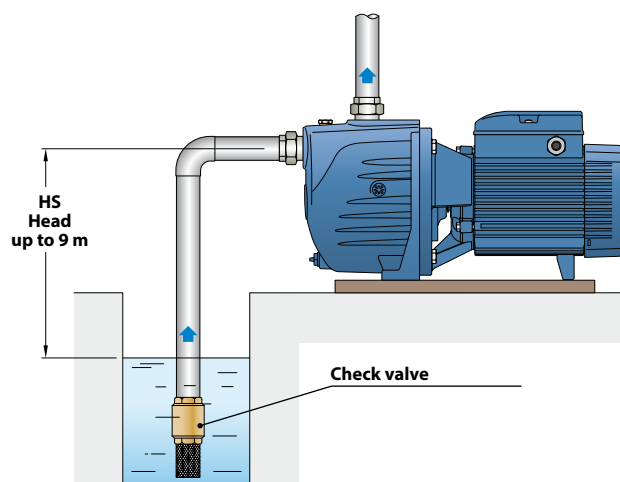
With its reliable performance and user-friendly operation, **SPRINKLER** is ideal for various applications, including domestic, civil, and irrigation.

### APPLICATION LIMITS

- Manometric suction head up to **9 m** (HS)
- Liquid temperature between **-10 °C** and **+40 °C**
- Ambient temperature up to **+40 °C**
- Maximum working pressure **10 bar**

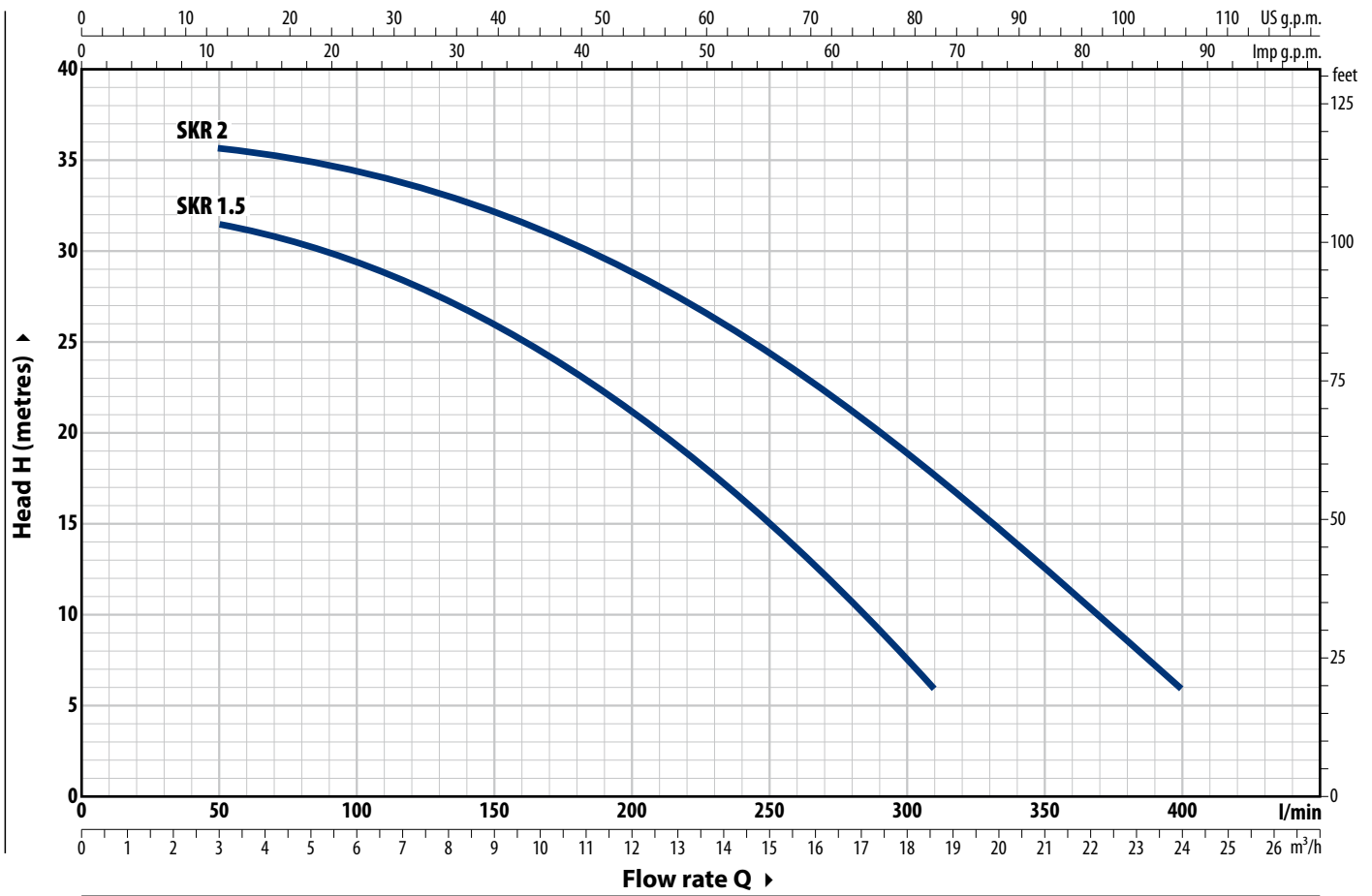
### AVAILABLE UPON REQUEST

- ✘ IPX5 protection
- ✘ Different voltage or frequency



**CURVES AND PERFORMANCE DATA – HS=0 m**

**60 Hz**



TYPE		POWER (P <sub>2</sub> )		3~	Q	m <sup>3</sup> /h													
Single-ph.	Three-ph.	kW	HP			0	3.0	6.0	9.0	12.0	15.0	18.0	18.6	21.0	24.0				
					0	50	100	150	200	250	300	310	350	400					
SKRm 1.5	SKR 1.5	1.1	1.5	IE3	H m	32	31.5	29.5	25.8	21	15	7.5	6						
SKRm 2	SKR 2	1.5	2		36	35.5	34.5	32	29	24.5	19	17.8	12.5	6					

Q = Flow rate H = Total manometric head HS = Suction height

Performance curves comply with EN ISO 9906 Grade 3B tolerance limits.

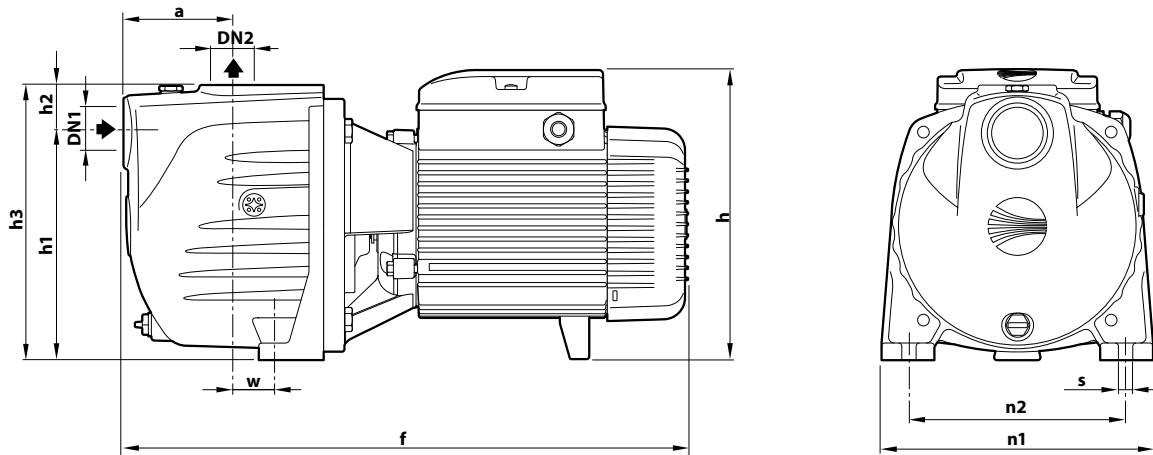
# SPRINKLER

## ABSORPTION

TYPE	VOLTAGE
Single-ph.	220 V
SKRm 1.1	8.7 A
SKRm 1.5	11.0 A

TYPE	VOLTAGE	
	220 V - Δ	380 V - 人
SKR 1.1	6.5 A	3.8 A
SKR 1.5	7.1 A	4.1 A

## DIMENSIONS AND WEIGHT



TYPE		PORTS		DIMENSIONS mm										kg	
Single-ph.	Three-ph.	DN1	DN2	a	f	h	h1	h2	h3	n1	n2	w	s	1~	3~
SKRm 1.5	SKR 1.5	1½" NPT	1½" NPT	91	465	241	186	39	225	223	178	37.5	11	24.5	24.5
SKRm 2	SKR 2													25.8	25.8

## PALLET CAPACITY

TYPE		NO. OF PUMPS
Single-ph.	Three-ph.	
SKRm 1.5	SKR 1.5	35
SKRm 2	SKR 2	35

## MATERIALS AND COMPONENTS

<b>1 Pump body</b>	Cast iron with cathaphoresis treatment, provided with ISO 228/1 threaded ports		
<b>2 Cover</b>	Cast iron with cathaphoresis treatment		
<b>3 Diffuser</b>	Noryl™		
<b>4 Impeller</b>	Noryl™		
<b>5 Mechanical seal</b>	Seal	Shaft	Materials
	<b>FN-18</b>	Ø 18 mm	Graphite / Ceramic / NBR
<b>6 Motor shaft</b>	Stainless steel <b>AISI 431</b>		
<b>7 Electric motor</b>	<p><b>SKRm:</b> single-phase 220 V - 60 Hz with winding integrated thermal motor protection</p> <p><b>SKR:</b> three-phase 220/380 V - 60 Hz</p> <ul style="list-style-type: none"> <li>– The three-phase pumps are fitted with high performance motors in class IE3 (IEC 60034-30-1)</li> <li>– Continuous running duty S1</li> <li>– Insulation: class F</li> <li>– Protection rating: IP X4</li> </ul>		

