

PRESFLO VARIO

Automatic control device



TECHNICAL DATA

TYPE	P ₂		Power supply		Continuous duty current
	kW	HP	Volt	Hz	
Single-phase	1.5	2	230	50/60	13 A
PRESFLO VARIO	1.5	2	230	50/60	13 A



STANDBY



DRY-RUN PROTECTION



EXCESSIVE STARTS

PRESFLO VARIO features 2 LED indicators to show the system's operating status and alerting to any issues through blinking patterns. A guide on the user interface helps to identify specific problems indicated by the LEDs.

INSTALLATION AND USE

PRESFLO VARIO is an electronic device designed to control and protect single-phase domestic pumps with a power capacity of up to 2 HP. It is ideal for water supply and pressure boosting in residential settings, as well as for small-scale irrigation applications.

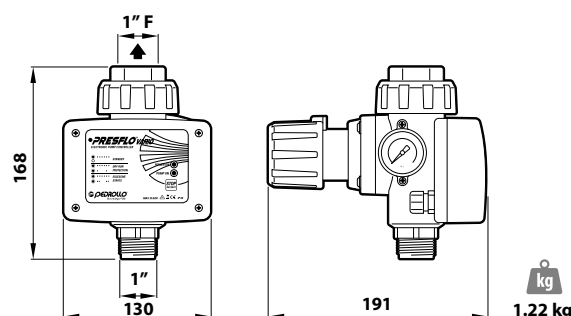
PRODUCT DESCRIPTION

- ✳ **PRESFLO VARIO** features a pressure sensor and a flow sensor linked to an electronic system that automatically activates the pump when a faucet's opening lowers the pressure below a specified level and deactivates it when the flow stops or dips under **2 l/min**.
- ✳ **Adjustable restart pressure ranging from 0.8 bar to 2.4 bar**.
- ✳ **PRESFLO VARIO** is also equipped with:
 - Pressure Gauge
 - Integrated micro-accumulation enables operation even without an expansion tank, though the use of a **1SF tank is recommended**;

The integrated electronics protect the pump from:

- ✳ dry running
- ✳ frequent start-ups due to leaks in the system.

DIMENSIONS AND WEIGHT



PERFORMANCE RANGE

- ✳ Maximum volume capacity: **170 l/min** (10 m³/h)
- ✳ Restart pressure: **adjustable** (factory setting **1.5 bar**)

APPLICATION LIMITS

- ✳ Liquid temperature up to **+40 °C**
- ✳ Ambient temperature up to **+40 °C**
- ✳ Maximum operating pressure **10 bar**
- ✳ Protection rating: **IP 65**

PERFORMANCE AND SAFETY STANDARDS

The electronic circuit board inside the **PRESFLO VARIO** has passed the most rigorous **EMC tests** for electromagnetic compatibility.

AVAILABLE UPON REQUEST

- ✳ Version with power cable with Schuko plug and pump connection cable

ADJUSTMENT

PRESFLO VARIO has a knob for quick and intuitive adjustment of the restart pressure from a minimum of **0.8 bar** to a maximum of **2.4 bar**

