



Civil use

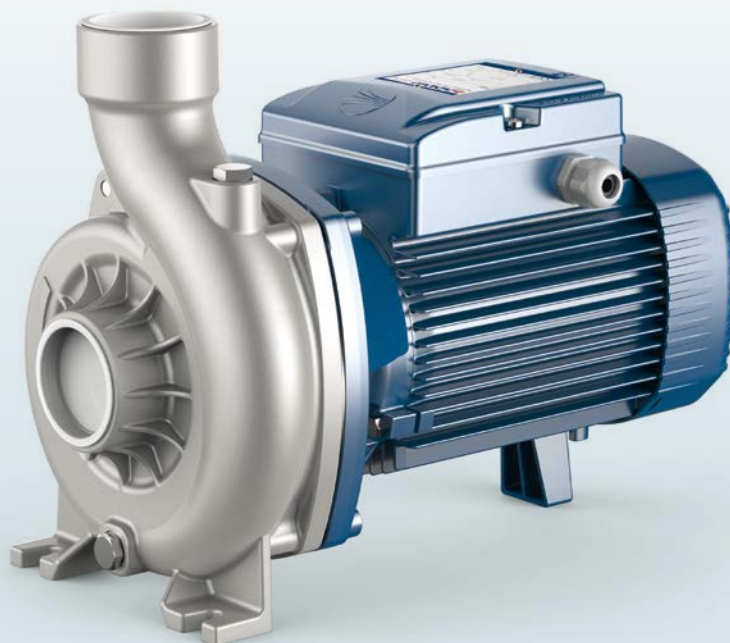


Agricultural use



Industrial use

※ Pump entirely made of  
AISI316 stainless steel



### PERFORMANCE RANGE

- Flow rate up to **850 l/min** (51 m<sup>3</sup>/h)
- Head up to **20.5 m**

### INSTALLATION AND USE

Designed to transfer liquids that will not damage the pump's components, NGA-PRO pumps feature an open impeller design. This allows them to efficiently handle impurity-laden fluids without clogging, making them ideal for various applications including transfers from channels, rivers, tanks, basins, and more.

All components in contact with pumped liquids are constructed from **AISI 316** stainless steel.

NGA-PRO pumps are particularly suitable for pumping non-entirely clean liquids, facilitating the movement of solid particles up to **20 mm** in size.

### APPLICATION LIMITS

- Manometric suction head up to **7 m**
- Liquid temperature between **-10 °C** and **+90 °C**
- Ambient temperature between **-10 °C** and **+40 °C**
- Maximum working pressure:
  - **6 bar** for NGA1-PRO and NGA2-PRO
  - **10 bar** for NGA3-PRO
- Passing solid in suspension up to:
  - **Ø 12 mm** for NGA1-PRO and NGA2-PRO
  - **Ø 20 mm** for NGA3-PRO

### AVAILABLE UPON REQUEST

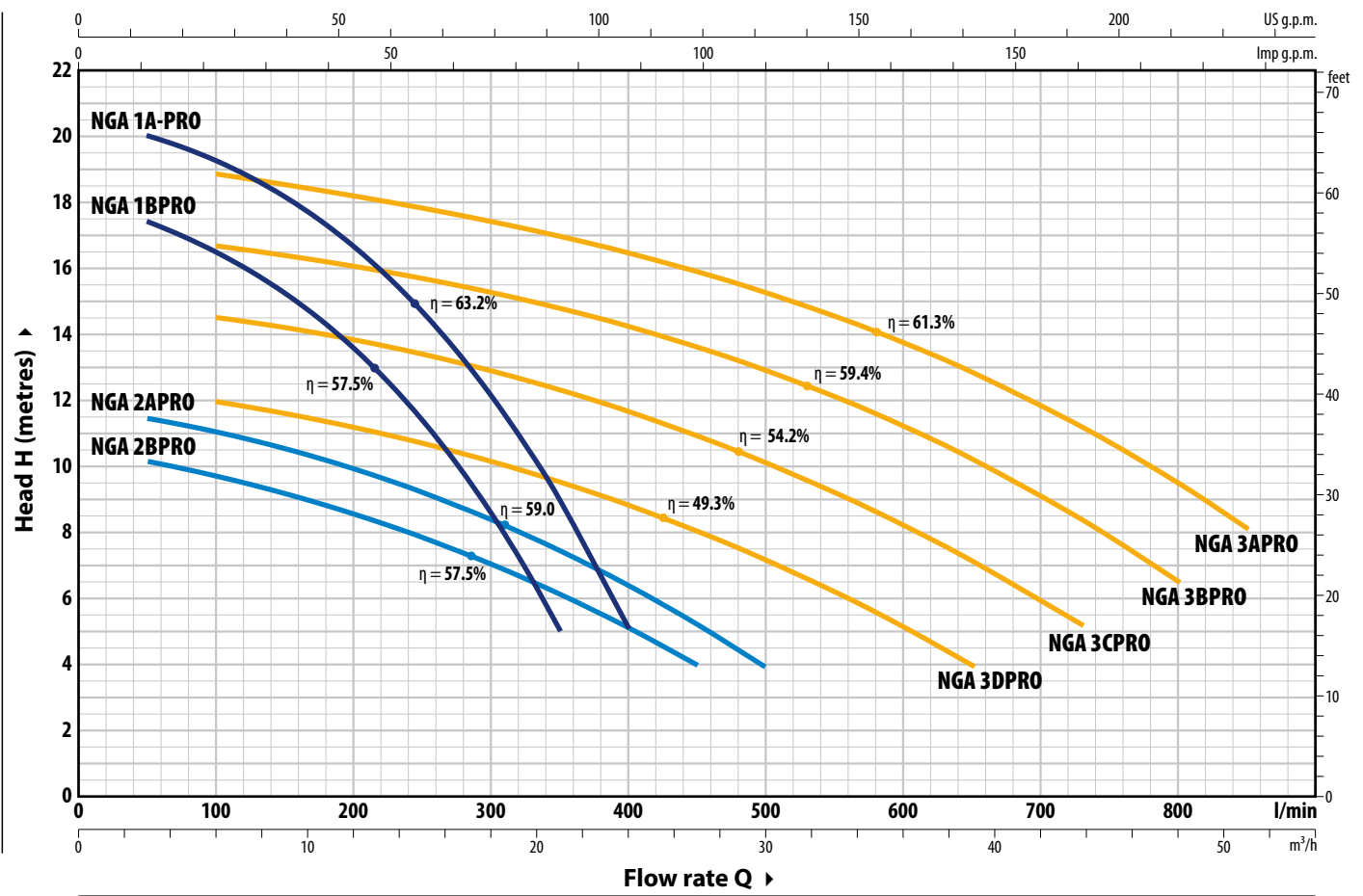
- ※ Mechanical seal options available
- ※ Pump body with NPT threaded ports ANSI B 1.20.1
- ※ On request up to **110 °C**
- ※ **IP X5** protection for **NGA 3-PRO**
- ※ Different voltage or frequency

- ※ ISO 228/1 standard flanges for suction and discharge openings, made of AISI 304 stainless steel



**CURVES AND PERFORMANCE DATA – HS=0 m**

**60 Hz**



TYPE		POWER (P <sub>2</sub> )		3~	Q	Flow rate											
Single-phase	Three-phase	kW	HP			m <sup>3</sup> /h	0	3	6	9	12	15	18	21	24		
NGAm 1B - PRO	NGA 1B - PRO	0.55	0.75	IE3	H m	0	50	100	150	200	250	300	350	400			
NGAm 1A - PRO	NGA 1A - PRO	0.75	1			18	17.4	16.4	15.2	13.5	11.3	8.7	5				
						20.5	20	19.3	18.1	16.6	14.7	12.1	9	5			

TYPE		POWER (P <sub>2</sub> )		3~	Q	Flow rate														
Single-phase	Three-phase	kW	HP			m <sup>3</sup> /h	0	3	6	12	18	24	27	30	39	43,8	48	51		
NGAm 2B - PRO	NGA 2B - PRO	0.55	0.75	IE3	H m	0	50	100	200	300	400	450	500	650	730	800	850			
NGAm 2A - PRO	NGA 2A - PRO	0.75	1			10.5	10.1	9.6	8.5	7	5.1	4								
NGAm 3D - PRO	NGA 3D - PRO	1.1	1.5			11.8	11.4	11	9.9	8.4	6.4	5.2	4							
NGAm 3C - PRO	NGA 3C - PRO	1.5	2			12.5	-	12	11.2	10.1	8.8	8	7.1	4						
NGAm 3B - PRO	NGA 3B - PRO	1.8	2.5			15	-	14.5	13.8	12.8	11.6	10.9	10.1	7.1	5.2					
NGAm 3A - PRO	NGA 3A - PRO	2.2	3			17.2	-	16.7	16	15.2	14.2	13.6	12.9	10.2	8.4	6.5				
						19.5	-	18.8	18.1	17.4	16.4	15.8	15.2	12.8	11.1	9.4	8			

Q = Flow rate H = Total manometric head HS = Suction height

Performance curves comply with EN ISO 9906 Grade 3B tolerance limits.

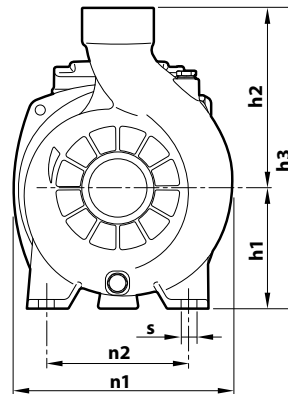
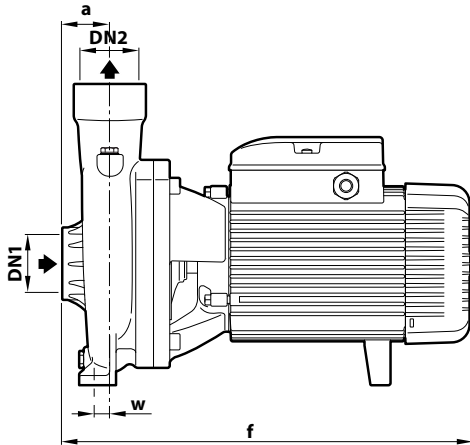
# NGA-PRO

## ABSORPTION

TYPE	VOLTAGE	
	220 V	110 V
Single-phase		
NGAm 1B - PRO	5.3 A	10.6 A
NGAm 1A - PRO	6.2 A	13.0 A
NGAm 2B - PRO	4.3 A	8.6 A
NGAm 2A - PRO	4.7 A	9.4 A
NGAm 3D - PRO	7.0 A	-
NGAm 3C - PRO	9.5 A	-
NGAm 3B - PRO	11.0 A	-
NGAm 3A - PRO	13.0 A	-

TYPE	VOLTAGE	
	220 V - Δ	380 V - Δ
Three-phase		
NGA 1B - PRO	3.4 A	2.0 A
NGA 1A - PRO	3.9 A	2.3 A
NGA 2B - PRO	2.7 A	1.6 A
NGA 2A - PRO	3.0 A	1.7 A
NGA 3D - PRO	4.8 A	2.8 A
NGA 3C - PRO	6.0 A	3.5 A
NGA 3B - PRO	7.2 A	4.2 A
NGA 3A - PRO	8.4 A	4.9 A

## DIMENSIONS AND WEIGHT

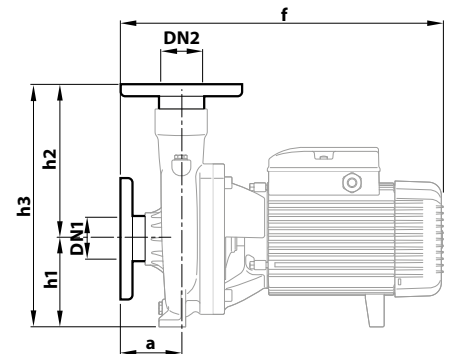


### ※ WITH THREADED PORTS

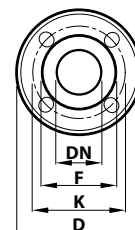
TYPE		PORTS		DIMENSIONS mm									kg	
Single-phase	Three-phase	DN1	DN2	a	f	h1	h2	h3	n1	n2	w	s	1~	3~
NGAm 1B - PRO	NGA 1B - PRO	1½"	1½"	40	299	92	135	227	190	160	6	11	12.7	12.7
NGAm 1A - PRO	NGA 1A - PRO												12.7	12.7
NGAm 2B - PRO	NGA 2B - PRO			12.7									12.7	
NGAm 2A - PRO	NGA 2A - PRO			12.7									12.7	
NGAm 3D - PRO	NGA 3D - PRO	2"	2"	48	387	120	178	298	217	140	18	11.5	22.0	21.2
NGAm 3C - PRO	NGA 3C - PRO												22.9	22.9
NGAm 3B - PRO	NGA 3B - PRO			25.4									25.5	
NGAm 3A - PRO	NGA 3A - PRO			25.5									25.5	

### ※ WITH FLANGED PORTS

TYPE		PORTS		DIMENSIONS mm					
Single-phase	Three-phase	DN1	DN2	a	f	h1	h2	h3	
NGAm 1B - PRO	NGA 1B - PRO	40	40	60	334	92	156	248	
NGAm 1A - PRO	NGA 1A - PRO								
NGAm 2B - PRO	NGA 2B - PRO			52					342
NGAm 2A - PRO	NGA 2A - PRO								
NGAm 3D - PRO	NGA 3D - PRO	50	50	70	408	120	200	320	
NGAm 3C - PRO	NGA 3C - PRO								
NGAm 3B - PRO	NGA 3B - PRO			428					
NGAm 3A - PRO	NGA 3A - PRO								



FLANGE	D	K	F	HOLES	
DN	mm	mm	mm	N°	Ø (mm)
40	150	110	78	4	18
50	165	125	99	4	18



## MATERIALS AND COMPONENTS

**1 Pump body** Stainless steel **AISI 316** with ISO 228/1 threaded ports

**2 Cover** Stainless steel **AISI 316**

**3 Impeller** Open impeller in **AISI 316** stainless steel

4 Mechanical seal	Water pump	Seal	Shaft	Materials
	NGA1-PRO	<b>AR-14S</b>	Ø 14 mm	Ceramic / Graphite / Viton
	NGA2-PRO	<b>FN-18 V6</b>	Ø 18 mm	Graphite / Ceramic / Viton
	NGA3-PRO	<b>FN-18 V6</b>	Ø 18 mm	Graphite / Ceramic / Viton

**5 Motor shaft** Stainless steel **AISI 316L**

**6 Electric motor** **NGAm-PRO**: single-phase 220 V - 60 Hz with winding integrated thermal motor protection  
**NGA-PRO**: three-phase 220/380 V - 60 Hz  
 – The three-phase pumps are fitted with high performance motors in class IE3 (IEC 60034-30-1)  
 – Continuous running duty **S1**

