



※ Pump entirely made of
AISI316 stainless steel



PERFORMANCE RANGE

- Flow rate up to **900 l/min** (54 m³/h)
- Head up to **20.5 m**

INSTALLATION AND USE

Designed to transfer liquids that will not damage the pump's components, NGA-PRO pumps feature an open impeller design. This allows them to efficiently handle impurity-laden fluids without clogging, making them ideal for various applications including transfers from channels, rivers, tanks, basins, and more.

All components in contact with pumped liquids are constructed from **AISI 316** stainless steel.

NGA-PRO pumps are particularly suitable for pumping non-entirely clean liquids, facilitating the movement of solid particles up to **20 mm** in size.

ELECTRIC MOTOR

The three-phase pumps are equipped with newly developed electric motors designed to work with inverters, which guarantee stable and quiet operation.

Efficiency class **IE3** for three-phase motors and **IE2** for single-phase motors, with class F insulation and IPX4 protection.

APPLICATION LIMITS

- Manometric suction head up to **7 m**
- Liquid temperature between **-10 °C** and **+90 °C**
- Ambient temperature between **-10 °C** and **+40 °C**
- Maximum working pressure:
 - **6 bar** for NGA1-PRO and NGA2-PRO
 - **10 bar** for NGA3-PRO
- Passing solid in suspension up to:
 - **Ø 12 mm** for NGA1-PRO and NGA2-PRO
 - **Ø 20 mm** for NGA3-PRO

AVAILABLE UPON REQUEST

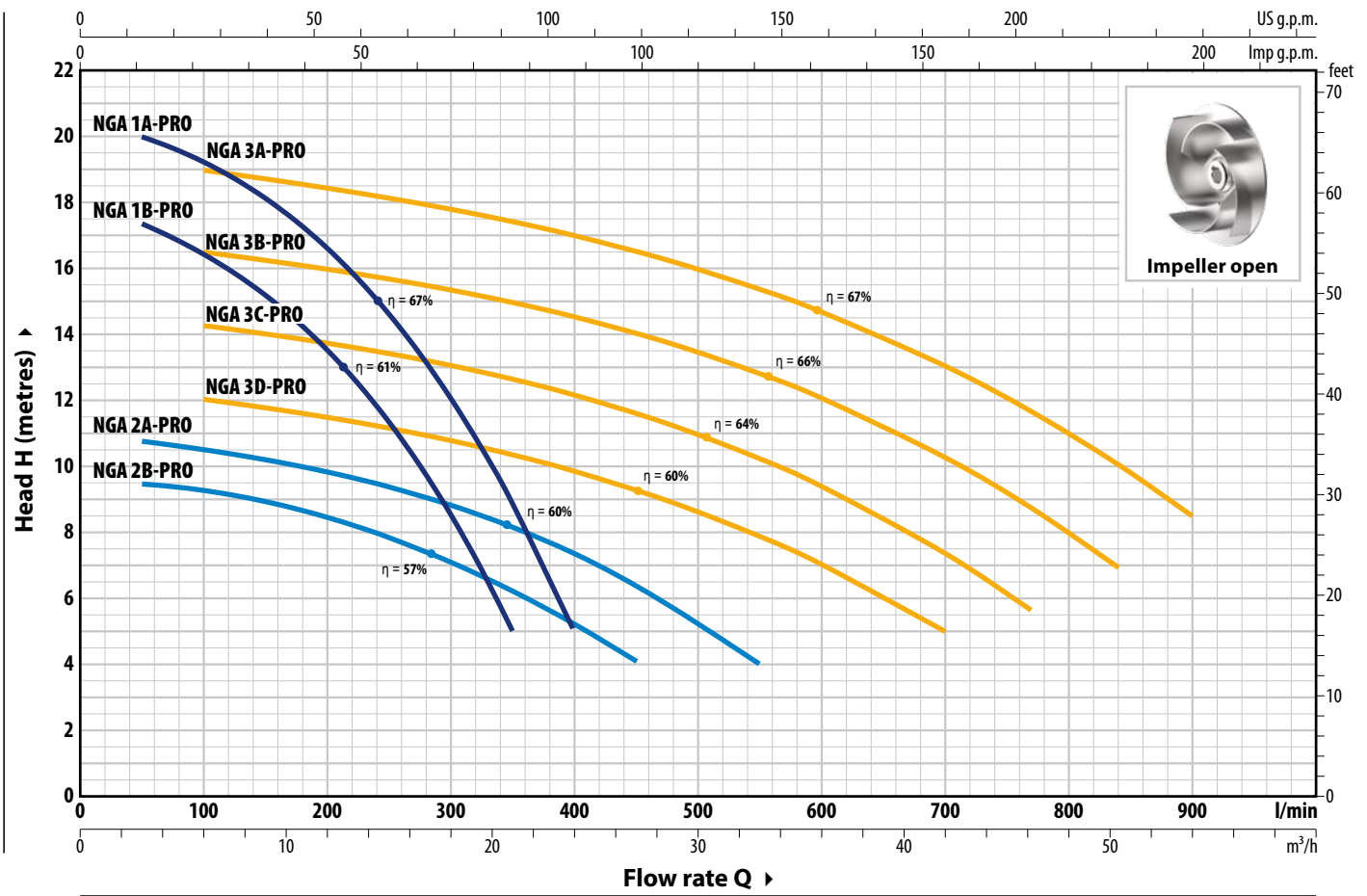
- ※ Mechanical seal options available
- ※ Standardised mechanical seal with anti-rotation (NGA3-PRO)
- ※ Pump body with NPT threaded ports ANSI B 1.20.1
- ※ On request up to **110 °C**
- ※ **IP X5** protection for **NGA 3-PRO**
- ※ Different voltage requirements 60 Hz frequency

- ※ ISO 228/1 standard flanges for suction and discharge openings, made of AISI 304 stainless steel



CURVES AND PERFORMANCE DATA – HS=0 m

50 Hz



TYPE		POWER (P ₂)		1~3~	Q	Flow rate									
Single-phase	Three-phase	kW	HP			m³/h	0	3	6	9	12	15	18	21	24
NGAm 1B - PRO	NGA 1B - PRO	0.55	0.75	IE2 IE3	H metres	0	50	100	150	200	250	300	350	400	
NGAm 1A - PRO	NGA 1A - PRO	0.75	1			18	17.4	16.4	15.2	13.5	11.3	8.7	5		
						20.5	20	19.3	18.1	16.6	14.7	12.1	9	5	

TYPE		POWER (P ₂)		1~3~	Q	Flow rate													
Single-phase	Three-phase	kW	HP			m³/h	0	3	6	12	18	24	27	33	42	46	51	54	
NGAm 2B - PRO	NGA 2B - PRO	0.55	0.75	IE2 IE3	H metres	0	50	100	200	300	400	450	550	700	770	840	900		
NGAm 2A - PRO	NGA 2A - PRO	0.75	1			9.5	9.4	9.3	8.4	7	5.2	4							
NGAm 3D - PRO	NGA 3D - PRO	1.1	1.5			11	10.8	10.5	9.8	8.8	7.4	6.4	4						
NGAm 3C - PRO	NGA 3C - PRO	1.5	2			12.5	-	12	11.5	10.8	9.8	9.3	7.8	5					
NGAm 3B - PRO	NGA 3B - PRO	1.8	2.5			14.8	-	14.4	13.8	13.1	12.2	11.7	10.3	7.4	5.7				
NGAm 3A - PRO	NGA 3A - PRO	2.2	3			17	-	16.5	16	15.3	14.5	14	12.8	10.3	8.8	7			
						19.5	-	19	18.4	17.8	17	16.5	15.4	13	11.5	10	8.5		

Q = Flow rate H = Total manometric head HS = Suction height

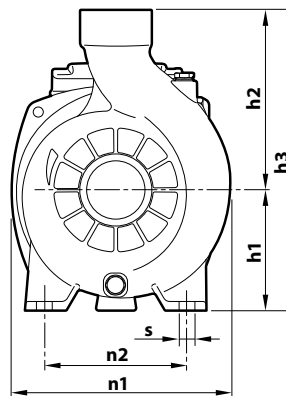
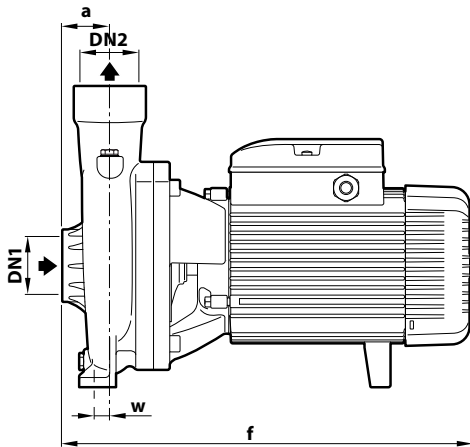
Performance curves comply with EN ISO 9906 Grade 3B tolerance limits.

ABSORPTION

TYPE	VOLTAGE
Single-phase	230 V
NGAm 1B - PRO	5.5 A
NGAm 1A - PRO	6.0 A
NGAm 2B - PRO	5.0 A
NGAm 2A - PRO	5.7 A
NGAm 3D - PRO	7.5 A
NGAm 3C - PRO	9.5 A
NGAm 3B - PRO	10.5 A
NGAm 3A - PRO	12.5 A

TYPE	VOLTAGE	
Three-phase	230 V - Δ	400 V - Δ
NGA 1B - PRO	3.8 A	2.2 A
NGA 1A - PRO	4.2 A	2.4 A
NGA 2B - PRO	3.5 A	2.0 A
NGA 2A - PRO	4.0 A	2.3 A
NGA 3D - PRO	5.0 A	2.9 A
NGA 3C - PRO	6.1 A	3.5 A
NGA 3B - PRO	7.8 A	4.5 A
NGA 3A - PRO	8.3 A	4.8 A

DIMENSIONS AND WEIGHT

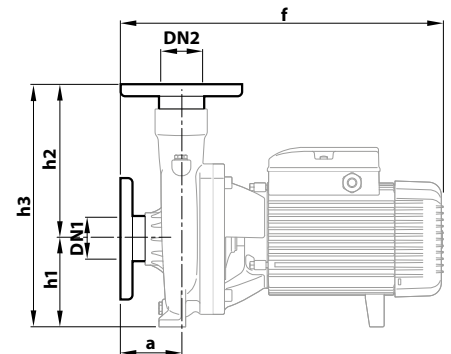


※ WITH THREADED PORTS

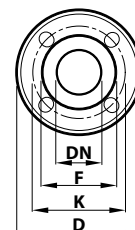
TYPE		PORTS		DIMENSIONS mm										kg	
Single-phase	Three-phase	DN1	DN2	a	f	h1	h2	h3	n1	n2	w	s	1~	3~	
NGAm 1B - PRO	NGA 1B - PRO	1½"	1½"	40	299	92	135	227	190	160	6	11	12.7	12.7	
NGAm 1A - PRO	NGA 1A - PRO												12.7	12.7	
NGAm 2B - PRO	NGA 2B - PRO			12.7									12.7		
NGAm 2A - PRO	NGA 2A - PRO			12.7									12.7		
NGAm 3D - PRO	NGA 3D - PRO	2"	2"	48	387	120	178	298	217	140	18	11.5	22.0	21.2	
NGAm 3C - PRO	NGA 3C - PRO												22.9	22.9	
NGAm 3B - PRO	NGA 3B - PRO			25.4									25.5		
NGAm 3A - PRO	NGA 3A - PRO			25.5									25.5		

※ WITH FLANGED PORTS

TYPE		PORTS		DIMENSIONS mm					
Single-phase	Three-phase	DN1	DN2	a	f	h1	h2	h3	
NGAm 1B - PRO	NGA 1B - PRO	40	40	60	334	92	156	248	
NGAm 1A - PRO	NGA 1A - PRO								
NGAm 2B - PRO	NGA 2B - PRO			52					342
NGAm 2A - PRO	NGA 2A - PRO								
NGAm 3D - PRO	NGA 3D - PRO	50	50	70	408	120	200	320	
NGAm 3C - PRO	NGA 3C - PRO								
NGAm 3B - PRO	NGA 3B - PRO			428					
NGAm 3A - PRO	NGA 3A - PRO								



FLANGE	D	K	F	HOLES	
DN	mm	mm	mm	N°	Ø (mm)
40	150	110	78	4	18
50	165	125	99	4	18



MATERIALS AND COMPONENTS

1 Pump body Stainless steel **AISI 316** with ISO 228/1 threaded ports

2 Cover Stainless steel **AISI 316**

3 Impeller Open impeller in **AISI 316** stainless steel (from January 2024)

4 Mechanical seal	Water pump	Seal	Shaft	Materials
	NGA1-PRO	AR-14S	Ø 14 mm	Ceramic / Graphite / Viton
	NGA2-PRO			
	NGA3-PRO	FN-18 V6	Ø 18 mm	Graphite / Ceramic / Viton

5 Motor shaft Stainless steel **AISI 316L**

6 Electric motor **NGAm-PRO**: single-phase 230 V - 50Hz with winding integrated thermal motor protection
NGA-PRO: three-phase 230/400 V - 50 Hz
 ※ Pumps are equipped with high-efficiency motors (IEC 60034-30-1)
 class **IE2** for single-phase models
 class **IE3** for three-phase models
 Continuous running duty **S1**

