



※ For pools up to 180 m<sup>3</sup>



- ※ Robust electric pumps constructed with high-quality components and thick materials for extended durability and quiet operation.
- ※ High water flow rate paired with low energy consumption.
- ※ Double insulation between the pump and electric motor ensures maximum safety, with the pump/motor shaft always insulated from water.

- ※ Pre-filter equipped with a transparent cover for easy visual inspection, featuring an extra-large filter basket to reduce cleaning frequency.
- ※ High resistance to heat, chemicals, and salt corrosion.
- ※ Supplied with 2" GAS threaded ISO 228/1 and inner diameter Ø 63 mm straight fittings. AISI 316 screws.

### PERFORMANCE RANGE

- Flow rate up to **700 l/min** (42 m<sup>3</sup>/h)
- Head up to **28 m**

### AVAILABLE UPON REQUEST

- ※ Different voltage or frequency
- ※ Straight connection fitting **2" BS**
- ※ Threaded connection fitting **2" NPT**

### INSTALLATION AND USE

Self-priming pump with a built-in filter, designed for water circulation in residential swimming pools up to 180 m<sup>3</sup>.

### PATENTS - TRADE MARKS - MODELS

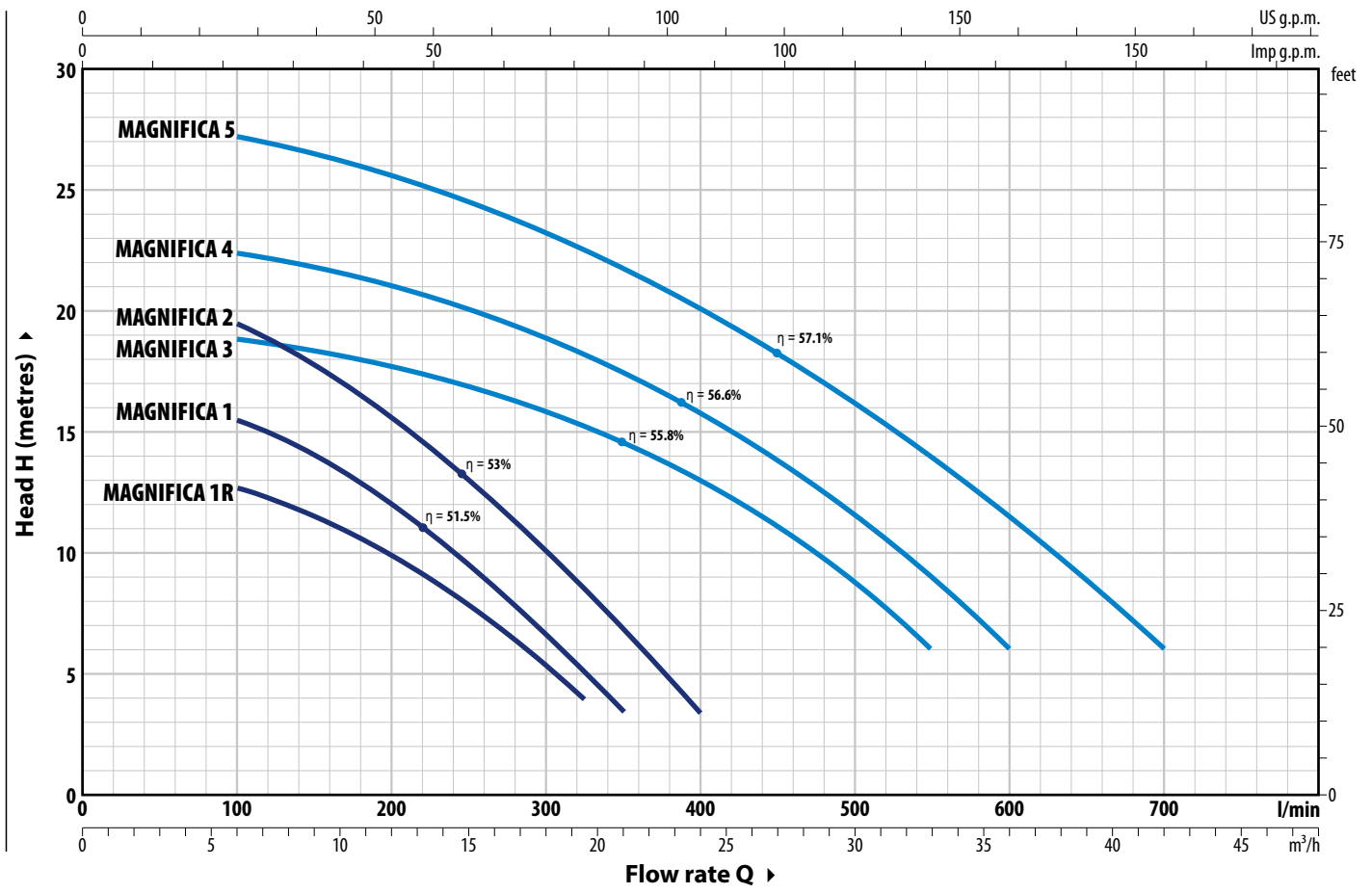
- **MAGNIFICA**® Registered trademark no. 018159079
- Registered Community Model No. 007671839

### APPLICATION LIMITS

- Swimming pool water (pH 6.5-8.4).
- Manometric suction head up to **4 m** (HS)
- Liquid temperature up to **+45 °C**
- Ambient temperature up to **+50 °C**
- Maximum working pressure **2.5 bar**

**CURVES AND PERFORMANCE DATA – HS=0 m**

**60 Hz**



TYPE		POWER (P <sub>2</sub> )		3~	Q	m <sup>3</sup> /h															
Single-phase	Three-phase	kW	HP			0	6	9	12	15	18	19.5	21	24	33	36	42				
					0	100	150	200	250	300	325	350	400	550	600	700					
MAGNIFICA 1Rm	MAGNIFICA 1R	0.45	0.60	IE3	H m	13.7	12.7	11.5	9.9	7.9	5.4	4									
MAGNIFICA 1m	MAGNIFICA 1	0.55	0.75			16.5	15.5	14	12	9.5	6.6	5.1	3.5								
MAGNIFICA 2m	MAGNIFICA 2	0.75	1			21	19.5	17.9	15.7	13.1	10.1	8.5	6.9	3.5							
MAGNIFICA 3m	MAGNIFICA 3	1.1	1.5			19.3	18.6	18.1	17.5	16.8	15.8	15.2	14.5	13	6						
MAGNIFICA 4m	MAGNIFICA 4	1.5	2			23	22.3	21.8	21.1	20.1	19	18.2	17.6	15.9	9	6					
MAGNIFICA 5m	MAGNIFICA 5	2.2	3			28	27.1	26.4	25.5	24.4	23.2	22.5	21.7	20.1	14	11.5	6				

Q = Flow rate H = Total manometric head HS = Suction height

Performance curves comply with EN ISO 9906 Grade 3B tolerance limits.

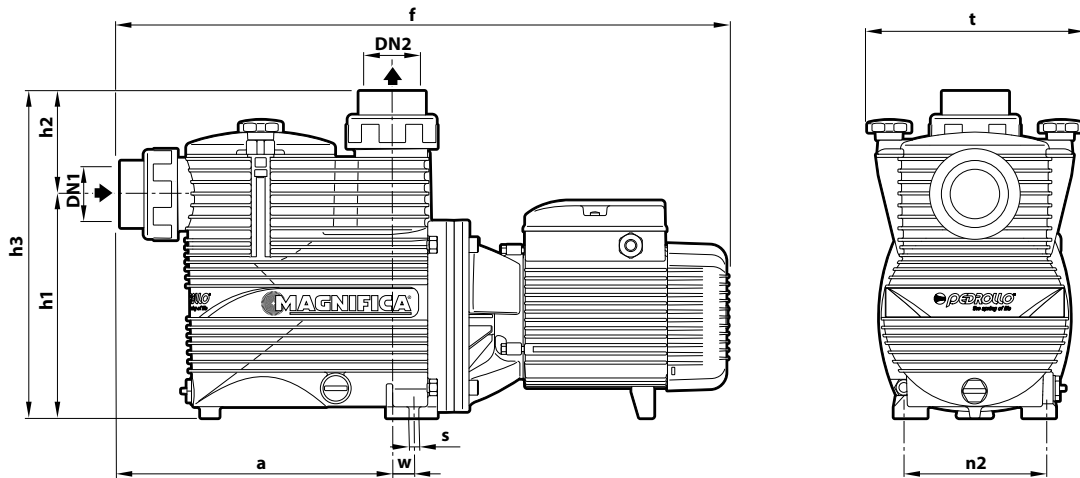
# MAGNIFICA

## ABSORPTION

TYPE	VOLTAGE	
	220 V	110 V
Single-phase		
MAGNIFICA 1Rm	4.6 A	9.2 A
MAGNIFICA 1m	5.0 A	10.0 A
MAGNIFICA 2m	6.3 A	13.0 A
MAGNIFICA 3m	9.6 A	-
MAGNIFICA 4m	11.3 A	-
MAGNIFICA 5m	14.0 A	-

TYPE	VOLTAGE	
	220 V - Δ	380 V - 人
Three-phase		
MAGNIFICA 1R	3.5 A	2.0 A
MAGNIFICA 1	3.8 A	2.2 A
MAGNIFICA 2	4.7 A	2.7 A
MAGNIFICA 3	7.3 A	4.2 A
MAGNIFICA 4	8.0 A	4.6 A
MAGNIFICA 5	9.0 A	5.2 A

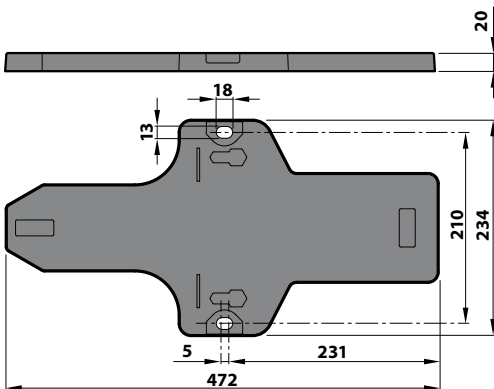
## DIMENSIONS AND WEIGHT



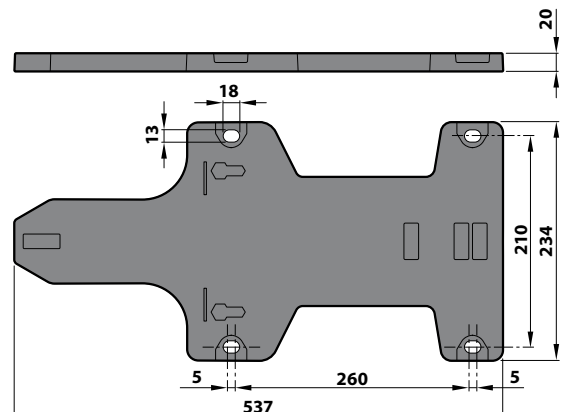
TYPE		PORTS		DIMENSIONS mm									kg	
Single-phase	Three-phase	DN1	DN2	a	f	h1	h2	h3	n1	w	s	t	1~	3~
MAGNIFICA 1Rm	MAGNIFICA 1	2"	2"	294	583	240	113	353	155	4.3	10.5	235	14.1	14.1
MAGNIFICA 1m	MAGNIFICA 1												14.1	14.1
MAGNIFICA 2m	MAGNIFICA 2												15.0	15.0
MAGNIFICA 3m	MAGNIFICA 3			294	657	240	113	353	155	15.8	10.5	235	19.4	19.4
MAGNIFICA 4m	MAGNIFICA 4												20.6	20.6
MAGNIFICA 5m	MAGNIFICA 5												23.3	23.3

## BASEMENT (mm)

### Stand for MAGNIFICA 1-2



### Stand for MAGNIFICA 3-4-5



## MATERIALS AND COMPONENTS

<b>1 Pump body</b>	Glass-fibre reinforced polypropylene with ISO 228/1 threaded ports			
<b>2 Seal insert</b>	Glass-fibre reinforced polypropylene			
<b>3 Diffuser</b>	Noryl™			
<b>4 Impeller</b>	Noryl™			
<b>5 Mechanical seal</b>	Water pump	Seal	Shaft	Materials
	MAGNIFICA 1-2	<b>AR-17</b>	Ø 17	Ceramic / Graphite / NBR
	MAGNIFICA 3-4-5	<b>AR-20R</b>	Ø 20	Ceramic / Graphite / NBR
<b>6 Motor shaft</b>	Stainless steel <b>AISI 431</b>			
<b>7 Electric motor</b>	<b>MAGNIFICA m:</b> single-phase 220 V - 60 Hz with winding integrated thermal motor protection <b>MAGNIFICA:</b> three-phase 220/380 V - 60 Hz – The three-phase pumps are fitted with high performance motors in class IE3 (IEC 60034-30-1) – Continuous running duty <b>S1</b>			
<b>8 O-Ring (OR)</b>	NBR			
<b>9 Cover</b>	Polycarbonate			
<b>10 Pre-filter</b>	Polypropylene			
<b>11 Closing knob</b>	Nylon			
<b>12 Fittings</b>	PVC-U			
<b>13 Base</b>	Polypropylene			

