



Sewage



Civil use



Industrial use

※ Submersible pumps 4 poles (1750 min⁻¹)



PERFORMANCE RANGE

- Flow rate up to **1500 l/min** (90 m³/h)
- Head up to **9 m**

INSTALLATION AND USE

The **BC4** series is constructed from thick stainless steel and cast iron, offering exceptional robustness, abrasion resistance, and durability. Equipped with a **TWO-CHANNEL** impeller, the pumps are designed to **drain sewage, sludge-mixed water, and activated and putrid sludge**. They are suitable for a wide range of applications, including sewers, tunnels, excavations, canals, and underground parking facilities.

ELECTRIC MOTOR

- ※ **The electric motor is safeguarded by a special three-phase thermal protector, situated within the motor, which activates in case of overheating or abnormal power consumption.**

INCLUDES

- ※ Power cable length **10 m**

APPLICATION LIMITS

- Depth below water level up to **10 m**
(with an appropriately sized power cable)
- Liquid temperature up to **+40 °C**
- Capable of processing suspended solids up to **Ø 50 mm**
- **Minimum immersion for continuous service: 500 mm**

AVAILABLE UPON REQUEST

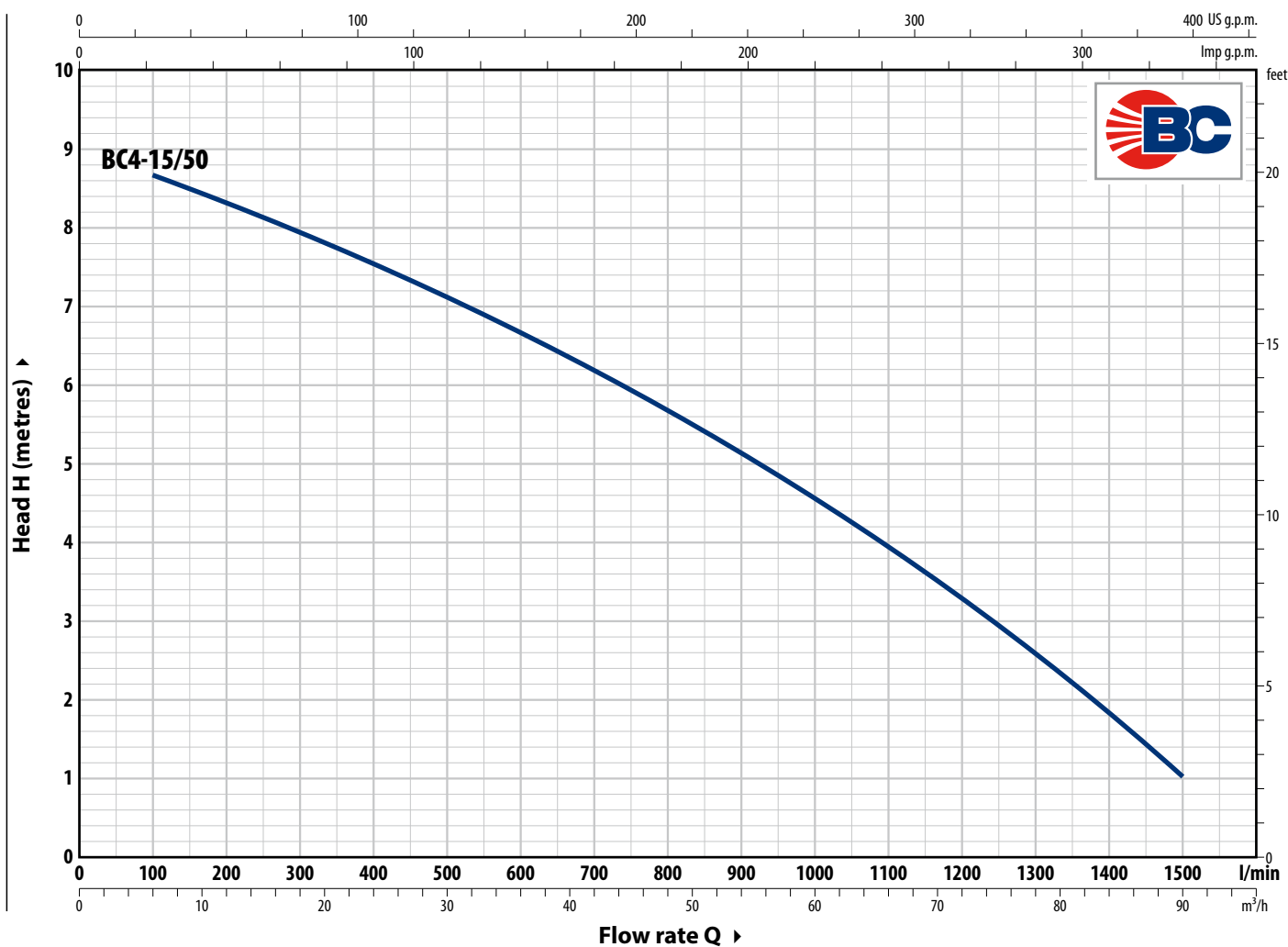
- ※ Different voltage or frequency

PATENTS - TRADE MARKS - MODELS

- Registered Community Model No. 003863158-0001

CURVES AND PERFORMANCE DATA – n= 1750 min⁻¹

60 Hz



TYPE	POWER (P ₂)		Q	Flow rate														
	kW	HP		m ³ /h	0	6	12	18	24	30	36	42	54	60	66	90		
Three-phase				l/min	0	100	200	300	400	500	600	700	900	1000	1100	1500		
BC4-15/50	1.1	1.5	H metres		9	8.6	8.3	7.9	7.5	7.1	6.6	6.2	5.1	4.5	3.9	1		

Q = Flow rate H = Total manometric head

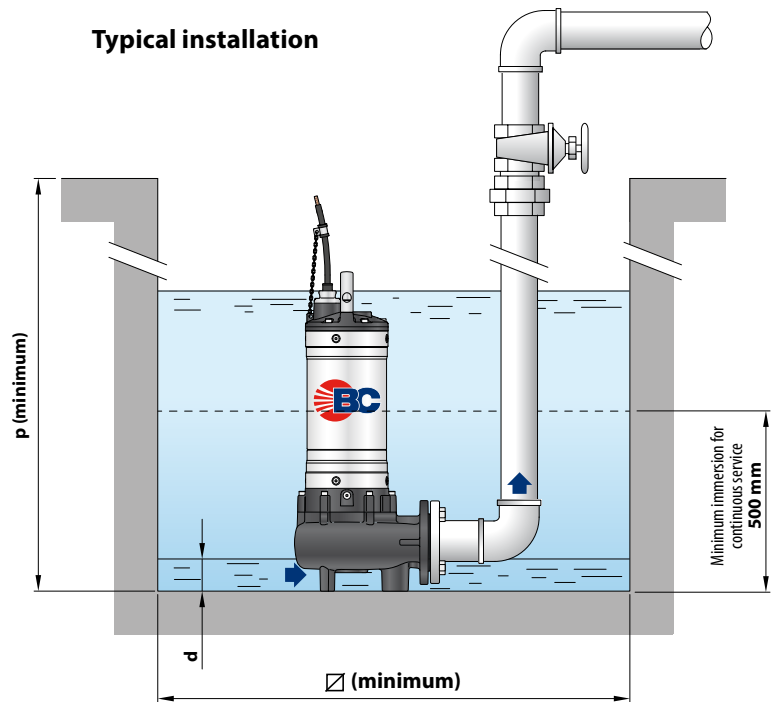
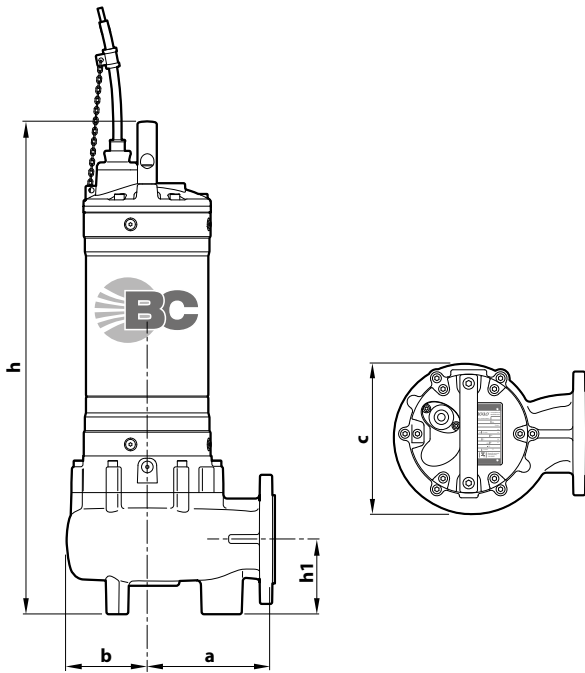
Performance curves comply with EN ISO 9906 Grade 3B tolerance limits.

ABSORPTION

TYPE	VOLTAGE
Three-phase	380 V
BC4-15/50	2.8 A

TYPE	VOLTAGE
Three-phase	440 V
BC4-15/50	2.5 A

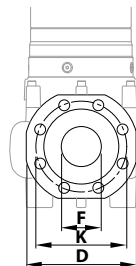
DIMENSIONS AND WEIGHT



TYPE	Passage of solid bodies	DIMENSIONS mm								kg
		a	b	c	h	h1	d	p	∅	
Three-phase										3~
BC4-15/50	∅ 50 mm	178	107	210	655	150	85	800	500	55.8

PORT FLANGE

TYPE	FLANGE	F	K	D	HOLES	
Three-phase	DN		mm	mm	N°	∅ mm)
BC4-15/50	80 (PN10)	3"	160	200	8	18



PALLET CAPACITY

TYPE	GROUPAGE	CONTAINER
Three-phase	n. pumps	n. pumps
BC4-15/50	12	16

MATERIALS AND COMPONENTS

1 Pump body	Cast iron with cathoresis treatment
2 Impeller	TWO-CHANNEL cast iron type with cathoresis treatment
3 Motor sleeve	Stainless steel AISI 304
4 Motor cover	Cast iron with cathoresis treatment
5 Motor shaft	Stainless steel AISI 431

6 Double mechanical seal with interposed oil chamber

Seal	Shaft	Location	Materials
AR-27	Ø 27 mm	Motor side	Silicon carbide / Graphite / NBR
AR-25	Ø 25 mm	Pump side	Silicon carbide/Silicon carbide/NBR

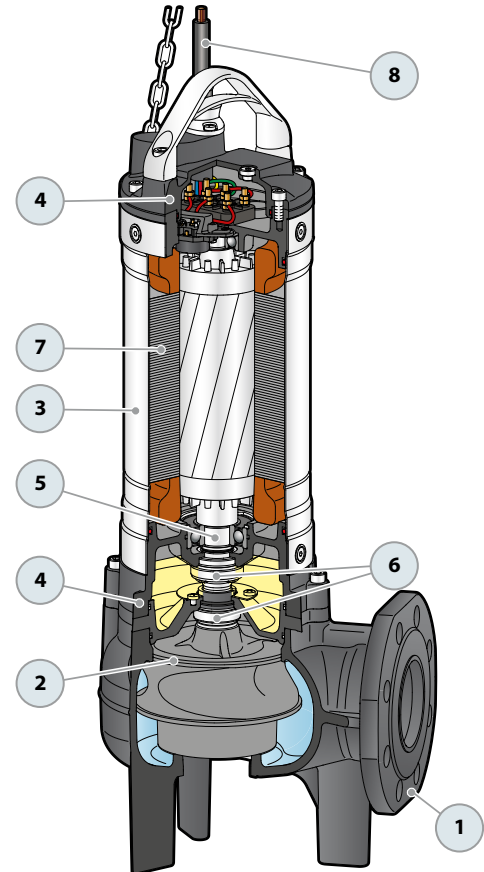
7 Electric Motor

Three-phase 380 V - 60 Hz or 440 V - 60 Hz
with winding integrated thermal three-phase motor protection

- Insulation: class F
- Protection rating: IP X8

8 Power cord

※ 10 metres 'H07 RN-F' type



SEWAGE LIFTING SYSTEM VX4 - BC4

VERSION WITH HORIZONTAL DELIVERY AND ¾" GUIDE PIPES

For VX4 /50	Code ASSPVX50	DN 2
--------------------	---------------	-------------

※ Kit consisting of:



Coupling foot



Guide rail



Support for guide tubes



VERSION WITH VERTICAL DELIVERY AND ¾" GUIDE PIPES

For VX4 /50	Code ASSPVX503V	DN 2½"
For VX4 /65	Code ASSPVX653V	DN 3"
For BC4 /50	Code ASSVXCF071V	

VERSION WITH VERTICAL DELIVERY AND 2" GUIDE TUBES

For VX4 /50	Code ASSPVX50V	DN 3"
For VX4 /65	Code ASSPVX65V	
For VX4 /80, BC4 /50	Code ASSVXCF0705V	

※ Kit consisting of:



Coupling foot complete with counterflange



Guide rail



Support for guide tubes



● ACCESSORIES AVAILABLE FOR ORDER

RUNNING GUIDE

※ For VX4 /50 with Ø ¾" guide tubes	Code ASSFL009
※ For VX4 /65 with Ø ¾" guide tubes	Code ASSFL010
※ For BC4 /50 with Ø ¾" guide tubes	Code ASSFL0018
※ For VX4 /50 with Ø 2" guide tubes	Code ASSFL050
※ For VX4 /65 with Ø 2" guide tubes	Code ASSFL065
※ For VX4 /80, BC4 /50 with Ø 2" guide tubes	Code ASSFL072

Complete with screws and seals



for Ø ¾" guide tubes



for guide tubes Ø 2"

INTERMEDIATE GUIDE TUBE SUPPORT

※ For Ø ¾" guide tubes	Code 859SV340INTFA
※ For guide tubes Ø 2"	Code 859SV349INTFA

For reasons of stability, an intermediate support should be interposed:

- every 2 metres with ¾" guide pipes (mandatory)
- every 3 metres with 2" guide tubes (recommended)



for Ø ¾" guide tubes



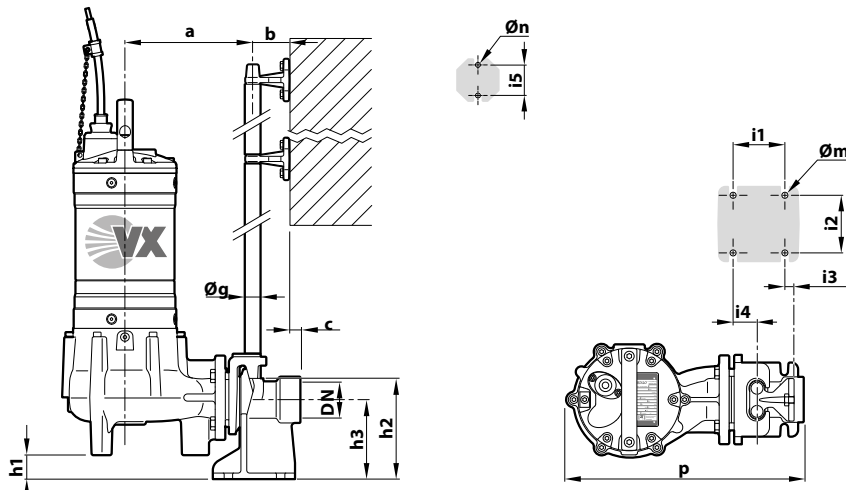
for guide tubes Ø 2"

GUIDE TUBE (AISI 304 stainless steel)

※ 2 metres Ø ¾" guide tube	Code 54SARTG0052F
※ 3 metres Ø ¾" guide tube	Code 54SARTG0053F
※ 6 metres Ø ¾" guide tube	Code 54SARTG0056F
※ 3 metres Ø 2" guide tube	Code 54SARTG0063F
※ 6 metres guide tube Ø 2"	Code 54SARTG0066F

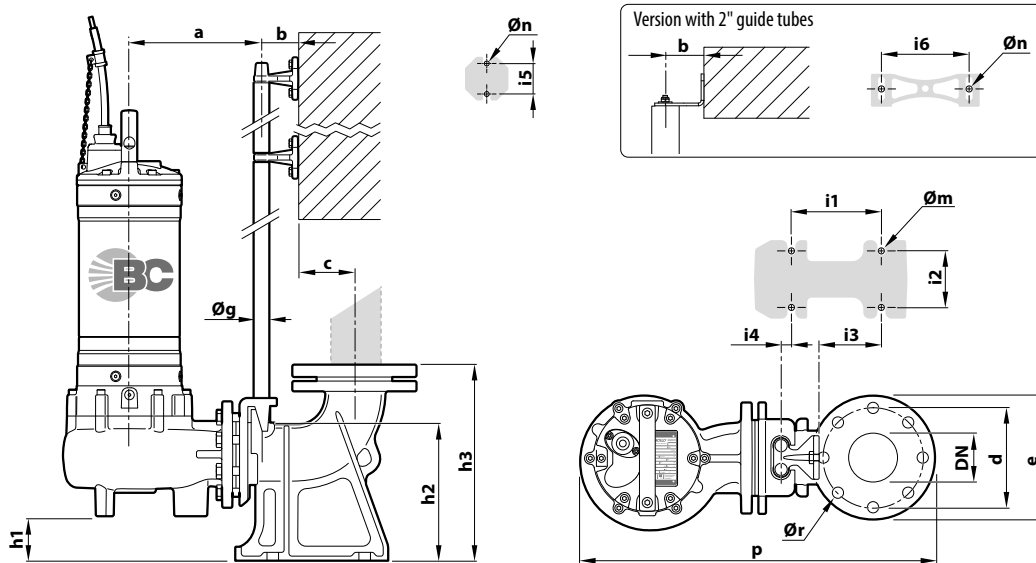


DIMENSIONS (HORIZONTAL delivery version)



TYPE	Solid bodies mm	PORT DN	DIMENSIONS mm														
			a	b	c	p	h1	h2	h3	i1	i2	i3	i4	i5	Øg	Øm	Øn
VX4 /50	Ø 50	2"	214	61	17	400	30	165	130	85	94	16	40	50	¾"	12	11

DIMENSIONS (Version with VERTICAL delivery)



※ Version with ¾" guide tubes

TYPE	Solid bodies mm	PORT DN	DIMENSIONS mm																	
			a	b	c	d	e	p	h1	h2	h3	i1	i2	i3	i4	i5	Øg	Øm	Øn	Ør
VX4 /50	Ø 50 mm	2½"	211		52	125	165	506	28	164	216	120	72	62	3					
VX4 /65	Ø 65 mm	3"	213	61	69	150	190	537	48	216	280	130	112	84	15	50	¾"	14	11	18
BC4 /50	Ø 50 mm		222					553	19											

※ Version with 2" guide tubes

TYPE	Solid bodies mm	PORT DN	DIMENSIONS mm																			
			a	b	c	d	e	p	h1	h2	h3	i1	i2	i3	i4	i5	i6	Øg	Øm	Øn	Ør	
VX4 /50	Ø 50 mm	3"						706	107													
VX4 /65	Ø 65 mm		319					697	86													
VX4 /80	Ø 80 mm		328	86	95	160	200	714	57	264	392	250	150	34	-	80	186	2"	22	13.5	18	
BC4 /50	Ø 50 mm		328					714	57													