

# PQ 81-PPS

## Peripheral pump with PPS pump body



### INSTALLATION AND USE

Designed to transfer clean water free from abrasive particles and liquids that will not damage the pump's components.

Its hydraulic characteristics and compactness make it suitable for **industrial applications**.

### PUMP BODY

The material used for the **pump body** is a **PPS-based** technopolymer reinforced with glass fibre, which gives it excellent mechanical properties.

### APPLICATION LIMITS

- Manometric suction head up to **8 m**
- Liquid temperature between **-10 °C** and **+90 °C**
- Ambient temperature between **-10 °C** and **+40 °C**
- Maximum working pressure **10 bar**

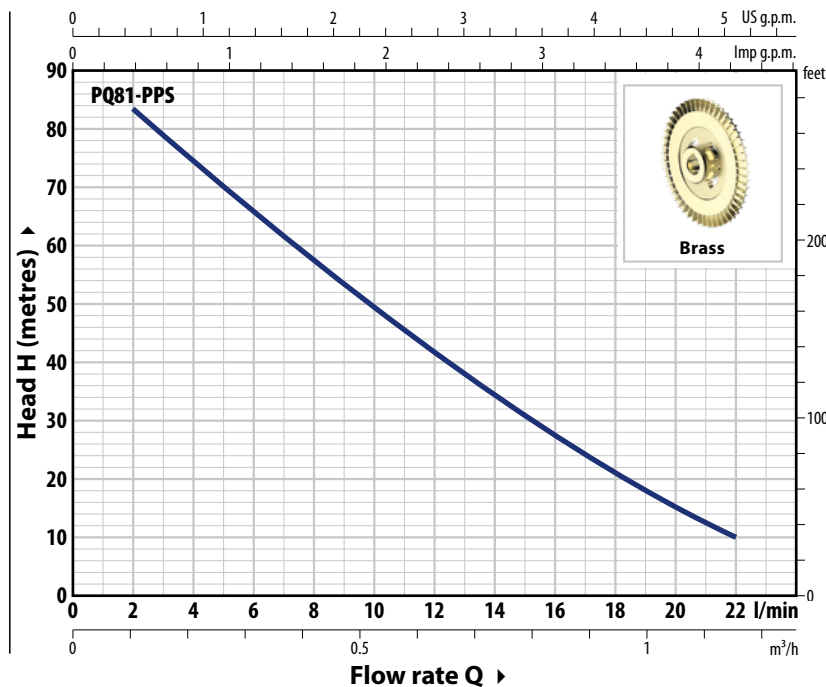
### AVAILABLE UPON REQUEST

- ✘ Mechanical seal options available
- ✘ IP 55 protection rating
- ✘ Different voltage requirements 60 Hz frequency



✘ Pump for industrial use

### CURVES AND PERFORMANCE DATA – HS=0 m 50 Hz



### ABSORPTION

TYPE	VOLTAGE	
Single-phase	<b>230 V</b>	
<b>PQm 81-PPS</b>	3.5 A	

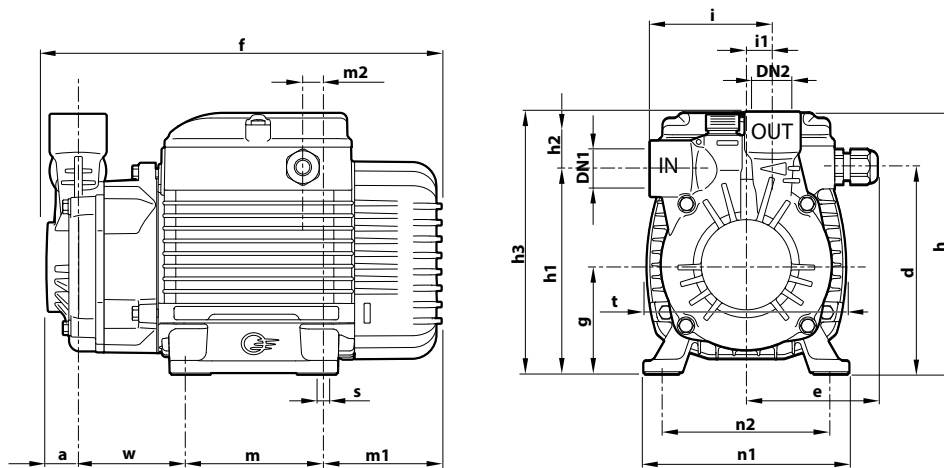
TYPE	VOLTAGE	
Three-phase	<b>230 V - Δ</b>	<b>400 V - ƿ</b>
<b>PQ 81-PPS</b>	2.4 A	1.4 A

TYPE		POWER (P <sub>2</sub> )		Q	Flow rate												
Single-ph.	Three-ph.	kW	HP		m³/h	0	0.12	0.24	0.36	0.48	0.60	0.72	0.84	0.96	1.08	1.2	1.32
PQm 81-PPS	PQ 81-PPS	0.55	0.75	IE2 IE3	H metres	90	83.5	74.5	66.5	57.5	49	41	35	28	22	15	10

Q = Flow rate H = Total manometric head HS = Suction height

Performance curves comply with EN ISO 9906 Grade 3B tolerance limits.

## DIMENSIONS (mm)



TYPE		PORTS		DIMENSIONS mm																		kg		
Single-phase	Three-phase	DN1	DN2	a	d	e	f	g	h	h1	h2	h3	i	i1	m	m1	m2	n1	n2	t	w	s	1~	3~
<b>PQm 81-PPS</b>	<b>PQ 81-PPS</b>	½"	½"	18.5	119.5	76.5	223	63	163	119	33	152	71	15	80	69	8.5	120	100	117	61	7	6.5	6.5

## CONSTRUCTION FEATURES

<b>1 Pump body</b>	<b>PPS</b> , with ISO 228/1 threaded brass inserted in ports	
<b>2 Motor bracket</b>	Aluminium with brass cover with front anti-locking shim function	
<b>3 Impeller</b>	Brass	
<b>4 Mechanical seal</b>	Type	Materials
	<b>ST1-12</b>	Silicon carbide / Graphite / NBR
<b>5 Shaft</b>	Stainless steel <b>AISI 431</b>	
<b>6 Electric motor</b>	<p><b>PQm-PPS</b>: single-phase 230 V - 50 Hz with winding integrated thermal motor protection.  <b>PQ-PPS</b>: three-phase 230/40 V - 50 Hz</p> <p>※ Pumps are equipped with high-efficiency motors (IEC 60034-30-1)  class <b>IE2</b> for single-phase models  class <b>IE3</b> for three-phase models</p> <ul style="list-style-type: none"> <li>– Continuous running duty <b>S1</b></li> <li>– Insulation: class F</li> <li>– Protection rating: IP X4</li> </ul>	

