

-  Acque pulite
-  Uso civile
-  Uso industriale
-  Uso agricolo



CAMPO DELLE PRESTAZIONI

- Portata fino a **5750 l/min** (345 m³/h)
- Prevalenza fino a **98 m**

UTILIZZI E INSTALLAZIONI

Pompe centrifughe normalizzate con supporto costruite secondo la norma EN733.

Sono consigliate per pompare acqua pulita senza particelle abrasive e liquidi chimicamente non aggressivi per i materiali costituenti la pompa.

Utilizzate per:

- **Approvvigionamento idrico**
- **Pressurizzazione**
- **Irrigazione**
- **Impianti antincendio**
- **Industria**
- **Agricoltura**
- **Per utilizzo nel campo civile, industriale e agricolo**
- **Per impianti di condizionamento, raffreddamento, riscaldamento e circolazione**

LIMITI D'IMPIEGO

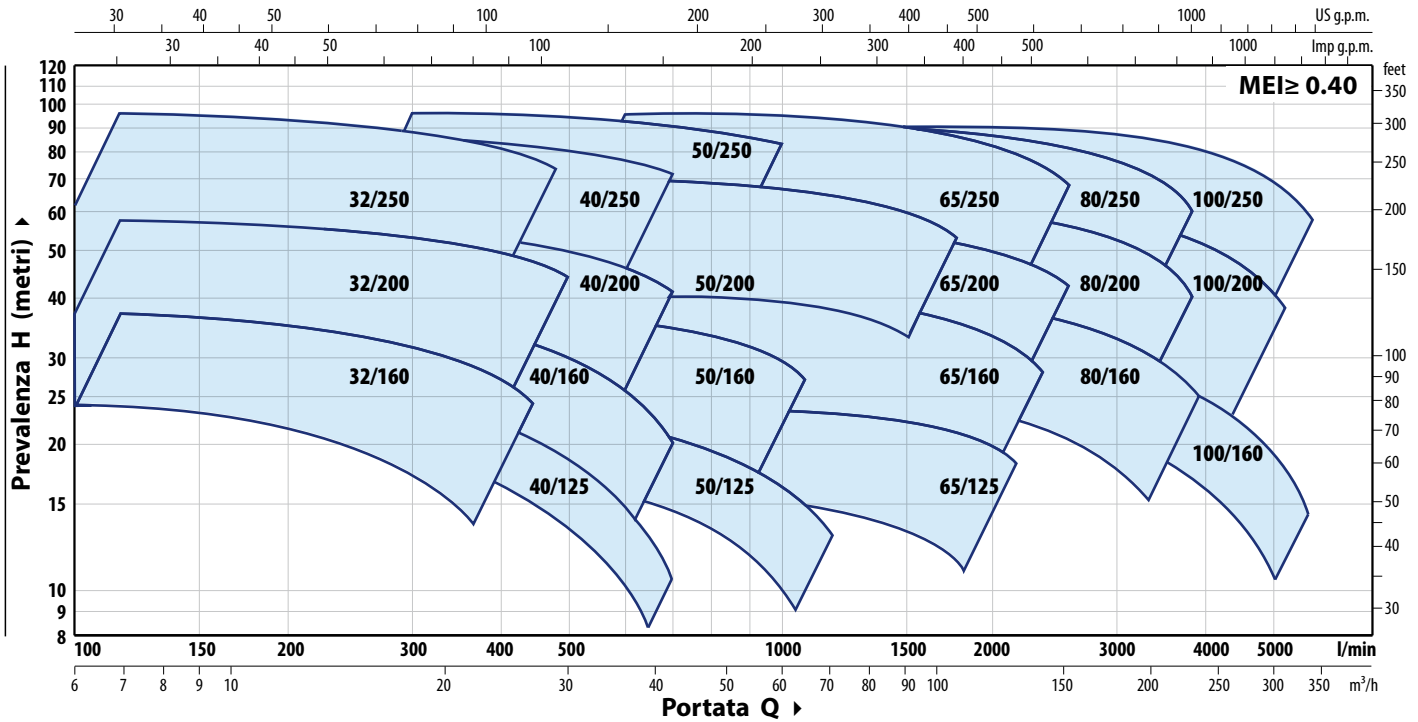
- Altezza d'aspirazione manometrica fino a **7 m**
- Temperatura del liquido da **-10 °C** fino a **+90 °C**
- Pressione massima nel corpo pompa **10 bar** (PN10)

ESECUZIONI A RICHIESTA

- ✘ Tenuta meccanica speciale
- ✘ Pompe per motori con frequenza 60 Hz
- ✘ Per liquidi con temperature più alte o più basse
- ✘ Per ambienti con temperature più alte o più basse
- ✘ **KIT controflange** comprensivo di viti, dadi e guarnizioni



CAMPO DI PRESTAZIONI - n= 2900 min⁻¹



DATI DI PRESTAZIONE - n= 2900 min⁻¹

TIPO	MOTORE DA ACCOPPIARE		PRESTAZIONI n= 2900 min ⁻¹					
	kW	HP	Q m³/h	H m	Q m³/h	H m	Q m³/h	H m
FG2-32/160C	1.5	2	6	24	16	19.8	21	14
FG2-32/160B	2.2	3	6	30	18	23.6	24	17
FG2-32/160A	3	4	6	37	20.4	30.2	27	24
FG2-32/200C	4	5.5	6	44	27	31.5	27	31.5
FG2-32/200B	5.5	7.5	6	51	28	37.7	30	36
FG2-32/200A	7.5	10	6	57	29	45.3	30	44
FG2-32/200BH	3	4	6	45	17	38.4	18	37
FG2-32/200AH	4	5.5	6	55	18	46.1	19.2	44
FG2-32/250C	9.2	12.5	6	75	28	58.6	27	60
FG2-32/250B	11	15	6	87	32	67.6	30	70
FG2-32/250A	15	20	6	97	35	73.6	30	80
FG2-40/125C	1.1	1.5	6	16	23	12.0	33	6
FG2-40/125B	1.5	2	6	20.5	26	15.1	36	9
FG2-40/125A	2.2	3	6	26	29	19.3	42	10
FG2-40/160C	2.2	3	6	27	25	22.0	36	14
FG2-40/160B	3	4	6	32	27	25.9	36	20
FG2-40/160A	4	5.5	6	38	30	30.2	42	20
FG2-40/200B	5.5	7.5	6	47	33	36.3	42	28
FG2-40/200A	7.5	10	6	55	36	46.2	42	41
FG2-40/250C	9.2	12.5	6	64	39	49.9	42	47
FG2-40/250B	11	15	6	71	40	56.8	42	55
FG2-40/250A	15	20	6	88	42	72.0	42	72
FG2-50/125C	2.2	3	18	17.5	49	13.0	72	6
FG2-50/125B	3	4	18	20.7	51	15.6	72	9
FG2-50/125A	4	5.5	18	23.5	55	18.4	72	13
FG2-50/160C	4	5.5	18	27	48	20.7	60	16
FG2-50/160B	5.5	7.5	18	32	52	26.3	72	18
FG2-50/160A	7.5	10	18	37	54	32.1	81	20
FG2-50/200C	11	15	24	44	82	37.0	102	30
FG2-50/200B	15	20	24	52	86	43.7	102	38
FG2-50/200A	18.5	25	24	61	91	52.0	108	45
FG2-50/200AR	22	30	24	69	96	58.2	108	53
FG2-50/250D	9.2	12.5	18	51	53	37.6	54	37
FG2-50/250C	11	15	18	59	60	43.0	60	43
FG2-50/250B	15	20	18	72	60	59.0	60	59
FG2-50/250A	18.5	25	18	85	60	73.0	60	73
FG2-50/250AR	22	30	18	95	60	83.0	60	83

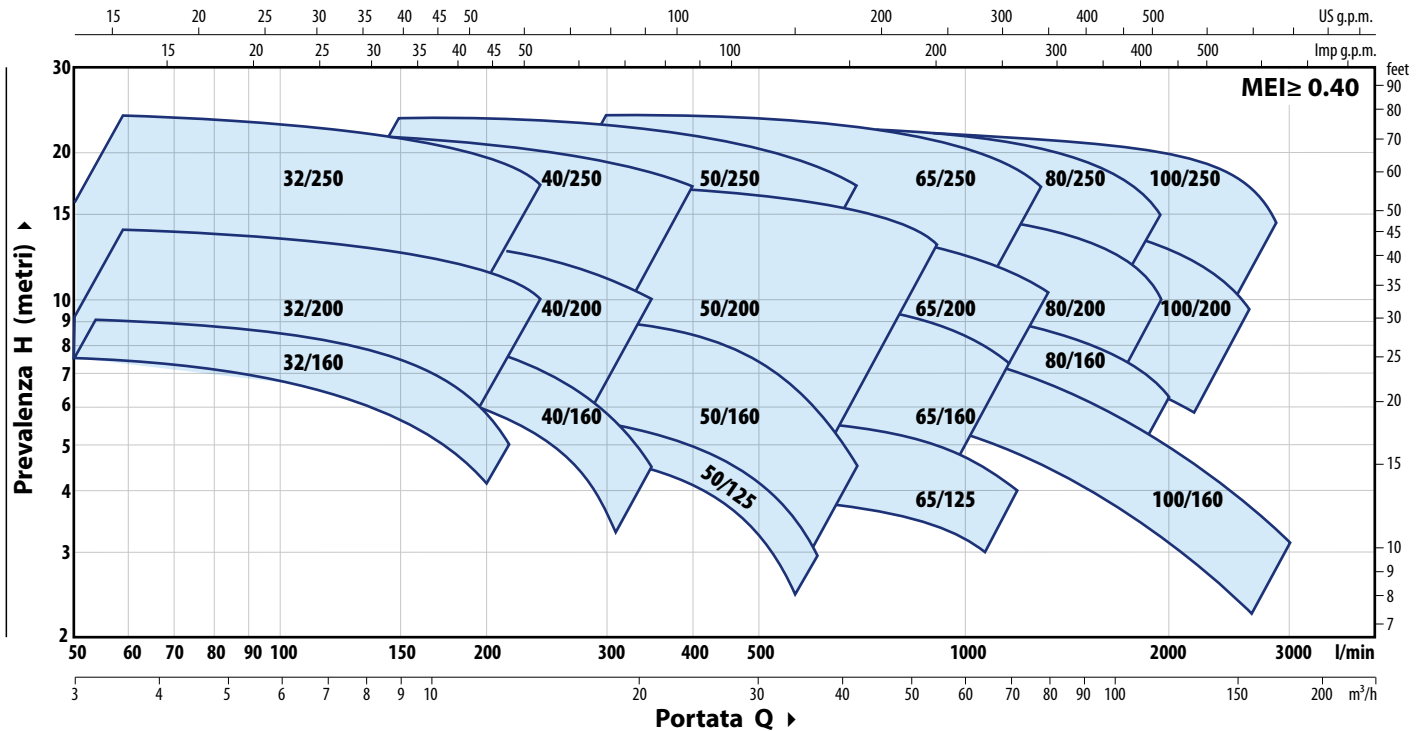
TIPO	MOTORE DA ACCOPPIARE		PRESTAZIONI n= 2900 min ⁻¹					
	kW	HP	Q m³/h	H m	Q m³/h	H m	Q m³/h	H m
FG2-65/125C	4	5.5	36	16	96	12.6	108	11
FG2-65/125B	5.5	7.5	36	18	101	15.4	120	13
FG2-65/125A	7.5	10	36	23	108	20.9	132	18
FG2-65/160C	9.2	12.5	36	32	108	27.0	132	22
FG2-65/160B	11	15	36	36.5	113	30.3	144	23
FG2-65/160A	15	20	36	40.5	114	35.0	144	28
FG2-65/200B	15	20	12	44	129	34.4	144	30.5
FG2-65/200A	18.5	25	12	50	143	38.4	150	36.5
FG2-65/200AR	22	30	12	57	136	47.0	156	42
FG2-65/250C	30	40	24	76	111	64.7	141	53
FG2-65/250B	37	50	24	87	120	74.3	150	62
FG2-65/250A	45	60	24	95	126	80.7	156	68
FG2-80/160D	11	15	30	25	171	19.1	240	10
FG2-80/160C	15	20	30	30	178	23.4	240	15
FG2-80/160B	18.5	25	30	35	185	27.7	240	20
FG2-80/160A	22	30	30	40	190	32.1	240	25
FG2-80/200B	30	40	30	56	166	46.5	219	34.5
FG2-80/200A	37	50	30	62	180	53.0	234	40
FG2-80/250B	45	60	36	77	170	65.9	216	54
FG2-80/250A	55	75	36	88.5	180	77.3	234	60
FG2-100/160C	15	20	60	30	220	20.3	300	12
FG2-100/160B	18.5	25	60	34	234	23.1	312	14.5
FG2-100/160A	22	30	60	38	250	26.4	330	17.5
FG2-100/200C	30	40	48	51	216	39.6	279	28
FG2-100/200B	37	50	48	57	228	44.5	294	33
FG2-100/200A	45	60	48	63	245	50.6	315	38
FG2-100/250B	55	75	48	75	250	62.0	309	48
FG2-100/250A	75	100	48	89	270	76.0	345	58

Q = Portata

H = Prevalenza manometrica totale

Tolleranza delle curve di prestazioni secondo EN ISO 9906 Grado 3B.

CAMPO DI PRESTAZIONI - n= 1450 min⁻¹



DATI DI PRESTAZIONE - n= 1450 min⁻¹

TIPO	MOTORE DA ACCOPPIARE		PRESTAZIONI n= 1450 min ⁻¹			
	kW	HP	Q m ³ /h	H m	Q m ³ /h	H m
FG4-32/160C	0.25	0.33	3	6	8	4.8
FG4-32/160B	0.37	0.5	3	7.5	9.9	5.6
FG4-32/160A	0.37	0.5	3	9	10.5	6.8
FG4-32/200C	0.55	0.75	3	11	12	8.5
FG4-32/200B	0.75	1	3	12.5	13.8	9.5
FG4-32/200A	1.1	1.5	3	14	14.4	10.8
FG4-32/200BH	0.75	1	3	11.3	8.4	9.6
FG4-32/200AH	0.75	1	3	13.8	9	11.5
FG4-32/250C	1.1	1.5	3	18.4	13.5	14.8
FG4-32/250B	1.5	2	3	21.7	15	17.4
FG4-32/250A	2.2	3	3	23.8	16.2	18.7
FG4-40/160C	0.37	0.5	3	6.5	12	5.5
FG4-40/160B	0.37	0.5	3	7.5	13.2	6.0
FG4-40/160A	0.55	0.75	3	9	14.7	7.1
FG4-40/200B	0.75	1	3	11.5	16.8	8.9
FG4-40/200A	1.1	1.5	3	13.8	18.6	10.9
FG4-40/250C	1.1	1.5	3	15.5	19.2	12.4
FG4-40/250B	1.5	2	3	17.5	19.8	14.2
FG4-40/250A	2.2	3	3	22	22.8	17.5
FG4-50/125C	0.37	0.5	9	4	24.5	3.3
FG4-50/125B	0.55	0.75	9	5	25.2	4.0
FG4-50/125A	0.55	0.75	9	6	27	4.8
FG4-50/160C	0.55	0.75	9	7	25	5
FG4-50/160B	0.75	1	9	8	26.4	6.5
FG4-50/160A	1.1	1.5	9	9.3	27.6	7.8
FG4-50/200C	1.5	2	12	11	39.6	9.3
FG4-50/200B	2.2	3	12	13	43.2	10.9
FG4-50/200A	2.2	3	12	15	46.2	12.8
FG4-50/200AR	3	4	12	17	48	14.5
FG4-50/250D	1.1	1.5	9	12.5	25.5	10.1
FG4-50/250C	1.5	2	9	14	27	11.2
FG4-50/250B	2.2	3	9	18	30.6	14.6
FG4-50/250A	2.2	3	9	20	33	16.3
FG4-50/250AR	3	4	9	23.5	34.2	19.9

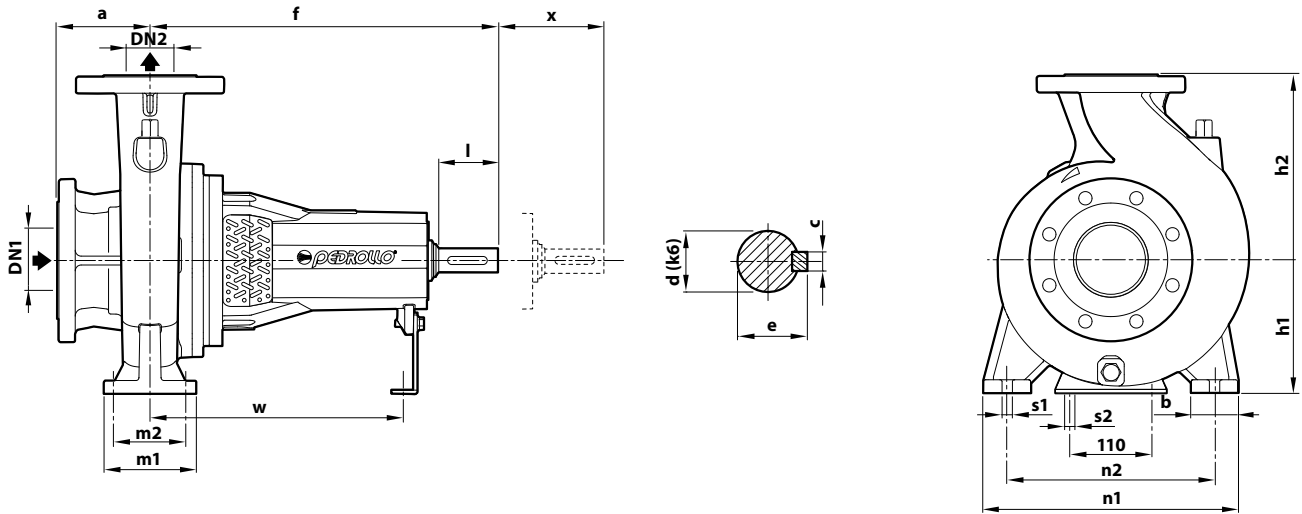
TIPO	MOTORE DA ACCOPPIARE		PRESTAZIONI n= 1450 min ⁻¹			
	kW	HP	Q m ³ /h	H m	Q m ³ /h	H m
FG4-65/125C	0.55	0.75	18	4	48	3.2
FG4-65/125B	0.75	1	18	4.7	54	3.8
FG4-65/125A	1.1	1.5	18	5.7	60	4.7
FG4-65/160C	1.1	1.5	18	8	54.6	6.7
FG4-65/160B	1.5	2	18	9.1	57	7.6
FG4-65/160A	2.2	3	18	10.1	59.4	8.5
FG4-65/200B	2.2	3	6	10.7	64.5	8.5
FG4-65/200A	2.2	3	18	12	66	9.6
FG4-65/200AR	3	4	18	14	68.4	11.2
FG4-65/250C	3	4	12	19	55.5	16.2
FG4-65/250B	4	5.5	12	21.8	58.8	18.8
FG4-65/250A	5.5	7.5	12	23.5	60	20.6
FG4-80/160D	1.5	2	18	6.3	84	4.8
FG4-80/160C	2.2	3	18	7.5	88.8	5.7
FG4-80/160B	2.2	3	18	8.8	94.8	6.8
FG4-80/160A	3	4	18	10	99.6	7.7
FG4-80/200B	4	5.5	18	14	92.4	10.9
FG4-80/200A	5.5	7.5	18	15.5	97.5	12.6
FG4-80/250B	5.5	7.5	18	19.5	90	16.1
FG4-80/250A	7.5	10	18	22	84	19.9
FG4-100/160C	2.2	3	24	7.5	110	5
FG4-100/160B	2.2	3	24	8.3	117	5.7
FG4-100/160A	3	4	24	10	124	6.9
FG4-100/200C	4	5.5	24	12.7	111	9.6
FG4-100/200B	5.5	7.5	24	14.2	117	10.9
FG4-100/200A	5.5	7.5	24	15.8	123	12.6
FG4-100/250B	7.5	10	24	18.5	117	15.9
FG4-100/250A	9.2	12.5	24	22	126	19.3

Q = Portata

H = Prevalenza manometrica totale

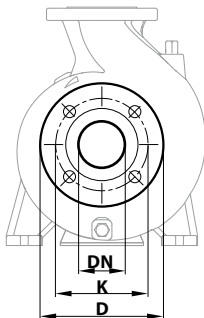
Tolleranza delle curve di prestazioni secondo EN ISO 9906 Grado 3B.

DIMENSIONI E PESI



TIPO	BOCCHIE		DIMENSIONI mm																	kg		
	DN1	DN2	a	f	h1	h2	b	m1	m2	n1	n2	s1	s2	w	x	l	d (k6)	c	e			
FG 32/160	50	32	80	360	132	160	55	96	71	240	190	14	14	260	100	50	24	8	27	33.0		
FG 32/200					160	180	55	95												210	160	38.1
FG 32/200H					160	180	55	95												240	190	36.9
FG 32/250					180	225	65	125												265	212	53.0
FG 40/125	65	40	80	360	112	140	50	100	70	210	160	14	14	260	100	50	24	8	27	30.4		
FG 40/160					132	160	50	100	70	240	190									34.1		
FG 40/200					160	180	55	100	70	265	212									40.2		
FG 40/250					180	225	65	125	95	320	250									59.2		
FG 50/125	65	50	100	360	132	160	50	100	70	240	190	14	14	260	100	50	24	8	27	33.0		
FG 50/160					160	180	55	100	70	265	212									38.3		
FG 50/200					160	200	50	100	70	320	250									50.3		
FG 50/250					180	225	65	125	95	320	250									57.0		
FG 65/125	80	65	100	360	160	180	65	125	95	280	212	14	14	260	100	50	24	8	27	45.2		
FG 65/160					160	200	65	125	95	320	250									48.0		
FG 65/200					180	225	65	125	95	320	250									55.1		
FG 65/250					470	200	250	80	160	120	360									280	18	340
FG 80/160	100	80	125	360	360	180	225	65	125	95	320	250	14	14	260	140	80	32	10	35	53.0	
FG 80/200					470	180	250	65	125	95	345	280									72.0	
FG 80/250					470	200	280	80	160	120	400	315									91.1	
FG 100/160					360	200	280	80	160	120	360	280									18	260
FG 100/200	125	100	140	470	200	280	80	160	120	360	280	18	14	340	140	80	32	10	35	82.1		
FG 100/250					225	280	80	160	120	400	315									96.0		

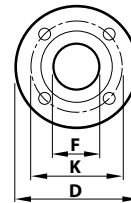
FLANGE DELLE BOCCHIE



DN FLANGE	D	K	FORI	
mm	mm	mm	N°	Ø (mm)
32	140	100	4	18
40	150	110		
50	165	125		
65	185	145		
80	200	160	8	18
100	220	180		
125	250	210		

CONTROFLANGE

(ORDINABILI A PARTE)



DN FLANGE	F	D	K	FORI	
mm	CONTROFLANGE	mm	mm	N°	Ø (mm)
32	1½"	140	100	4	18
40	1½"	150	110		
50	2"	165	125		
65	2½"	185	145		
80	3"	200	160	8	18
100	4"	220	180		
125	5"	250	210		