

-  Clean water
-  Civil use
-  Industrial use



### ※ Low noise, low energy stainless steel multi-stage pumps

- ※ Pump body: **Stainless steel AISI 304**
- ※ Cover: **Stainless steel AISI 304**
- ※ Diffusers: **Stainless steel AISI304**
- ※ Impellers: **Stainless steel AISI 304**
- ※ Shaft: **Stainless steel AISI 431**

### PERFORMANCE RANGE

- Flow rate up to **800 l/min** (48 m<sup>3</sup>/h)
- Head up to **120 m**

### INSTALLATION AND USE

Due to their silent operation and energy efficiency, these pumps are ideal for water supply and pressurization, water distribution in conjunction with autoclaves, industrial uses, and irrigation systems.

### ELECTRIC MOTOR

The three-phase pumps are equipped with newly developed electric motors designed to work with inverters, which guarantee stable and quiet operation.

Efficiency class **IE3**, class F insulation and IP55 protection.

### KEY FEATURES

- ※ Stainless steel components extend service life and enhance efficiency.
- ※ Multi-stage design results in exceptionally quiet operation.

### APPLICATION LIMITS

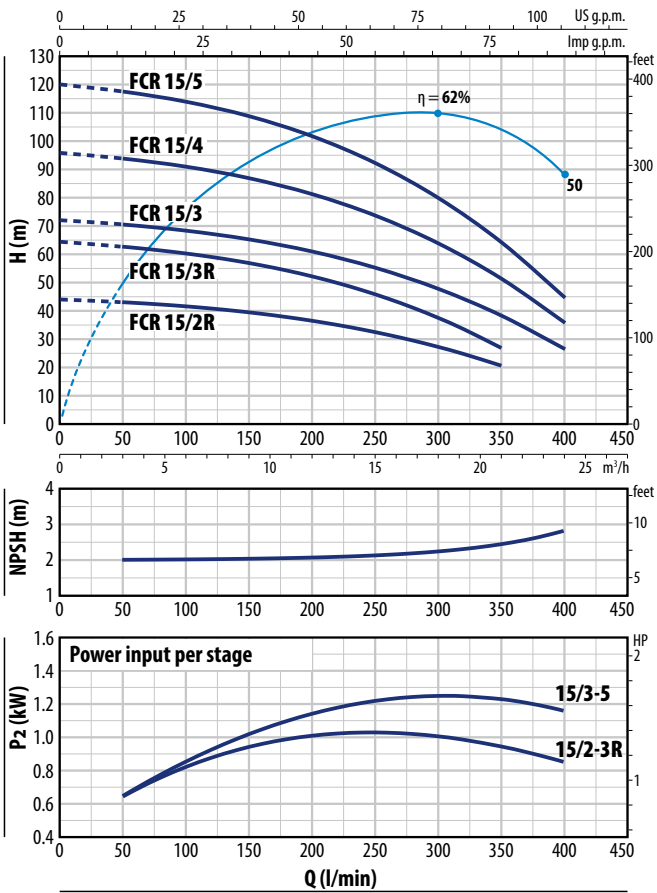
- Manometric suction head up to **7 m**
- Liquid temperature between **-15 °C** and **+90 °C**
- Ambient temperature up to **+40 °C**
- Maximum working pressure **12 bar**

### AVAILABLE UPON REQUEST

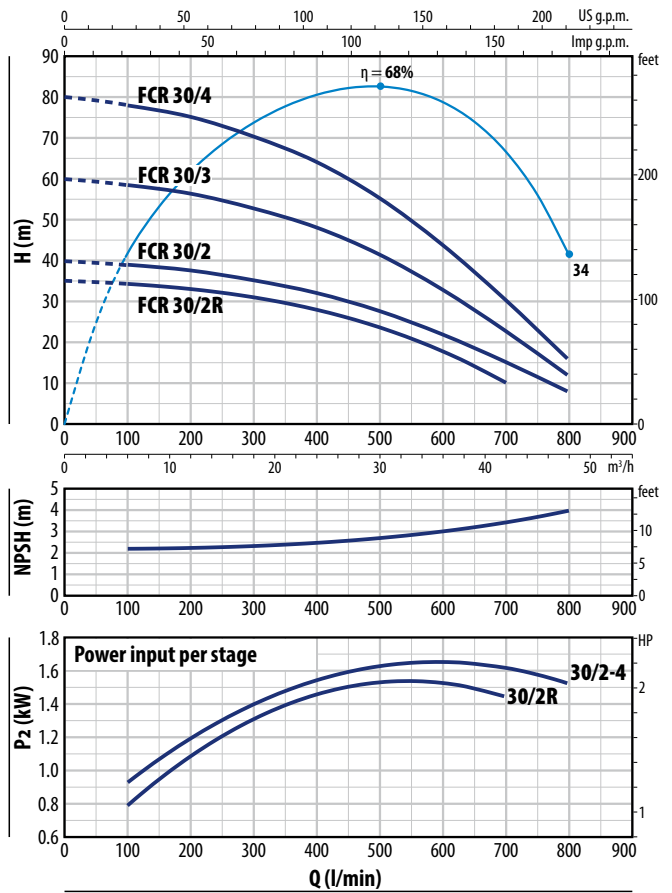
- ※ AISI 316 stainless steel pump.
- ※ Handling of liquids with higher or lower temperatures.
- ※ Different voltage requirements 60 Hz frequency
- ※ **WRAS-certified** pumps
- ※ ISO 228/1 standard flanges for suction and discharge openings, made of AISI 304 stainless steel.



### FCR 15



### FCR 30



### FCR 15

TYPE	POWER (P <sub>2</sub> )		Q	Q							
	kW	HP		m <sup>3</sup> /h	0	3	6	12	18	21	24
Three-phase			3~	0	50	100	200	300	350	400	
FCR 15/2R	2.2	3	IE3 H metres	44	43	41.5	36.5	27.5	20.5		
FCR 15/3R	3	4		64.5	62.5	60.5	52.0	37.5	27		
FCR 15/3	4	5.5		72	70	68.5	61	48	38.5	27	
FCR 15/4	5.5	7.5		96	94	91	81	64	51.5	36	
FCR 15/5	7.5	10		120	117	114	102	80	64.5	45	

### FCR 30

TYPE	POWER (P <sub>2</sub> )		Q	Q							
	kW	HP		m <sup>3</sup> /h	0	6	12	18	24	36	42
Three-phase			3~	0	100	200	300	400	600	700	800
FCR 30/2R	3	4	IE3 H metres	35	34	33	31	28	17.6	10	
FCR 30/2	4	5.5		40	39	37.5	35	31.5	22	15.7	8
FCR 30/3	5.5	7.5		60	58.5	56	52.5	47.5	33	23.5	12
FCR 30/4	7.5	10		80	78	75	70	63	44	31.3	16

Q = Flow rate H = Total manometric head HS = Suction height

Performance curves comply with EN ISO 9906 Grade 3B tolerance limits.

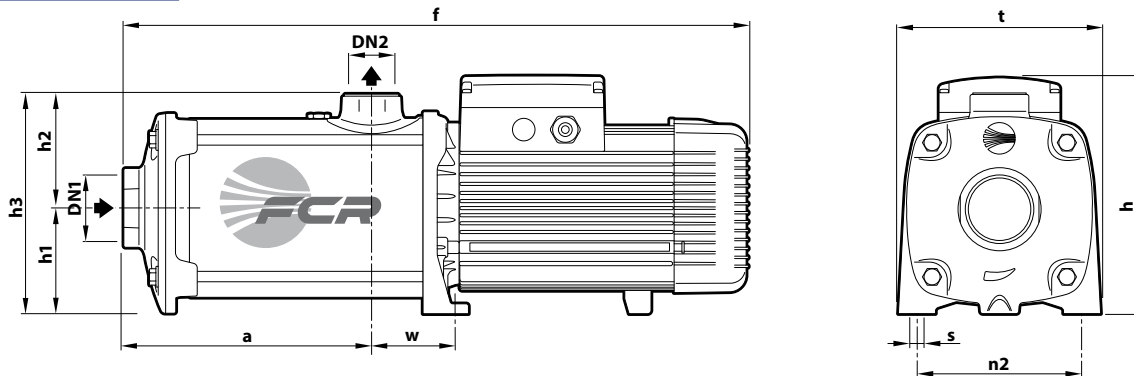
## ABSORPTION

TYPE	VOLTAGE			
	230 V - Δ	400 V - Δ	400 V - Δ	690 V - Δ
<b>Three-ph.</b>				
<b>FCR 15/2R</b>	10.4 A	6.0 A	-	-
<b>FCR 15/3R</b>	12.5 A	7.2 A	-	-
<b>FCR 15/3</b>	15.2 A	8.8 A	-	-
<b>FCR 15/4</b>	-	-	11.2 A	6.5 A
<b>FCR 15/5</b>	-	-	14.2 A	8.2 A

TYPE	VOLTAGE			
	230 V - Δ	400 V - Δ	400 V - Δ	690 V - Δ
<b>Three-ph.</b>				
<b>FCR 30/2R</b>	12.1 A	7.0 A	-	-
<b>FCR 30/2</b>	15.2 A	8.8 A	-	-
<b>FCR 30/3</b>	-	-	11.2 A	6.5 A
<b>FCR 30/4</b>	-	-	14.1 A	8.2 A

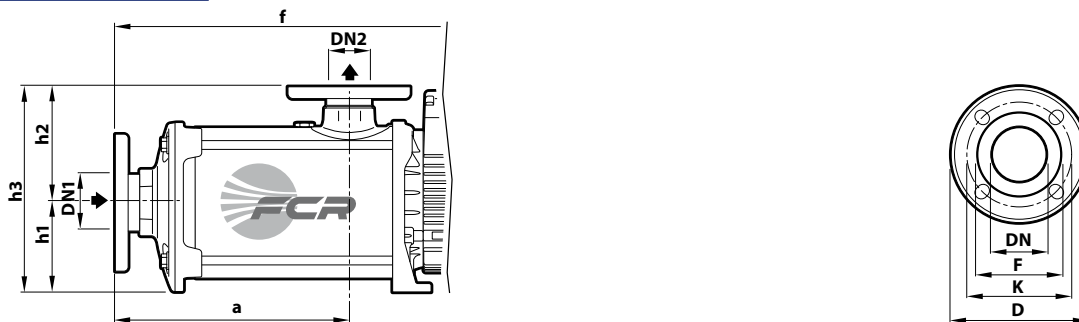
## DIMENSIONS AND WEIGHT

※ WITH THREADED PORTS



TYPE	PORTS		N° STAGES	DIMENSIONS mm										kg 3~
	DN1	DN2		a	f	h	h1	h2	h3	t	n2	w	s	
<b>Three-phase</b>														
<b>FCR 15/2R</b>	2½"	2"	2	155	533	271	120	132	252	234	190	96	12	34.0
<b>FCR 15/3R</b>			3	199	577									40.0
<b>FCR 15/3</b>			3	199	577									40.0
<b>FCR 15/4</b>			4	243	621									46.0
<b>FCR 15/5</b>			5	287	715									57.0
<b>FCR 30/2R</b>			2	155	533	271	120	132	252	234	190	96	12	37.0
<b>FCR 30/2</b>			2	155	533									37.0
<b>FCR 30/3</b>			3	199	577									44.0
<b>FCR 30/4</b>			4	243	671									54.0

※ WITH FLANGED PORTS



TYPE	PORTS		DIMENSIONS mm				
	DN1	DN2	a	f	h1	h2	h3
<b>Three-phase</b>							
<b>FCR 15/2R</b>	65	50	189	566	120	165	285
<b>FCR 15/3R</b>			233	610			
<b>FCR 15/3</b>			233	610			
<b>FCR 15/4</b>			277	654			
<b>FCR 15/5</b>			320	748			
<b>FCR 30/2R</b>			189	566	120	165	285
<b>FCR 30/2</b>			189	566			
<b>FCR 30/3</b>			233	610			
<b>FCR 30/4</b>			276	704			

FLANGE DN	D mm	K mm	F mm	HOLES	
				N°	Ø (mm)
<b>50</b>	165	125	99	4	18
<b>65</b>	185	145	118	4	18

## MATERIALS AND COMPONENTS

**1 Pump body** Stainless steel **AISI 304**, provided with ISO 228/1 threaded ports

**2 Cover** Stainless steel **AISI 304**

**3 Impellers** Stainless steel **AISI 304**

**4 Diffusers** Stainless steel **AISI 304**

5 Mechanical seal	Seal	Shaft	Materials
	<b>FN-KU-24</b> ISO 3069 EN 12756	Ø 24 mm	Graphite / Ceramic / NBR

**6 Pump shaft** Stainless steel **AISI 316L**

**7 Electric motor** **Three-phase** 230/400 V - 50 Hz up to 4 kW  
400/690 V - 50 Hz 5.5 to 7.5 kW  
※ The pumps are equipped with high-efficiency motors (IEC 60034-30-1) class **IE3**  
Continuous running duty **S1**

