



Self-priming pumps for swimming pools



**MADE IN ITALY**





**Self-Priming Electric Pumps with built-in prefilter in the pump body**  
They are recommended for recirculation of water in small and medium sized swimming pool up to 180m<sup>3</sup>.

- ✘ Particularly sturdy and corrosion resistant electric pumps, made with high quality and thick components, ensuring a long life and quiet operation.
- ✘ High flow rate with low energy consumption.
- ✘ Pre-filter complete with transparent lid to facilitate visual inspection, wing nuts for quick opening without additional tools, extra-large filter basket to reduce the frequency of cleaning operations.
- ✘ Special anti-corrosion plastic base that provides stable support for the pump and piping.
- ✘ Double insulation between hydraulic parts and the electric motor. The pump/motor shaft is never in contact with water to ensure maximum safety.
- ✘ High resistance to heat and to chemical and salt corrosion.
- ✘ Connection fittings with 2" GAS ISO 228/1 threaded ports. Screws in AISI 316.

### PERFORMANCE RANGE

- Flow rate up to **700 l/min** (42 m<sup>3</sup>/h)
- Head up to **23 m**

### APPLICATION LIMITS

- Manometric suction lift up to **4 m** (HS)
- Liquid temperature up to **+45 °C**
- Ambient temperature up to **+50 °C**
- Max. working pressure in pump body **2.5 bar**
- Continuous service **S1**

### INSTALLATIONS AND USE

Waters for use in swimming pools (pH 6.5 - 8.4).  
Installation needs to be undertaken in ventilated areas and protected from bad weather with adequate space for maintenance.

### PATENTS - TRADE MARKS - MODELS

- **MAGNIFICA®** Registered Trade Mark n° 018159079
- Registered Eu Design n° 007671839

### OPTIONS AVAILABLE ON REQUEST

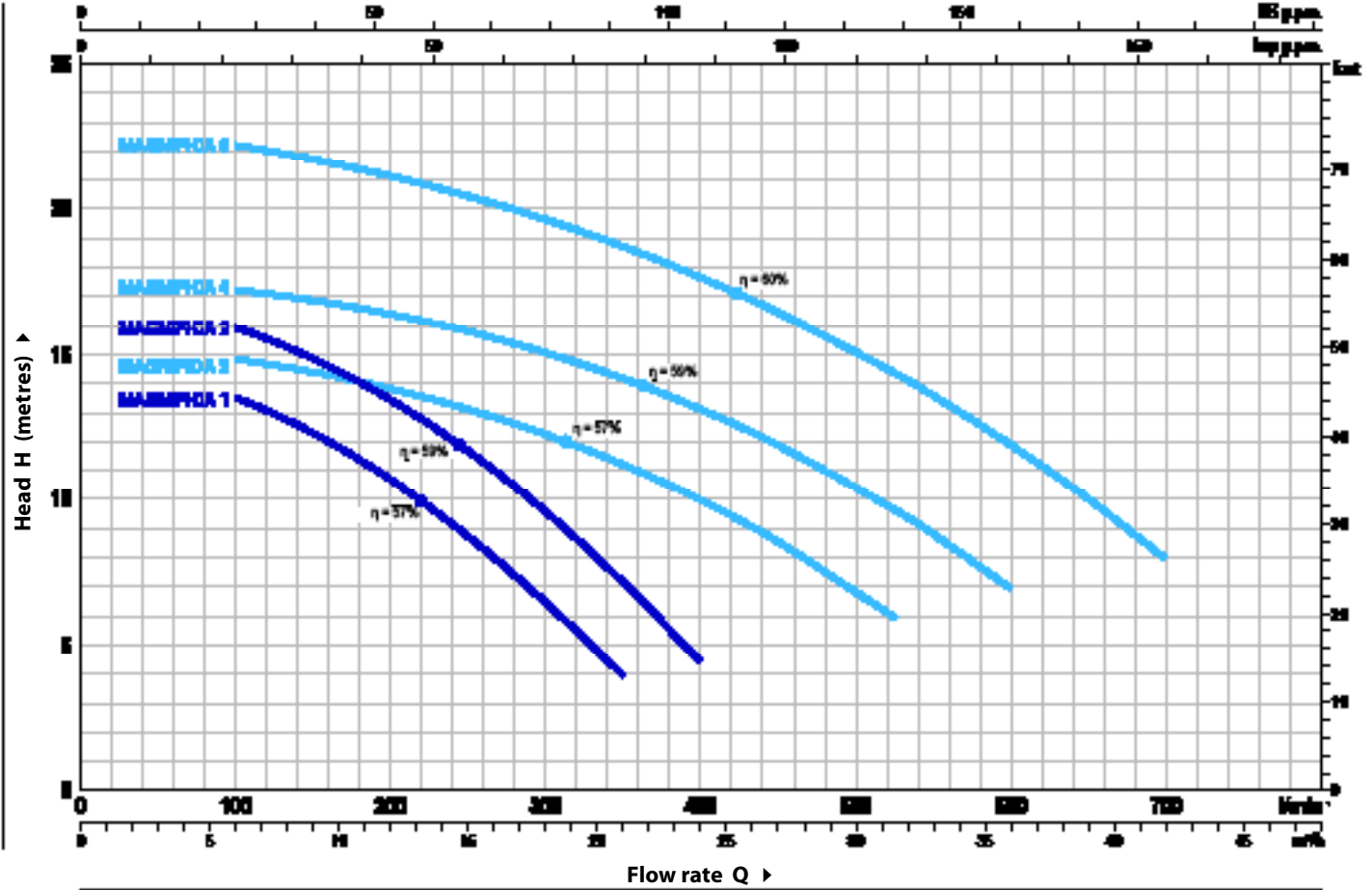
- Other voltages or frequencies at **60 Hz**
- Smooth connection **63 mm**
- Smooth connection **2" BS**
- Threaded connection **2" NPT**

### WARRANTY

2 years in accordance with our general conditions of sale

CHARACTERISTIC CURVES AND PERFORMANCE DATA

50 Hz n = 2900 min<sup>-1</sup> HS = 0 m



MODEL		POWER (P <sub>2</sub> )			Q	Flow rate													
Single-phase	Three-phase	kW	HP	▲		m <sup>3</sup> /h	0	6.0	9.0	12	15	18	21	24	30	36	42		
					l/min	0	100	150	200	250	300	350	400	500	600	700			
MAGNIFICA 1m	MAGNIFICA 1	0.55	0.75	IE3	H	metri	14.5	13.5	12.3	10.7	8.8	6.5	4						
MAGNIFICA 2m	MAGNIFICA 2	0.75	1				17	16	14.9	13.5	11.8	9.7	7.3	4.5					
MAGNIFICA 3m	MAGNIFICA 3	1.1	1.5				15.5	14.9	14.4	13.9	13.2	12.3	11.3	10	6				
MAGNIFICA 4m	MAGNIFICA 4	1.5	2				17.7	17.3	16.9	16.4	15.8	15.1	14.2	13.1	9.6	7			
MAGNIFICA 5m	MAGNIFICA 5	2.2	3				23	22.2	21.8	21.2	20.5	19.7	18.8	17.7	14.4	11.9	8		

Q = Flow rate H = Total manometric head HS = Suction height

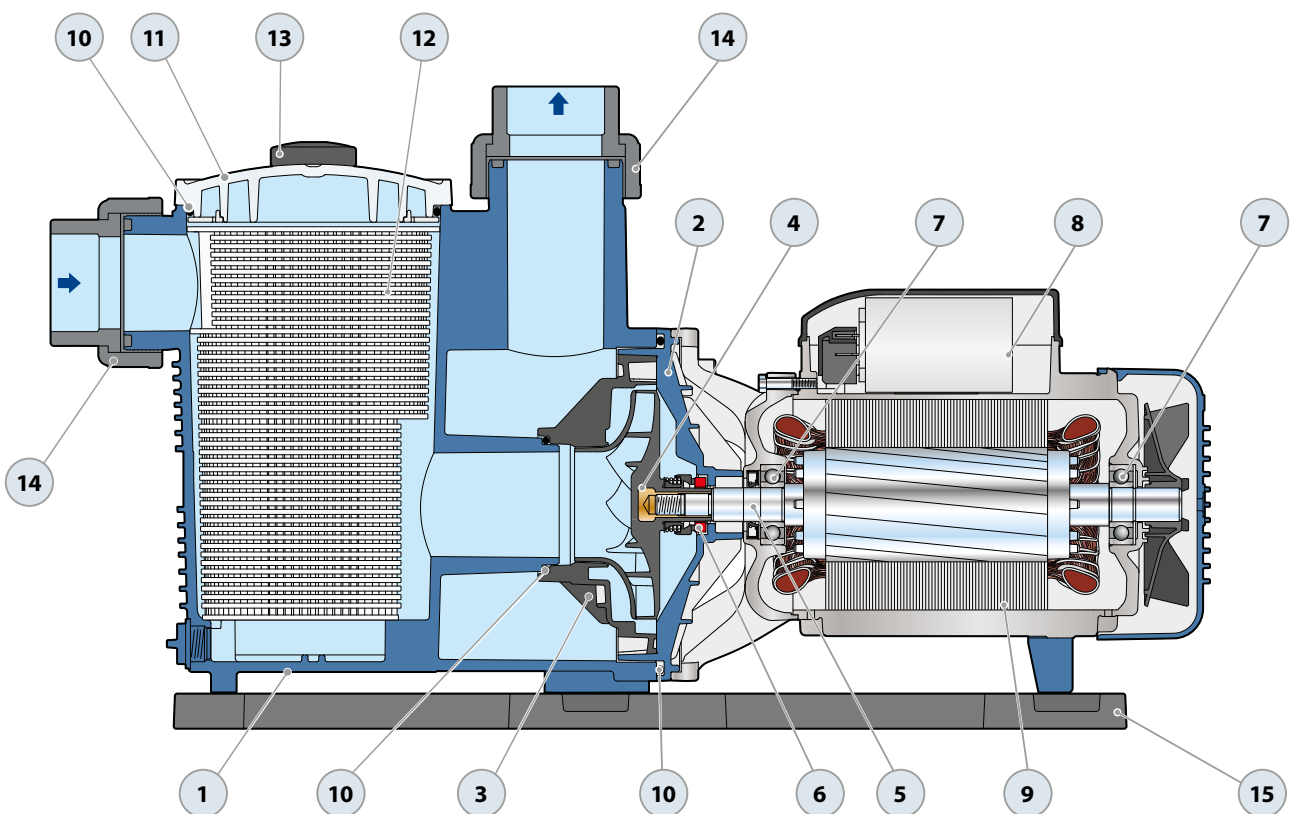
Tolerance of characteristic curves in compliance with EN ISO 9906 Grade 3B.

▲ Three-phase motor efficiency class (IEC 60034-30-1)



**POS. COMPONENT CONSTRUCTION CHARACTERISTICS**

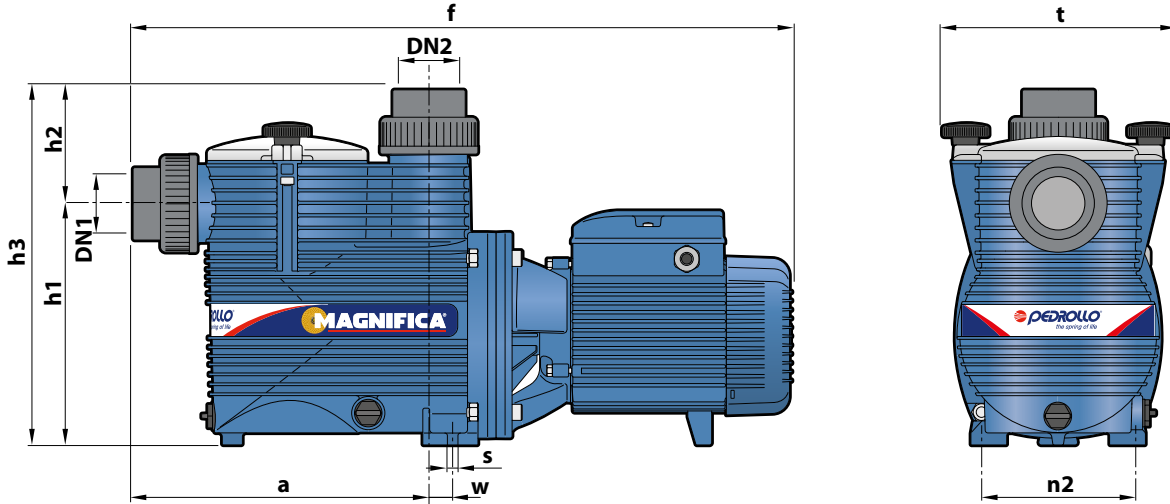
1	<b>PUMP BODY</b>	Glass fibre reinforced polypropylene with threaded ports in compliance with ISO 228/1					
2	<b>SEAL HOUSING PLATE</b>	Glass fibre reinforced polypropylene					
3	<b>DIFFUSER</b>	Noryl					
4	<b>IMPELLER</b>	Noryl					
5	<b>MOTOR SHAFT</b>	Stainless steel AISI 431					
6	<b>MECHANICAL SEAL</b>	<b>Pump</b>	<b>Seal</b>	<b>Shaft</b>	<b>Materials</b>		
		<i>Model</i>	<i>Model</i>	<i>Diameter</i>	<i>Stationary ring</i>	<i>Rotational ring</i>	<i>Elastomer</i>
		<b>MAGNIFICA 1-2</b>	<b>AR-17</b>	<b>Ø 17</b>	<b>Ceramic</b>	<b>Graphite</b>	<b>NBR</b>
		<b>MAGNIFICA 3-4-5</b>	<b>AR-20R</b>	<b>Ø 20</b>	<b>Ceramic</b>	<b>Graphite</b>	<b>NBR</b>
7	<b>BEARINGS</b>	<b>Pump</b>	<b>Model</b>				
		<b>MAGNIFICA 1-2</b>	<b>6203 2RS / 6203 2RS</b>				
		<b>MAGNIFICA 3-4-5</b>	<b>6204 2RS / 6204 2RS</b>				
8	<b>CAPACITOR</b>						
9	<b>ELECTRIC MOTOR</b>	<b>MAGNIFICA m:</b> single-phase 230 V - 50 Hz with thermal overload protector incorporated into the winding					
		<b>MAGNIFICA:</b> three-phase 230/400 V - 50 Hz.					
		<p>➡ <b>The three-phase pumps are fitted with high performance motors in class IE3 (IEC 60034-30-1)</b></p> <p>– Insulation: class F – Protection: IP 55</p>					
10	<b>OR</b>	NBR					
11	<b>BODY BACKPLATE</b>	Polycarbonate					
12	<b>PRE-FILTER</b>	Polypropylene					
13	<b>CLOSURE KNOB</b>	Nylon					
14	<b>CONNECTIONS</b>	PVC-U					
15	<b>BASE</b>	Polypropylene					





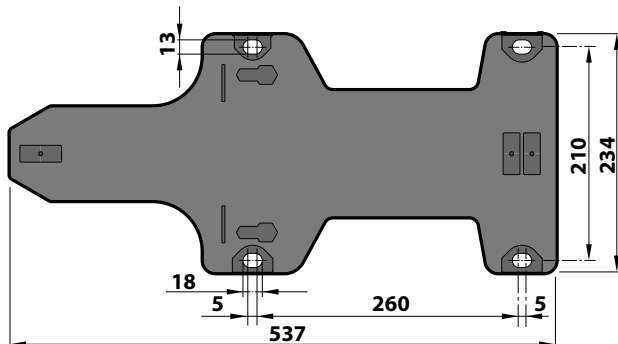
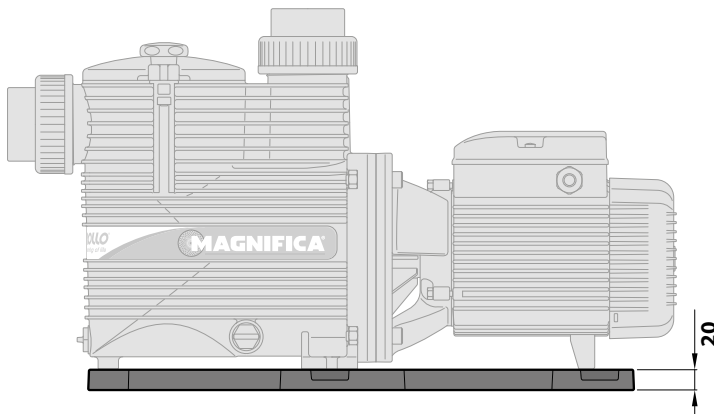
## Self-priming pumps for swimming pools

### DIMENSIONS AND WEIGHT

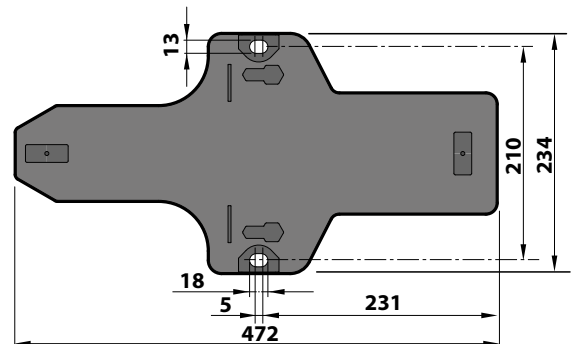


MODEL		PORTS		DIMENSIONS mm									kg	
Single-phase	Three-phase	DN1	DN2	a	f	h1	h2	h3	n2	w	s	t	1~	3~
MAGNIFICA - 1m	MAGNIFICA - 1	2"	2"	294	583	240	113	353	155	4.3	10.5	235	14.1	14.1
MAGNIFICA - 2m	MAGNIFICA - 2			294	657	240	113	353	155	15.8	10.5	235	15.0	15.0
MAGNIFICA - 3m	MAGNIFICA - 3			294	677	240	113	353	155	15.8	10.5	235	19.4	19.4
MAGNIFICA - 4m	MAGNIFICA - 4			294	677	240	113	353	155	15.8	10.5	235	20.6	20.6
MAGNIFICA - 5m	MAGNIFICA - 5			294	677	240	113	353	155	15.8	10.5	235	23.3	23.3

### BASE (mm)



MAGNIFICA 3-4-5



MAGNIFICA 1-2



## Self-priming pumps for swimming pools

### ABSORPTION AND CAPACITORS

MODEL	VOLTAGE	
	230 V	240 V
<b>Single-phase</b>	230 V	240 V
<b>MAGNIFICA - 1m</b>	4.2 A	4.0 A
<b>MAGNIFICA - 2m</b>	5.6 A	5.4 A
<b>MAGNIFICA - 3m</b>	8.2 A	7.9 A
<b>MAGNIFICA - 4m</b>	9.7 A	9.3 A
<b>MAGNIFICA - 5m</b>	13.0 A	12.5 A

MODEL	VOLTAGE					
	230 V	400 V	690 V	240 V	415 V	720 V
<b>Three-phase</b>	230 V	400 V	690 V	240 V	415 V	720 V
<b>MAGNIFICA - 1</b>	2.8 A	1.6 A	0.9 A	2.7 A	1.5 A	0.9 A
<b>MAGNIFICA - 2</b>	3.6 A	2.1 A	1.2 A	3.5 A	2.0 A	1.2 A
<b>MAGNIFICA - 3</b>	5.4 A	3.1 A	1.8 A	5.2 A	3.0 A	1.7 A
<b>MAGNIFICA - 4</b>	7.3 A	4.2 A	2.4 A	7.0 A	4.0 A	2.3 A
<b>MAGNIFICA - 5</b>	8.6 A	5.0 A	2.9 A	8.3 A	4.8 A	2.8 A

MODEL	CAPACITANCE CAPACITORS
<b>Single-phase</b>	(230 V or 240 V)
<b>MAGNIFICA - 1m</b>	20 µF - 450 VL
<b>MAGNIFICA - 2m</b>	20 µF - 450 VL
<b>MAGNIFICA - 3m</b>	31.5 µF - 450 VL
<b>MAGNIFICA - 4m</b>	45 µF - 450 VL
<b>MAGNIFICA - 5m</b>	50 µF - 450 VL



*The features and specifications herein stated are in no way binding for the manufacturer. The manufacturer is free to modify the product at any time without previous notice.*

#### Pedrollo S.p.A.

Via Enrico Fermi, 7 - 37047 San Bonifacio (Verona) Italy  
 tel. +39 045 6136311 - fax +39 045 7614663  
 vendite@pedrollo.com - sales@pedrollo.com - www.pedrollo.com

**MADE IN ITALY**