

PRIMA

Selbstansaugende Schwimmbadpumpen

Self priming pump for swimming pools

Bomba autoaspirante para piscina

Electropompe auto-amorçante pour piscine



MADE IN SPAIN

 **PEDROLLO**[®]
the spring of life



PRIMA

Selbstansaugende Schwimmbadpumpen

Self priming pump for swimming pools

Bomba autoaspirante para piscina

Electropompe auto-amorçante pour piscine



MADE IN SPAIN

- DE**
- Doppelte Verbindung, Gewinde und Stutzen
 - Innengewinde 1 1/2", Klebestutzen DN 50
 - Großer Vorfilterkorb
 - **Kataphorese Beschichtung**
 - Stützfuß aus Aluminium
 - Schrauben aus Edelstahl **AISI 304**
 - Asynchronmotor mit 2900 U/min. (3450 U/min bei 60 Hz)
 - Lager lebensdauergeschmiert
 - Schutzklasse IP55, Isolation Klasse F

- GB**
- Double connection, thread and fittings
 - 1 1/2" female thread, fittings glue DN50
 - Large pre-filter basket
 - **Cataphoresis painting**
 - Aluminum support base
 - Stainless steel screws **AISI 304**
 - Asynchronous motor at 2900 rpm (3450 rpm @ 60 Hz)
 - Lubricated bearings for life
 - IP55 Grade, class F Insulation

- SP**
- Doble conexión, rosca y racores
 - Rosca hembra 1 1/2", racor encolar DN50
 - Cesto prefiltro de gran tamaño
 - **Pintura por cataforesis**
 - Base soporte de aluminio
 - Tornillería en acero inoxidable **AISI 304**
 - Motor asíncrono a 2900 rpm (3450 rpm @ 60 Hz)
 - Rodamientos lubricados de por vida
 - Grado IP55, aislamiento clase F

- FR**
- Raccord double, montage à visser ou à coller
 - Taraudage 1 1/2", raccords à coller PVC DN50
 - Panier préfiltre grande capacité
 - **Peinture cataphorèse**
 - Embase support en aluminium
 - Vis en acier inoxydable **AISI 304**
 - Moteur asynchrone 2900 tr/min (3450 rpm @ 60 Hz)
 - Roulements lubrifiés à vie
 - Isolation IP55, classe F



- ✓ **Polypropylen mit Glasfaser**
Polypropylene with fiberglass
Polipropileno con fibra de vidrio
Polypropylène avec fibre de verre

- ✓ **Welle aus Edelstahl AISI 316**
AISI 316 stainless steel shaft
Eje en acero inoxidable AISI 316
Arbre en acier inoxydable AISI 316

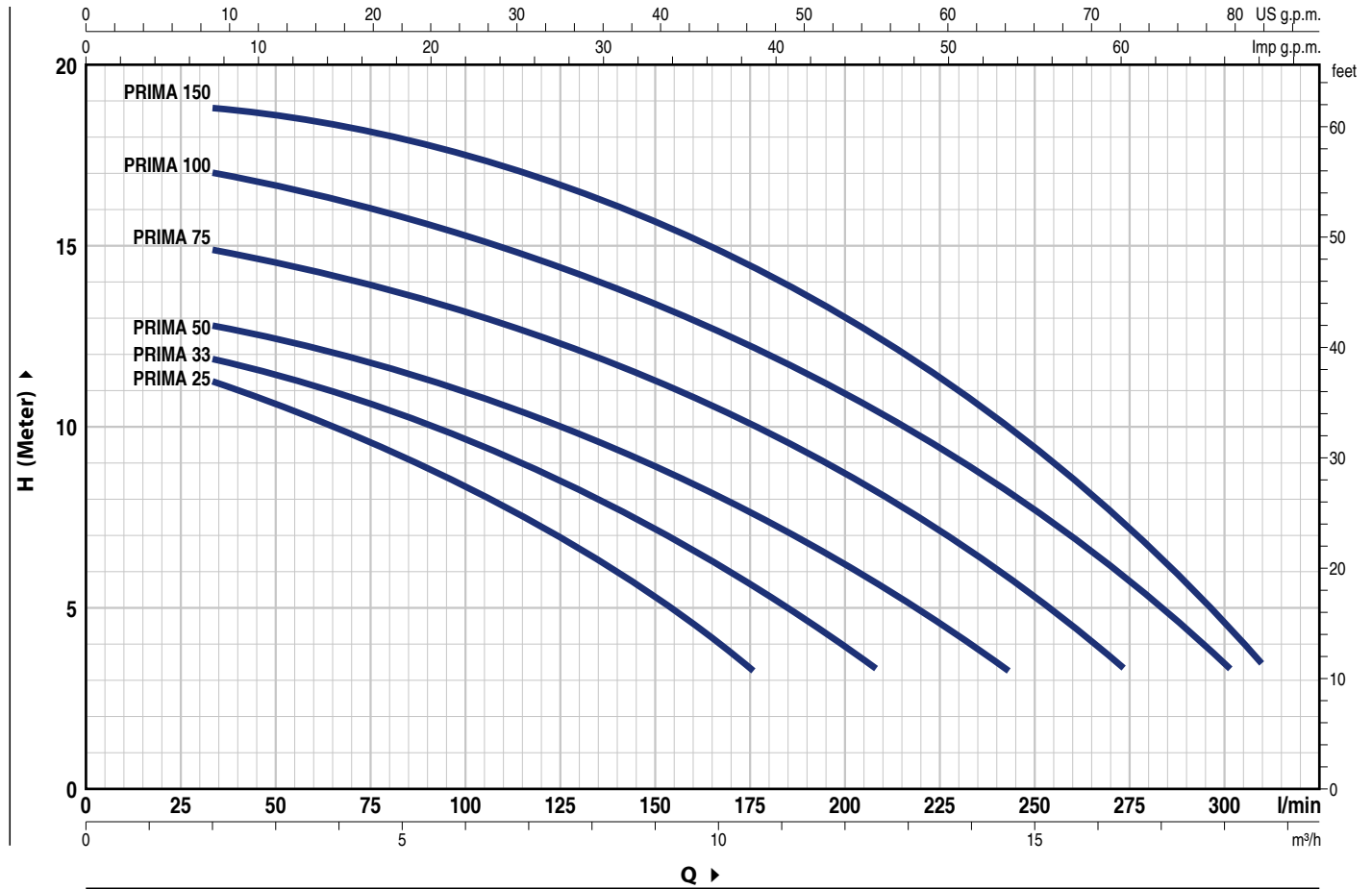
- ✓ **Noryl-Laufrad**
Impeller in Noryl
Rodete en Noryl
Turbine en Noryl

- ✓ **Gleitringdichtung aus Edelstahl AISI 316**
Mechanical seal in stainless steel AISI 316
Sello mecánico en acero inoxidable AISI 316
Garniture mécanique en acier inoxydable AISI 316

- ✓ **Vorfilterabdeckung aus Polycarbonat**
Polycarbonate prefilter cap
Tapa prefiltro en policarbonato
Couverture de préfiltre en polycarbonate

KENNLINIEN UND LEISTUNGSDATEN / CHARACTERISTIC CURVES AND PERFORMANCE DATA

50 Hz HS= 0 m



MODELL / MODEL		LEISTUNG (P ₂)			Q	H m												
1~	3~	kW	HP	▲		m ³ /h	0	2	4	6	8	10	12	14	16	18		
					l/min	0	33.3	66.7	100	133.3	166.7	200	233.3	266.7	300			
PRIMA 25 M	PRIMA 25 T	0.16	0.25	IE3	H m	12.2	11.1	9.9	8.3	6.4	4							
PRIMA 33 M	PRIMA 33 T	0.25	0.33			12.6	11.9	11	9.7	8.1	6.2	4						
PRIMA 50 M	PRIMA 50 T	0.37	0.50			13.2	12.7	12	11	9.7	8.1	6.2	4					
PRIMA 75 M	PRIMA 75 T	0.55	0.75			15.5	15	14.2	13.2	12	10.4	8.7	6.6	3.9				
PRIMA 100 M	PRIMA 100 T	0.75	1			17.6	17	16.3	15.3	14.1	12.7	11	9	6.4	3.6			
PRIMA 150 M	PRIMA 150 T	1.1	1.5			18.9	18.7	18.3	17.5	16.3	15	13.2	11	8.1	4.8			

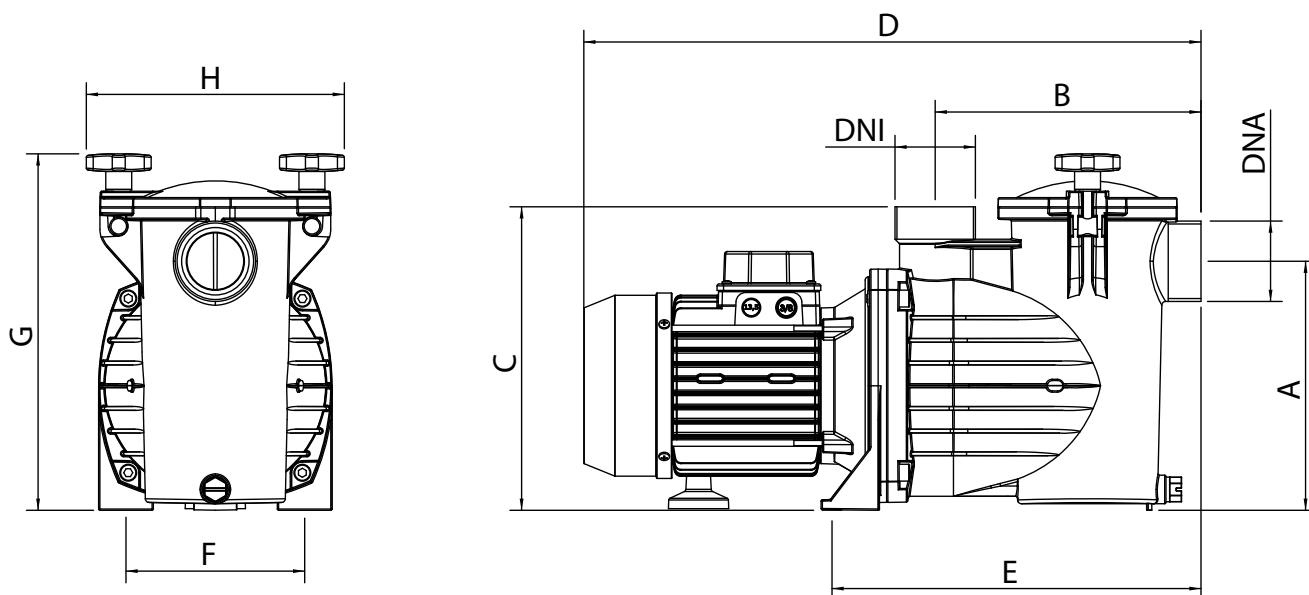
Q = Förderstrom / Flow rate H = Manometrische Förderhöhe / Total manometric head HS = Saughöhe / Suction height

Kennlinientoleranz gemäß EN ISO 9906 Grad 3B / Tolerance of characteristic curves in compliance with EN ISO 9906 Grade 3B.

▲ Dreiphasen Motoren mit Energieeffizienzklasse (IEC 60034-30-1) / ▲ Three-phase motor efficiency class (IEC 60034-30-1)

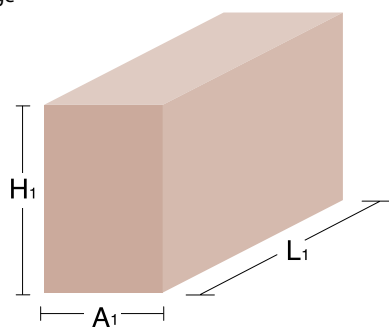
PRIMA

ABMESSUNGEN UND GEWICHTE / DIMENSIONS AND WEIGHT



Modell/Model	A	B	C	D	E	F	G	H	DNA/DNI	Kg.
Prima 25	191	205	233	476	273	140	275	197	1½"	8.8
Prima 33										
Prima 50										
Prima 75										
Prima 100										
Prima 150	9.8									

Verpackungsdaten
Packaging data
Datos embalage
Données d'emballage



Modell/Model	L1	A1	H1	Kg.
Prima 25	510	230	320	9.5
Prima 33				
Prima 50				
Prima 75				10.8
Prima 100				
Prima 150	10.8			