



MAGNIFICA®

Self-priming pumps for swimming pools



MADE IN ITALY

 **PEDROLLO**[®]
the spring of life



Self-Priming Electric Pumps with built-in prefilter in the pump body
They are recommended for recirculation of water in small and medium sized swimming pool up to 180m³.

- ※ Particularly sturdy and corrosion resistant electric pumps, made with high quality and thick components, ensuring a long life and quiet operation.
- ※ High flow rate with low energy consumption.
- ※ Pre-filter complete with transparent lid to facilitate visual inspection, wing nuts for quick opening without additional tools, extra-large filter basket to reduce the frequency of cleaning operations.
- ※ Special anti-corrosion plastic base that provides stable support for the pump and piping.
- ※ Double insulation between hydraulic parts and the electric motor. The pump/motor shaft is never in contact with water to ensure maximum safety.
- ※ High resistance to heat and to chemical and salt corrosion.
- ※ Connection fittings with 2" GAS ISO 228/1 threaded ports. Screws in AISI 316.

PERFORMANCE RANGE

- Flow rate up to **700 l/min** (42 m³/h)
- Head up to **21 m**

APPLICATION LIMITS

- Manometric suction lift up to **4 m** (HS)
- Liquid temperature up to **+40 °C**
- Ambient temperature up to **+50 °C**
- Max. working pressure in pump body **2.5 bar**
- Continuous service **S1**

INSTALLATIONS AND USE

Waters for use in swimming pools (pH 6.5 - 8.4).
Installation needs to be undertaken in ventilated areas and protected from bad weather with adequate space for maintenance.

PATENTS - TRADE MARKS - MODELS

- **MAGNIFICA®** Registered Trade Mark n° 018159079
- Registered Eu Design n° 007671839

OPTIONS AVAILABLE ON REQUEST

- Other voltages or frequencies at **60 Hz**
- Smooth connection **63 mm**
- Smooth connection **2" BS**
- Threaded connection **2" NPT**

WARRANTY

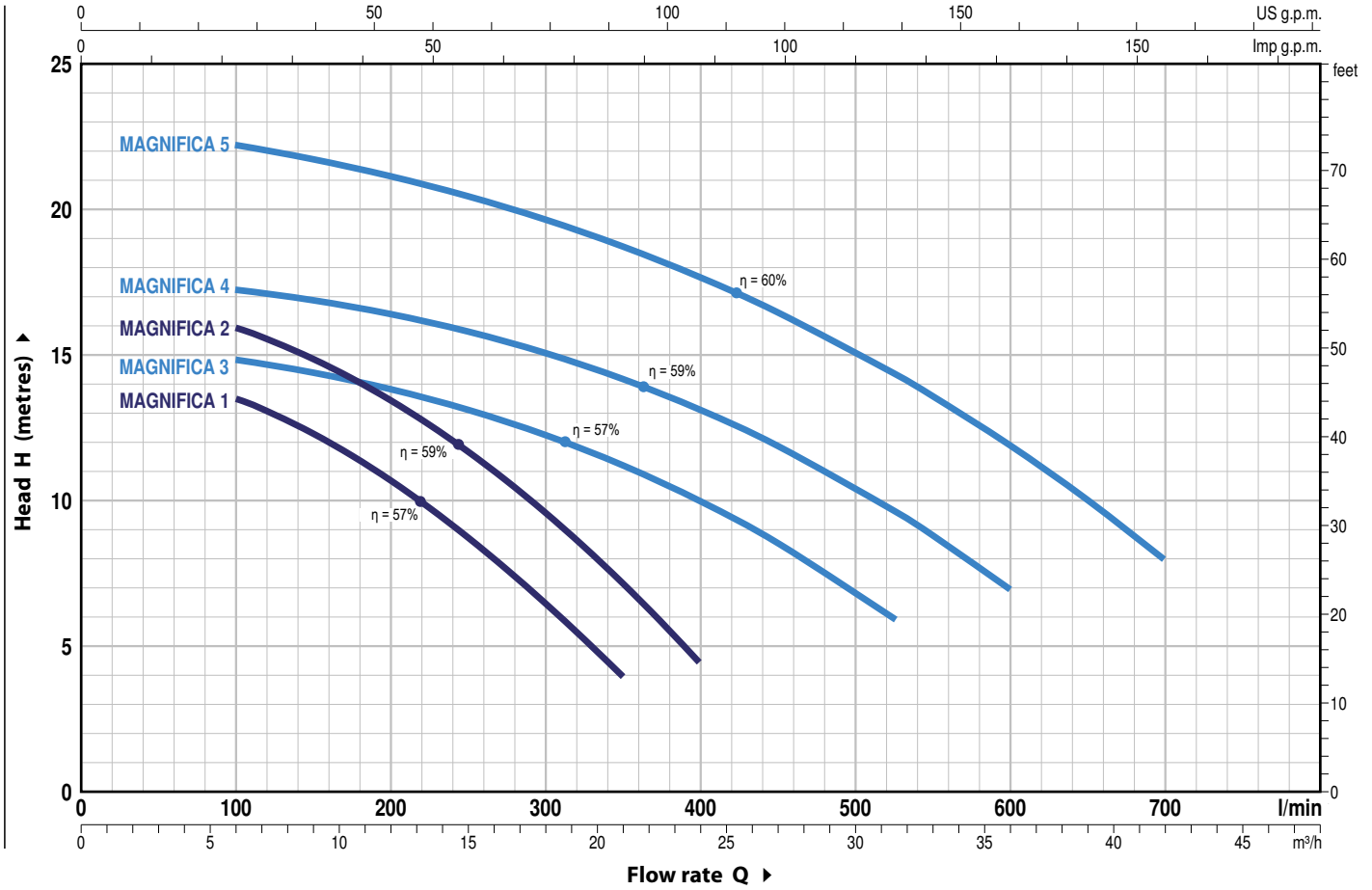
2 years in accordance with our general conditions of sale

MAGNIFICA®

Self-priming pumps for swimming pools

CHARACTERISTIC CURVES AND PERFORMANCE DATA

50 Hz n = 2900 min⁻¹ HS = 0 m



MODEL		POWER (P ₂)			Q	Flow rate (l/min)												
Single-phase	Three-phase	kW	HP	▲		0	6.0	9.0	12	15	18	21	24	30	36	42		
					0	100	150	200	250	300	350	400	500	600	700			
MAGNIFICA 1m	MAGNIFICA 1	0.55	0.75	IE3	H	metri	14.5	13.5	12.3	10.7	8.8	6.5	4					
MAGNIFICA 2m	MAGNIFICA 2	0.75	1				17	16	14.9	13.5	11.8	9.7	7.3	4.5				
MAGNIFICA 3m	MAGNIFICA 3	1.1	1.5				15.5	14.9	14.4	13.9	13.2	12.3	11.3	10	6			
MAGNIFICA 4m	MAGNIFICA 4	1.5	2				17.7	17.3	16.9	16.4	15.8	15.1	14.2	13.1	9.6	7		
-	MAGNIFICA 5	2.2	3				23	22.2	21.8	21.2	20.5	19.7	18.8	17.7	14.4	11.9	8	

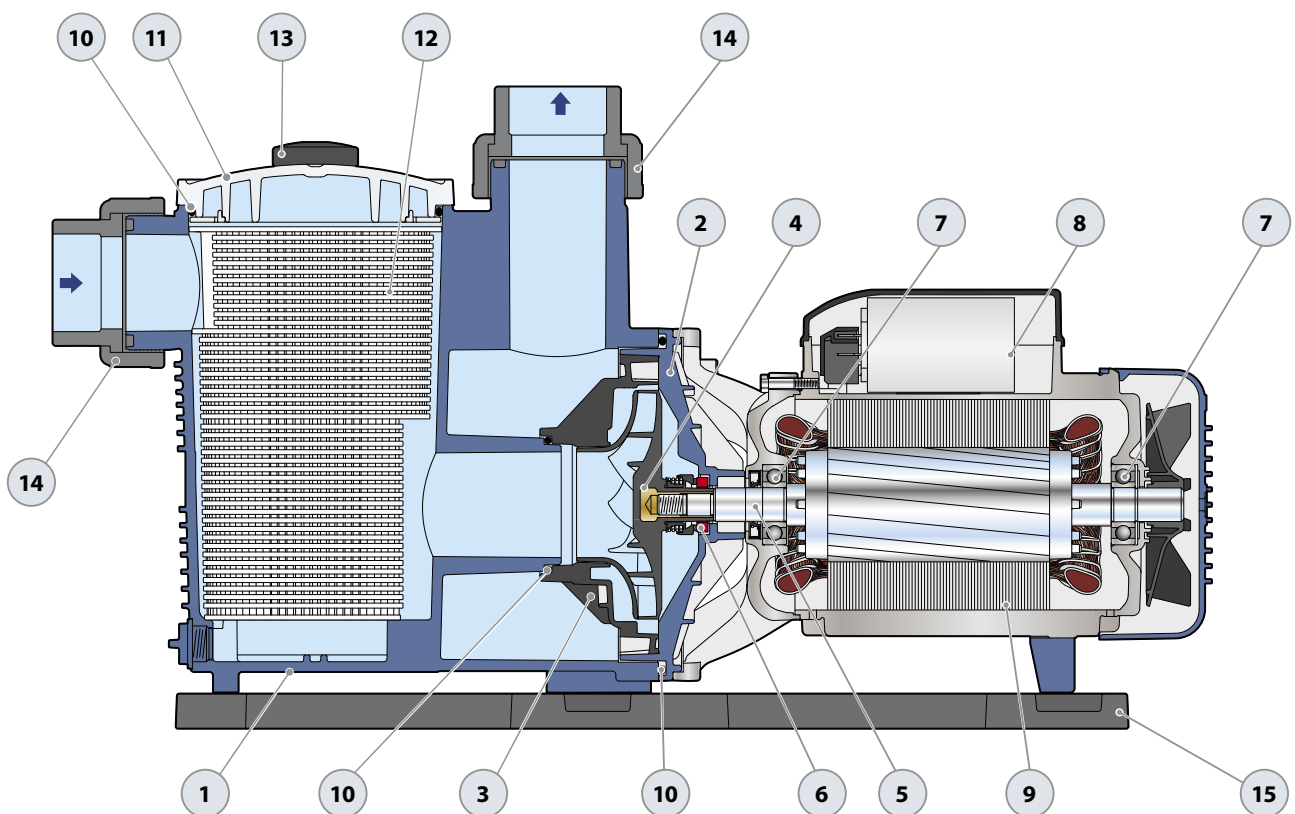
Q = Flow rate H = Total manometric head HS = Suction height

Tolerance of characteristic curves in compliance with EN ISO 9906 Grade 3B.

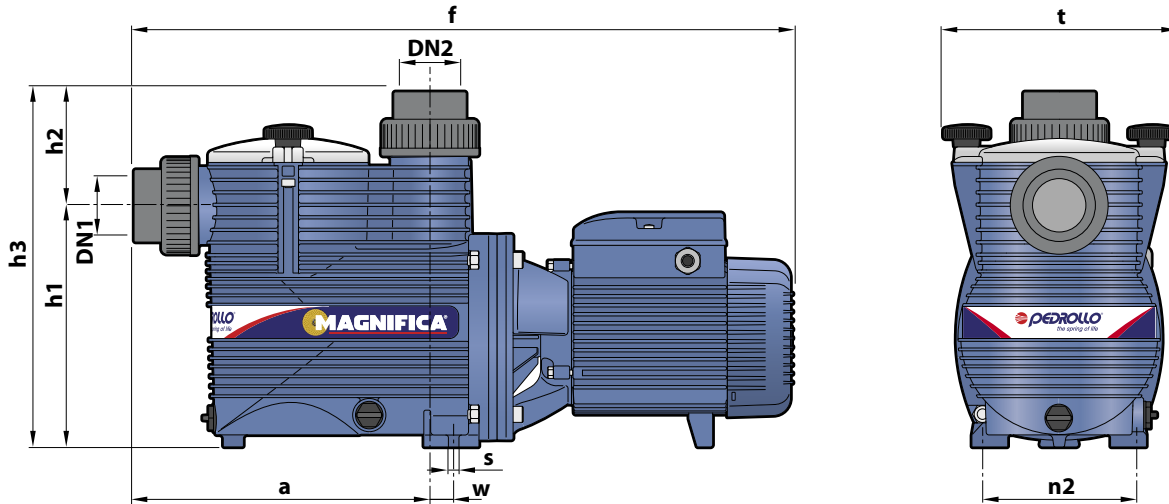
▲ Three-phase motor efficiency class (IEC 60034-30-1)

POS. COMPONENT CONSTRUCTION CHARACTERISTICS

1 PUMP BODY	Glass fibre reinforced polypropylene with threaded ports in compliance with ISO 228/1					
2 DOOR SEAL INSERT	Glass fibre reinforced polypropylene					
3 DIFFUSER	Noryl					
4 IMPELLER	Noryl					
5 MOTOR SHAFT	Stainless steel AISI 431					
6 MECHANICAL SEAL	<i>Pump</i>	<i>Seal</i>	<i>Shaft</i>	<i>Materials</i>		
	<i>Model</i>	<i>Model</i>	<i>Diameter</i>	<i>Stationary ring</i>	<i>Rotational ring</i>	<i>Elastomer</i>
	MAGNIFICA 1-2	AR-17	Ø 17	Ceramic	Graphite	NBR
	MAGNIFICA 3-4-5	AR-20R	Ø 20	Ceramic	Graphite	NBR
7 BEARINGS	<i>Pump</i>	<i>Model</i>				
	MAGNIFICA 1-2	6203 2RS / 6203 2RS				
	MAGNIFICA 3-4-5	6204 2RS / 6204 2RS				
8 CAPACITOR	<i>Pump</i>	<i>Capacitance</i>				
	<i>Single-phase</i>	<i>(230 V or 240 V)</i>				
	MAGNIFICA - 1m	20	µF - 450 VL			
	MAGNIFICA - 2m	20	µF - 450 VL			
	MAGNIFICA - 3m	31.5	µF - 450 VL			
MAGNIFICA - 4m	45	µF - 450 VL				
9 ELECTRIC MOTOR	MAGNIFICA m: single-phase 230 V - 50 Hz with thermal overload protector incorporated into the winding					
	MAGNIFICA T: three-phase 230/400 V - 50 Hz.					
	<p>➡ The three-phase pumps are fitted with high performance motors in class IE3 (IEC 60034-30-1)</p> <ul style="list-style-type: none"> - Insulation: class F - Protection: IP 55 					
10 OR	NBR					
11 BODY BACKPLATE	Polycarbonate					
12 PRE-FILTER	Polypropylene					
13 CLOSURE KNOB	Nylon					
14 CONNECTIONS	PVC-U					
15 BASE	Polypropylene					

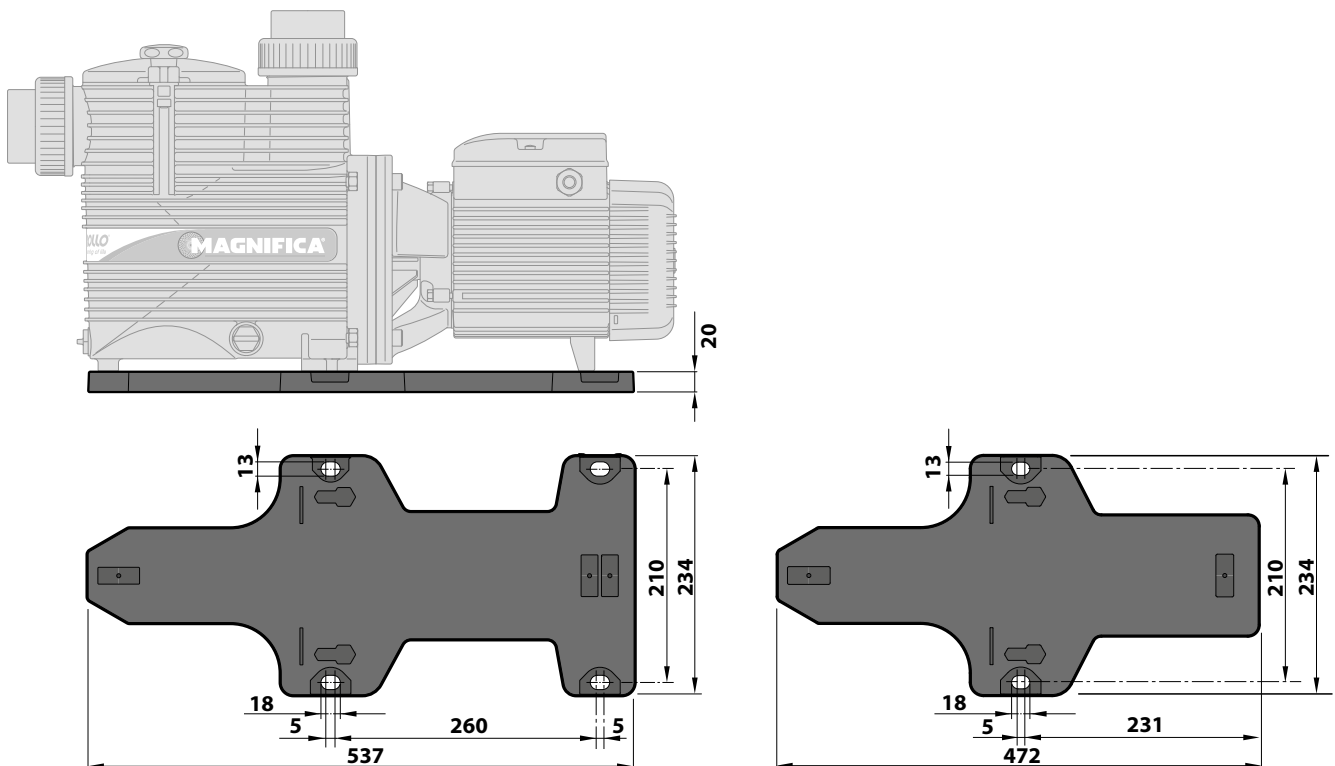


DIMENSIONS AND WEIGHT



MODEL		PORTS		DIMENSIONS mm									kg			
Single-phase	Three-phase			a	f	h1	h2	h3	n2	w	s	t	1~	3~		
MAGNIFICA - 1m	MAGNIFICA - 1T	2"	2"	294	583	240	113	353	155	4.3	10.5	235	14.0	13.9		
MAGNIFICA - 2m	MAGNIFICA - 2T													14.9	14.8	
MAGNIFICA - 3m	MAGNIFICA - 3T														19.4	19.3
MAGNIFICA - 4m	MAGNIFICA - 4T					294	657	240	113	353	155	15.8	10.5	235	20.4	20.4
-	MAGNIFICA - 5T						677								-	23.1

BASE (mm)



MAGNIFICA 3-4-5

MAGNIFICA 1-2



Self-priming pumps for swimming pools

ABSORPTION AND CAPACITORS

MODEL	VOLTAGE	
	230 V	240 V
Single-phase	230 V	240 V
MAGNIFICA - 1m	4.2 A	4.0 A
MAGNIFICA - 2m	5.6 A	5.4 A
MAGNIFICA - 3m	8.2 A	7.9 A
MAGNIFICA - 4m	10.4 A	10 A

MODEL	TENSIONE					
	230 V	400 V	690 V	240 V	415 V	720 V
Three-phase	230 V	400 V	690 V	240 V	415 V	720 V
MAGNIFICA - 1T	2.8 A	1.6 A	0.9 A	2.7 A	1.5 A	0.9 A
MAGNIFICA - 2T	3.6 A	2.1 A	1.2 A	3.5 A	2.0 A	1.2 A
MAGNIFICA - 3T	6.2 A	3.6 A	2.1 A	5.9 A	3.5 A	2.0 A
MAGNIFICA - 4T	7.8 A	4.5 A	2.6 A	7.5 A	4.3 A	2.5 A
MAGNIFICA - 5T	8.7 A	5.0 A	2.9 A	8.3 A	4.8 A	2.8 A

MODEL	CAPACITANCE CAPACITORS
Single-phase	(230 V or 240 V)
MAGNIFICA - 1m	20 μF - 450 VL
MAGNIFICA - 2m	20 μF - 450 VL
MAGNIFICA - 3m	31.5 μF - 450 VL
MAGNIFICA - 4m	45 μF - 450 VL



Pedrollo S.p.A.

Via Enrico Fermi, 7 - 37047 San Bonifacio (Verona) Italy
 tel. +39 045 6136311 - fax +39 045 7614663
 vendite@pedrollo.com - sales@pedrollo.com - www.pedrollo.com

MADE IN ITALY

Z-DPL90067UK