

Submersible pumps

-  Sewage water
-  Domestic use
-  Civil use



PERFORMANCE RANGE

- Flow rate up to **400 l/min** (24 m³/h)
- Head up to **13 m**

APPLICATION LIMITS

- **5 m** maximum immersion depth (with a sufficiently long power cable)
- Maximum liquid temperature **+40 °C**
- Passage of solids:
 - up to **Ø 30 mm** for ZXm 2/30
 - up to **Ø 40 mm** for ZXm 2/40
- Minimum immersion depth for continuous service:
 - **265 mm** for ZXm 2/30
 - **275 mm** for ZXm 2/40

CONSTRUCTION AND SAFETY STANDARDS

The pumps are complete with:

- **5 m** long power cable
- float switch
- kose connection Ø 50 mm

EN 60335-1
IEC 60335-1
CEI 61-150

EN 60034-1
IEC 60034-1
CEI 2-3



CERTIFICATIONS

Company with management system certified DNV
ISO 9001: QUALITY



INSTALLATION AND USE

ZX2 series pumps are suitable for draining **dirty water** in domestic and civil applications and for pumping dirty water containing suspended solids up to Ø 40 mm. They distinguish themselves for the ease with which they are installed and their reliability under automatic operating conditions in fixed installations.

PATENTS - TRADE MARKS - MODELS

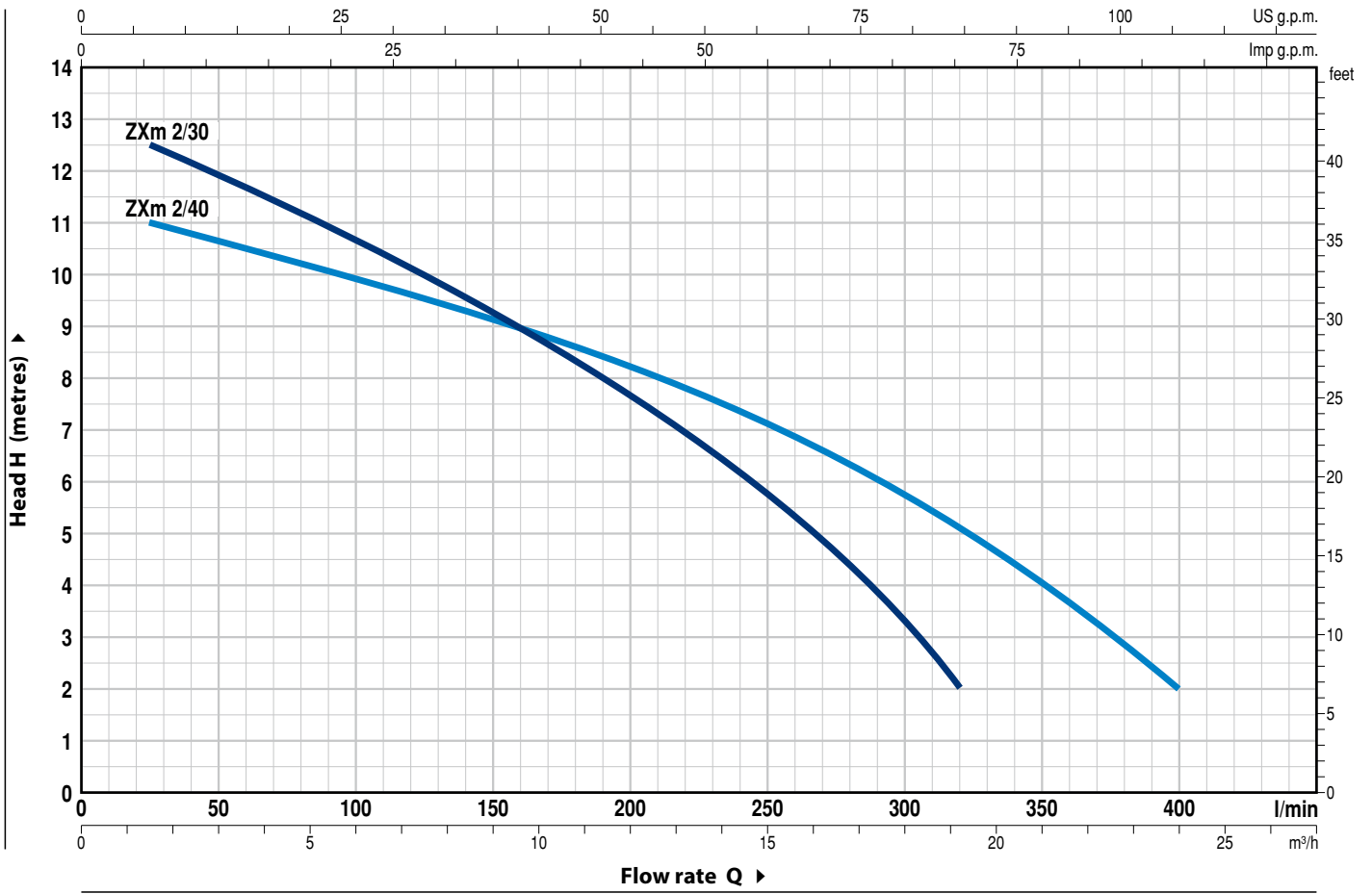
- Patent n° EP2313658
- Patent Pending n° BO2015A000116

OPTIONS AVAILABLE ON REQUEST

- Pumps with a 10 m long power cable.
 - ➔ N.B.: Standard EN 60335-2-41 states that the power cable must be 10 m long for outdoor applications
- Single-phase pumps without float switch
- Other voltages or 60 Hz frequency

CHARACTERISTIC CURVES AND PERFORMANCE DATA

50 Hz n= 2900 min⁻¹

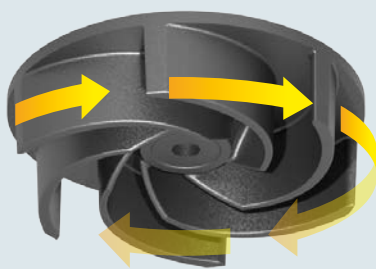


MODEL Single-phase	POWER (P ₂)		Q	Flow rate													
	kW	HP		m ³ /h	0	1.5	3	6	9	12	15	18	19.2	21	24		
ZXm 2/30	0.55	0.75	l/min	0	25	50	100	150	200	250	300	320	350	400			
ZXm 2/40	0.55	0.75	H metres	13	12.5	11.8	10.6	9.3	7.6	5.8	3.3	2					
				11.5	11	10.6	9.8	9.2	8.2	7.2	5.7	5.2	4	2			

Q = Flow rate H = Total manometric head

Tolerance of characteristic curves in compliance with EN ISO 9906 Grade 3B.

VORTEX IMPELLER



POS. COMPONENT CONSTRUCTION CHARACTERISTICS

1	PUMP BODY	Glass fibre reinforced technopolymer complete with threaded delivery port in compliance with ISO 228/1 (5 years guarantee)
2	BASE	Glass fibre reinforced technopolymer
3	IMPELLER	Glass fibre reinforced technopolymer VORTEX type
4	MOTOR CASING	Stainless steel AISI 304
5	MOTOR CASING PLATE	Stainless steel AISI 304
6	MOTOR SHAFT	Stainless steel AISI 431

7 SHAFT WITH DOUBLE MECHANICAL SEAL SEPARATED BY AN OIL CHAMBER

Seal Model	Shaft Diameter	Position	Materials		
			Stationary ring	Rotational ring	Elastomer
MG1-14D SIC	Ø 14 mm	Motor side	Silicon carbide	Graphite	NBR
		Pump side	Silicon carbide	Silicon carbide	NBR

8 BEARINGS 6203 ZZ / 6203 ZZ

9 CAPACITOR

Capacitance
(220-230 V or 240 V)

20 µF 450 VL

10 ELECTRIC MOTOR

ZXm 2: single-phase 220-230 V - 50 Hz
with thermal overload protector incorporated into the winding

- Insulation: class F
- Protection: IP X8

11 POWER CABLE

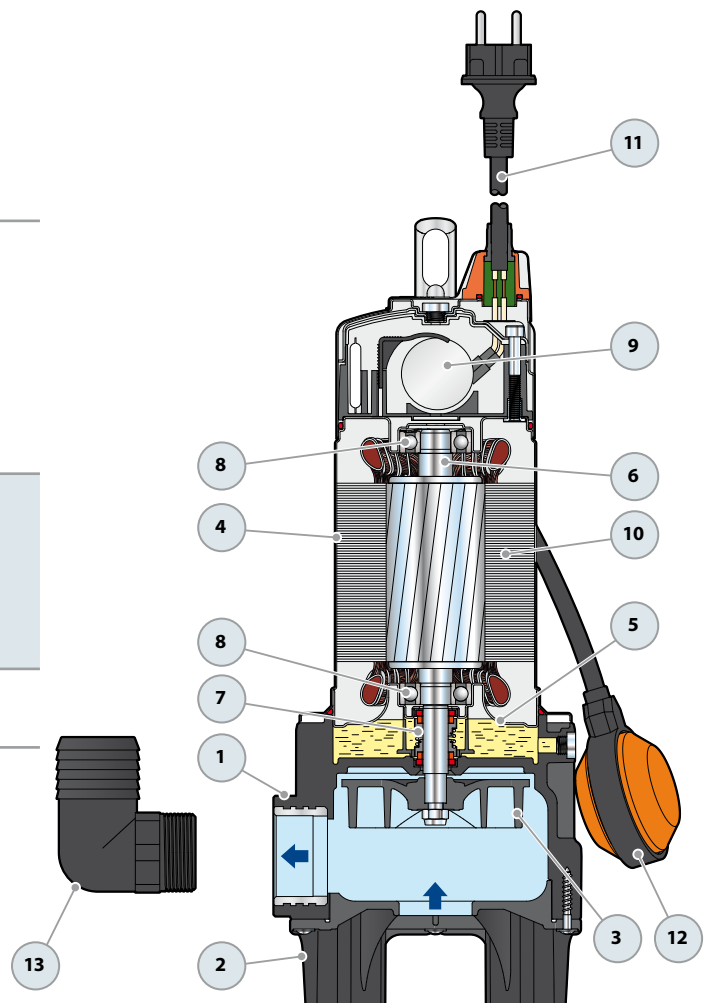
"H07 RN-F" type
(with Schuko plug for single-phase versions only)

Standard length 5 metres

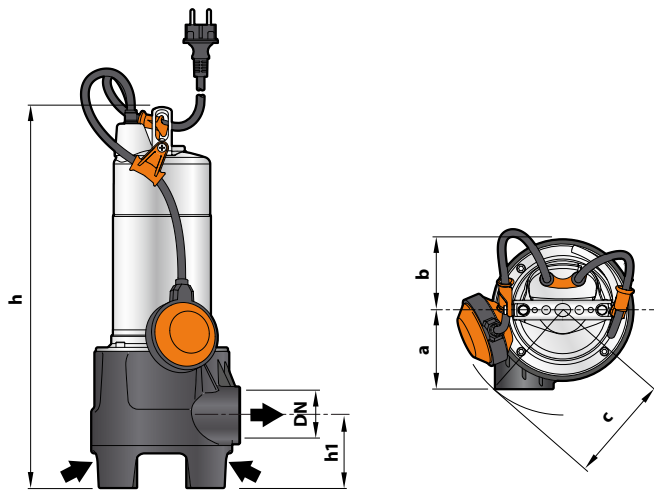
12 FLOAT SWITCH

13 HOSE CONNECTION

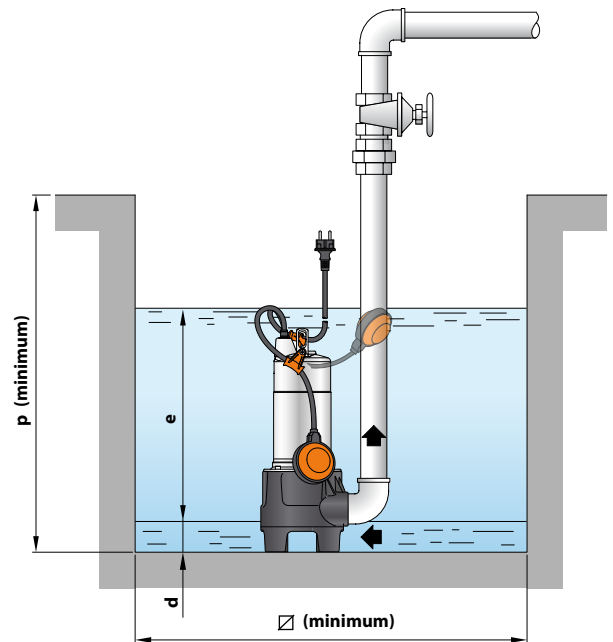
Ø 50 mm



DIMENSIONS AND WEIGHT



Standard installation



MODEL	PORT DN	Passage of solids	DIMENSIONS mm									kg 1~
			a	b	c	h	h1	d	e	p	∅	
ZXm 2/30	1½"	∅ 30 mm	90	81	118	412	73	50	variable	500	500	10.8
ZXm 2/40		∅ 40 mm				422	83					

ABSORPTION

MODEL	VOLTAGE	
	230 V	240 V
ZXm 2/30	4.0 A	3.9 A
ZXm 2/40	4.0 A	3.9 A

PALLETIZATION

MODEL	GROUPAGE	CONTAINER
Single-phase	n. pumps	n. pumps
ZXm 2/30	54	72
ZXm 2/40	54	72