

※ For pools up to  
135 m<sup>3</sup>



- ※ Robust electric pumps constructed with high-quality components and thick materials for extended durability and quiet operation.
- ※ Pre-filter equipped with a transparent cover for easy visual inspection, featuring an extra-large filter basket to reduce cleaning frequency.

- ※ High resistance to heat, chemicals, and salt corrosion.
- ※ Motor case painted with cathoporesis for added protection
- ※ Supplied with 2" GAS threaded ISO 228/1 connection fittings and AISI 304 screws

### PERFORMANCE RANGE

- Flow rate up to **600 l/min** (36 m<sup>3</sup>/h)
- Head up to **21 m**

### INSTALLATION AND USE

Self-priming pump with a built-in filter, designed for water circulation in residential swimming pools up to **135 m<sup>3</sup>**.

### APPLICATION LIMITS

- Manometric suction head up to **4 m** (HS)
- Liquid temperature up to **+40 °C**
- Ambient temperature up to **+40 °C**
- Maximum working pressure **2.5 bar**
- Swimming pool water (pH 6.5 – 8.4).

### AVAILABLE UPON REQUEST

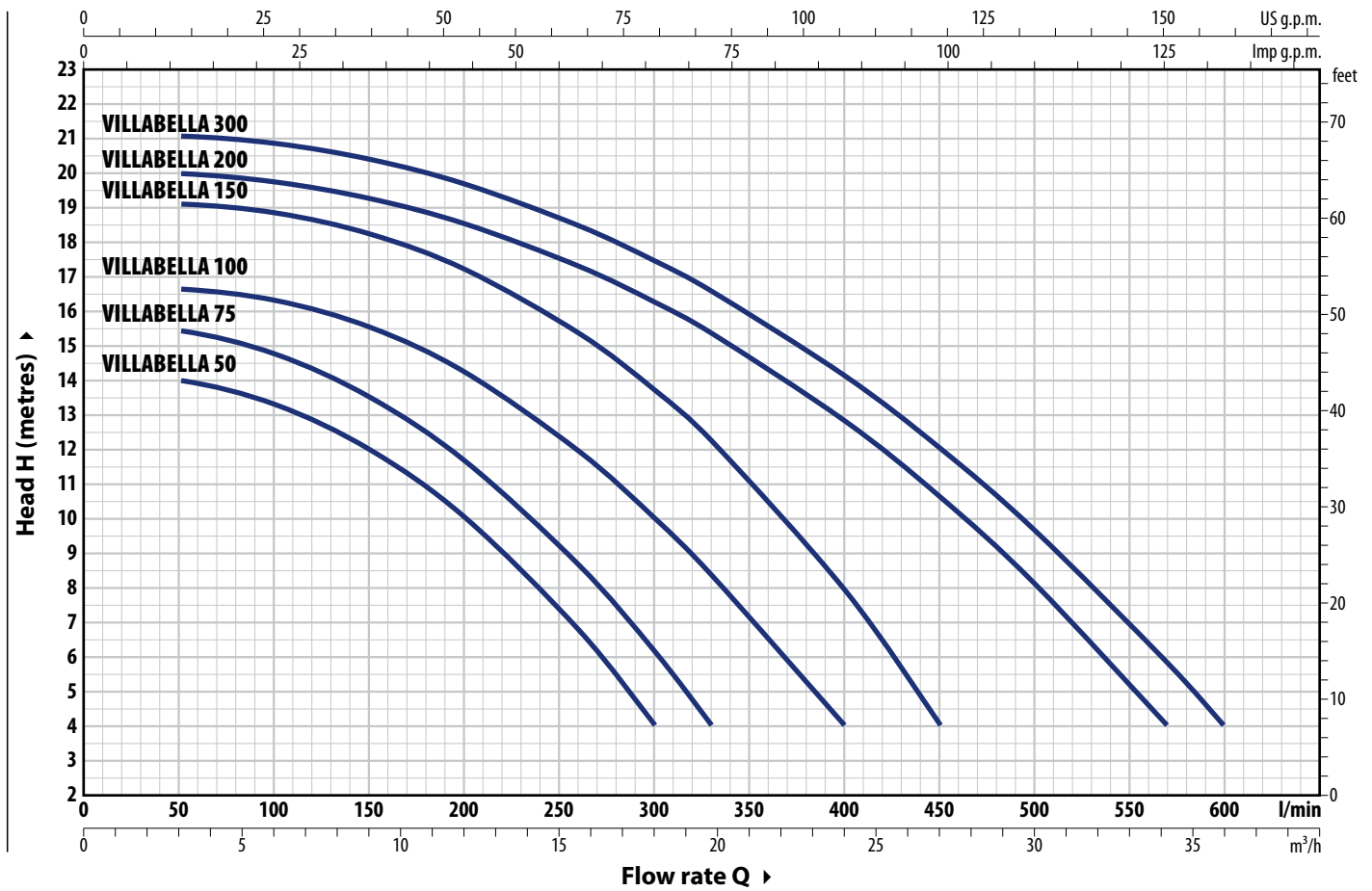
- ※ Smooth connection fitting **63 mm**
- ※ Smooth connection fitting **2" BS**

Key to open the pre-filter cover included.



**CURVES AND PERFORMANCE DATA – HS=0 m**

**50 Hz**



TYPE		POWER (P <sub>2</sub> )		1~ 3~	Q	H metres													
Single-phase	Three-phase	kW	HP			m <sup>3</sup> /h	0	3	6	9	12	15.6	18	19.8	24	27	34.2	36	
						l/min	0	50	100	150	200	260	300	330	400	450	570	600	
VILLABELLA 50m	VILLABELLA 50	0.37	0.50	IE2 IE3	H metres	14	14	13.3	12	10	6.8	4							
VILLABELLA 75m	VILLABELLA 75	0.55	0.75			15.5	15.5	14.8	13.5	11.7	8.7	6	4						
VILLABELLA 100m	VILLABELLA 100	0.75	1			16.5	16.4	16.3	15.6	14.2	12	10	8.3	4					
VILLABELLA 150m	VILLABELLA 150	1.1	1.5			19	18.9	18.8	18.2	17.2	15.3	13.7	12.2	8	4				
VILLABELLA 200m	VILLABELLA 200	1.5	2			20	19.9	19.8	19.3	18.5	17.3	16.3	15.4	12.8	10.6	4			
VILLABELLA 300m	VILLABELLA 300	2.2	3			21	20.9	20.8	20.4	19.7	18.5	17.4	16.6	14	12	5.8	4		

Q = Flow rate H = Total manometric head HS = Suction height

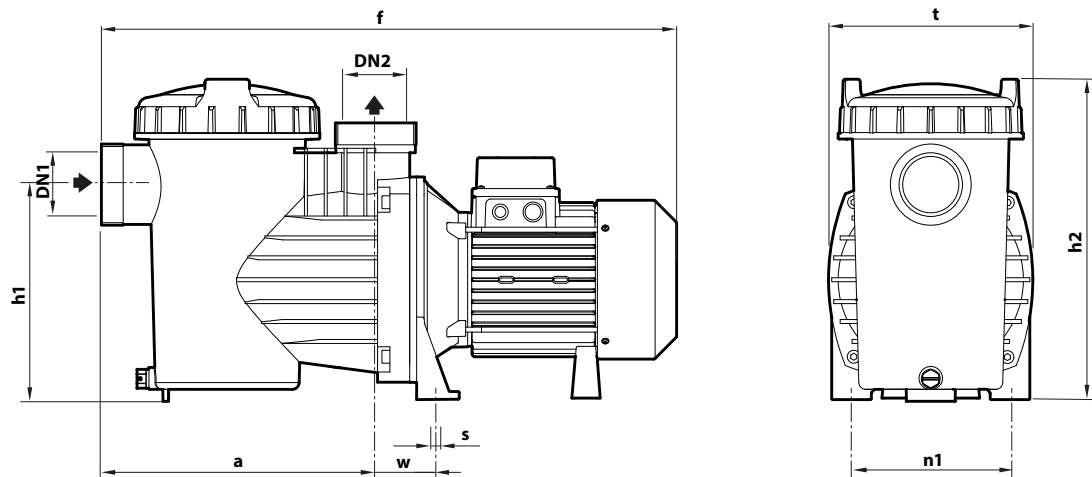
Performance curves comply with EN ISO 9906 Grade 3B tolerance limits.

### ABSORPTION

TYPE	VOLTAGE
<b>Single-phase</b>	<b>230 V</b>
<b>VILLABELLA 50m</b>	4.2 A
<b>VILLABELLA 75m</b>	4.7 A
<b>VILLABELLA 100m</b>	6.0 A
<b>VILLABELLA 150m</b>	7.5 A
<b>VILLABELLA 200m</b>	9.5 A
<b>VILLABELLA 300m</b>	10.5 A

TYPE	VOLTAGE	
	<b>230 V - Δ</b>	<b>400 V - ƿ</b>
<b>VILLABELLA 50</b>	2.8 A	1.6 A
<b>VILLABELLA 75</b>	2.9 A	1.7 A
<b>VILLABELLA 100</b>	3.5 A	2.0 A
<b>VILLABELLA 150</b>	4.8 A	2.8 A
<b>VILLABELLA 200</b>	6.6 A	3.8 A
<b>VILLABELLA 300</b>	7.4 A	4.3 A

### DIMENSIONS AND WEIGHT



Single-phase	TYPE	Three-phase	PORTS		DIMENSIONS mm							kg		
			DN1	DN2	a	f	h1	h2	n1	w	s	t	1~	3~
<b>VILLABELLA 50m</b>	<b>VILLABELLA 50</b>		<b>2"</b>	<b>2"</b>	277	550	216	315	160	84	9	206	11.7	11.7
<b>VILLABELLA 75m</b>	<b>VILLABELLA 75</b>	11.5											11.5	
<b>VILLABELLA 100m</b>	<b>VILLABELLA 100</b>	12.9											12.9	
<b>VILLABELLA 150m</b>	<b>VILLABELLA 150</b>	13.9				13.9								
<b>VILLABELLA 200m</b>	<b>VILLABELLA 200</b>	14.9				14.9								
<b>VILLABELLA 300m</b>	<b>VILLABELLA 300</b>	17.4				17.4								

## MATERIALS AND COMPONENTS

<b>1 Pump body</b>	Glass-fibre reinforced polypropylene		
<b>2 Seal insert</b>	Glass-fibre reinforced polypropylene		
<b>3 Diffuser</b>	Glass-fibre reinforced polypropylene		
<b>4 Impeller</b>	Noryl™		
<b>5 Mechanical seal</b>	Seal	Shaft	Materials
	<b>AR-15</b>	Ø 15	Graphite / Alumina Oxide / NBR
<b>6 Motor shaft</b>	Stainless steel <b>AISI 316</b>		
<b>7 Electric motor</b>	<b>VILLABELLA m:</b> single-phase 230 V - 50 Hz with winding integrated thermal motor protection <b>VILLABELLA:</b> three-phase 230/400 V - 50 Hz ※ Pumps are equipped with high-efficiency motors (IEC 60034-30-1) class <b>IE3</b> for three-phase models – Continuous running duty <b>S1</b> – Insulation: CLASS F – Protection rating: IP 55		
<b>8 O-Ring (OR)</b>	NBR		
<b>9 Cover</b>	Polycarbonate		
<b>10 Pre-filter</b>	Polypropylene		
<b>11 Fittings</b>	PVC		

