

TISSEL-100

Pumps with inverter

-  Clean water
-  Domestic use
-  Civil use



TS1-4CP 100



TS1-5CR 100



TS1-2CP

DESCRIPTION

- TISSEL 100 are compact pumping unit made by centrifugal pump and variable speed device (inverter) with a built-in pressure sensor.
- Sturdy and simple to use, TISSEL 100 is ideal to keep always constant pressure inside system regardless variation of utilities.
- Speed regulator water cooled at IP 65. Powered by alternate single-phase tension (230±10% V - 50/60 Hz), it gives output tension as 3-phase alternate to supply water pump motor at IE3 class.
- Smooth start and stop of the pump.
- Lower wear of the water pump due to modulation of running speed from the inverter.

PROTECTIONS

- **Dry running**
Microchip action stops pump after few seconds and try scheduled set restarts to check water availability.
- **Running pressure lower than minimum set running**
It stops the pump after few seconds (i.e. when there is a break in a pipe).
- **Currents-tensions-temperatures**
It limits currents; it informs whether tension reaches the allowed limits, it protects from overheating as well as short circuits between the output phases.

CONSTRUCTION AND SAFETY STANDARDS

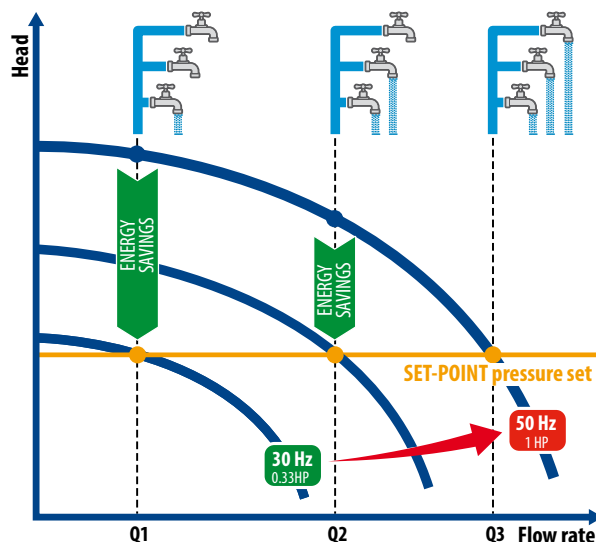
EN 60335-1
IEC 60335-1
CEI 61-150

EN 60034-1
IEC 60034-1
CEI 2-3



ENERGY SAVINGS

As it works at variable speed, TISSEL 100 uses only the necessary energy demand required by the system according to the water demand.



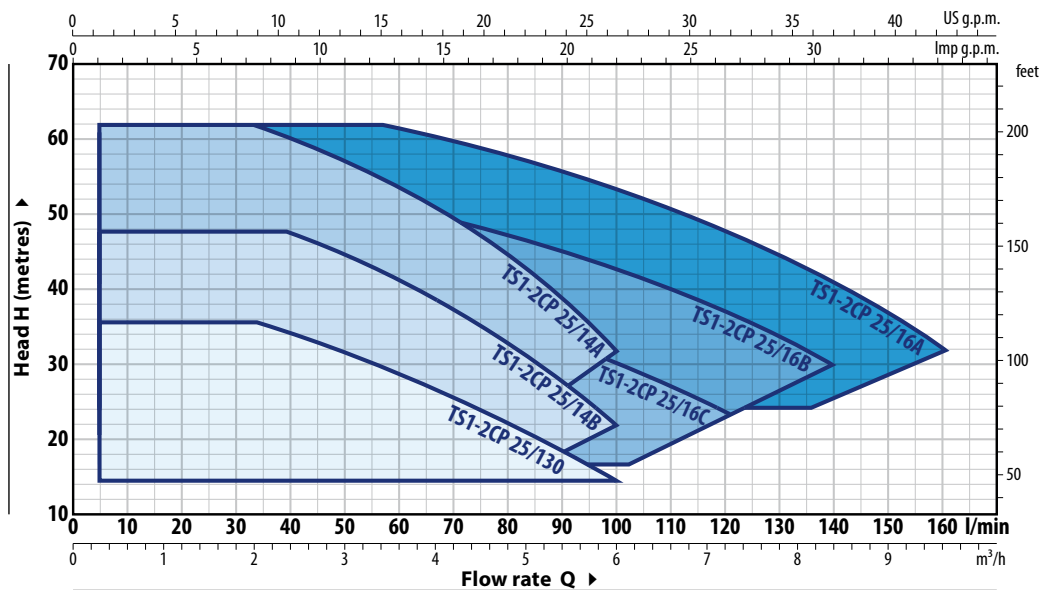
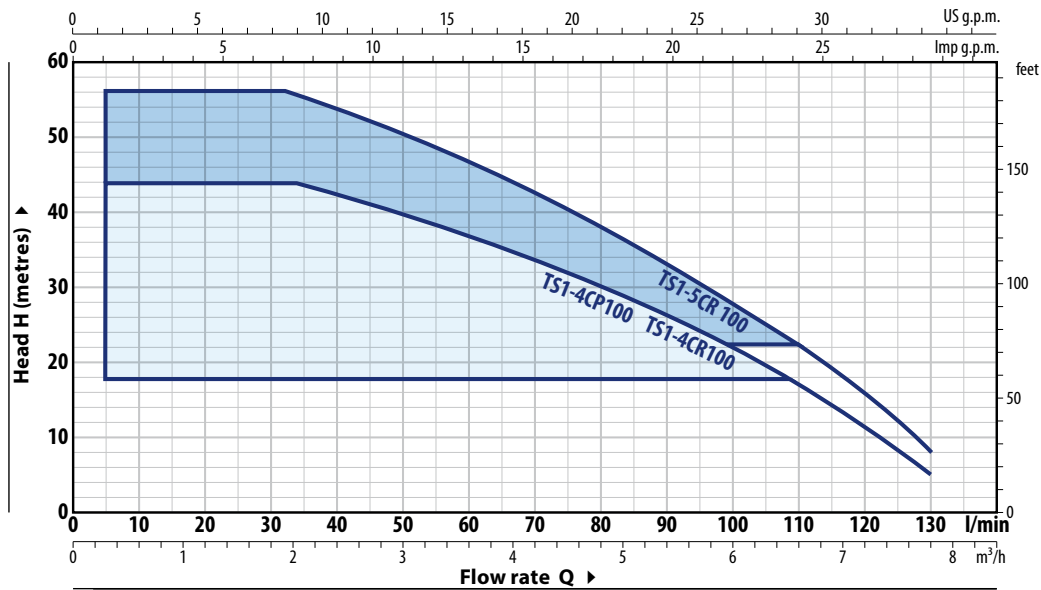
CERTIFICATIONS

Company with management system certified DNV
ISO 9001: QUALITY

GUARANTEE

2 years subject to terms and conditions

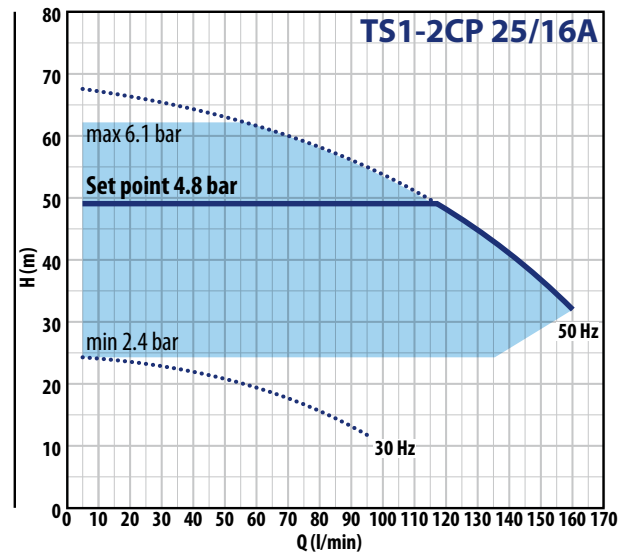
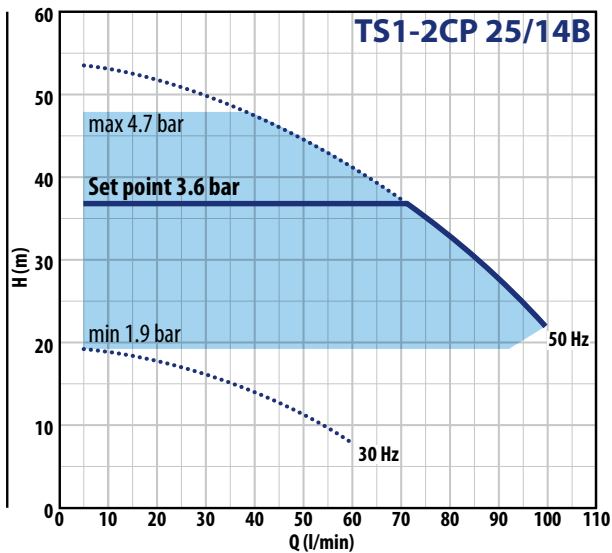
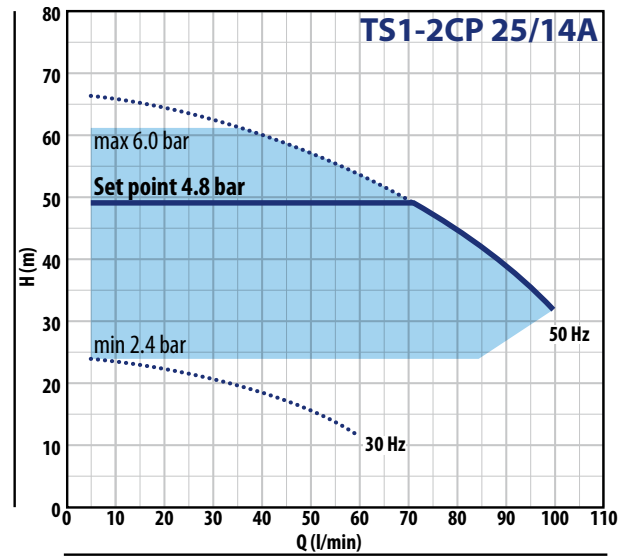
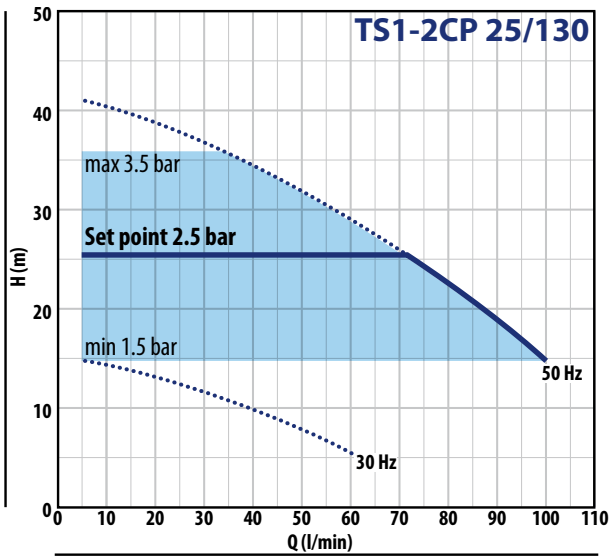
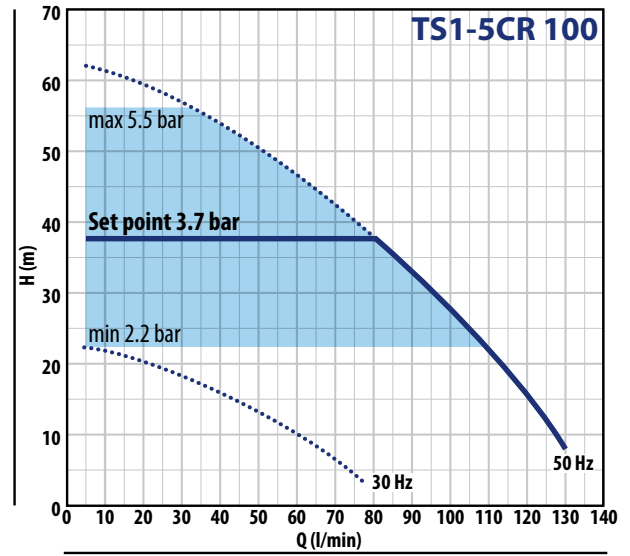
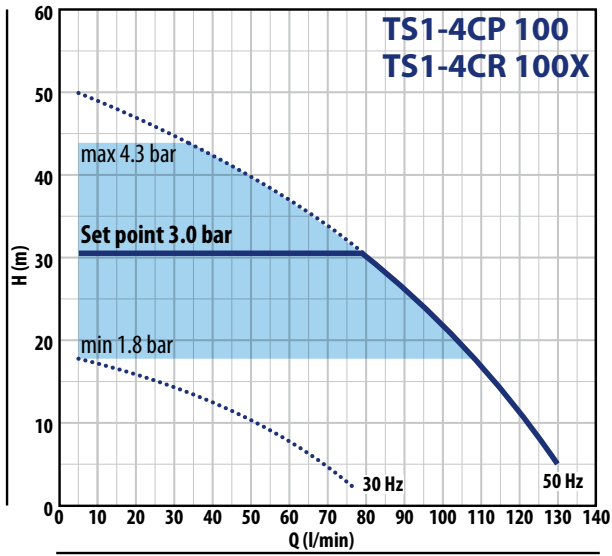
PERFORMANCE RANGE n= 3450 min⁻¹



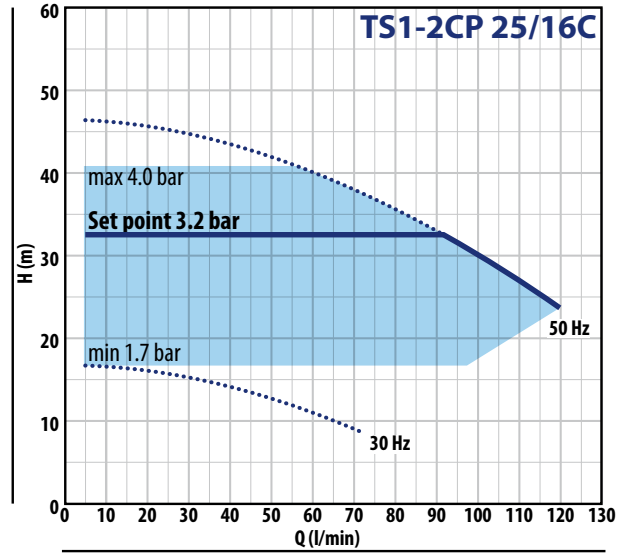
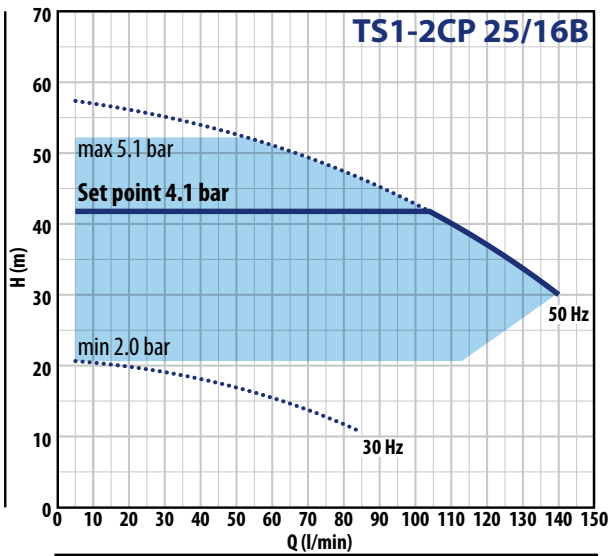
MODEL	POWER			ABSORPTION 230 V	MAX PERFORMANCES		PERFORMANCES (ADJUSTABLE SET POINT)					
	P2 kW	HP	▲		Q l/min	H metres	Min. Set Point		Set Point Stand. Setting		Max. Set Point	
Single-phase						bar	l/min	bar	l/min	bar	l/min	
TS1-4CP 100	0.75	1	IE3	9.2 A	5 – 130	44 – 5	1.8	5 – 107	3.0	5 – 80	4.3	5 – 33
TS1-4CR 100X	0.75	1	IE3	9.2 A	5 – 130	44 – 5	1.8	5 – 107	3.0	5 – 80	4.3	5 – 33
TS1-5CR 100	0.75	1	IE3	10.0 A	5 – 130	56 – 8	2.2	5 – 107	3.7	5 – 80	5.5	5 – 33
TS1-2CP 25/130	0.75	1	IE3	9.5 A	5 – 100	36 – 15	1.5	5 – 100	2.5	5 – 67	3.5	5 – 34
TS1-2CP 25/14B	1.1	1.5	IE3	10.5 A	5 – 100	48 – 22	1.9	5 – 92	3.6	5 – 70	4.7	5 – 35
TS1-2CP 25/14A	1.5	2		16.0 A	5 – 100	61 – 32	2.4	5 – 85	4.8	5 – 70	6.0	5 – 35
TS1-2CP 25/16C	1.1	1.5		11.5 A	5 – 120	41 – 24	1.7	5 – 100	3.2	5 – 85	4.0	5 – 52
TS1-2CP 25/16B	1.5	2	IE3	13.5 A	5 – 140	52 – 30	2.0	5 – 110	4.1	5 – 100	5.1	5 – 52
TS1-2CP 25/16A	2.2	3		21.5 A	5 – 160	62 – 32	2.4	5 – 135	4.8	5 – 115	6.1	5 – 52

TISSEL-100

CHARACTERISTIC CURVES $n = 3450 \text{ min}^{-1}$



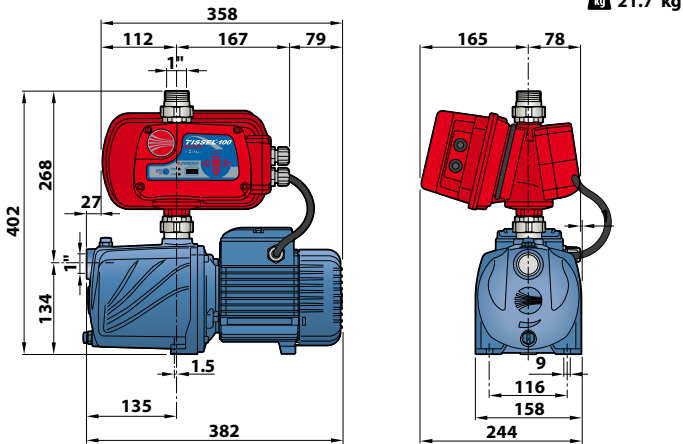
CHARACTERISTIC CURVES n= 3450 min⁻¹



DIMENSIONS (mm)

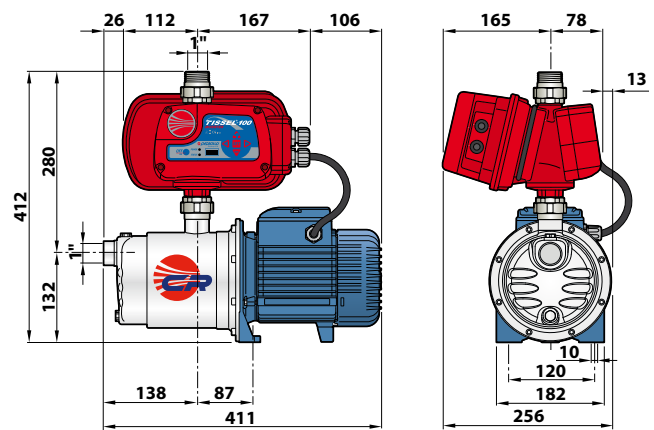
TS1-4CP 100

21.7 kg



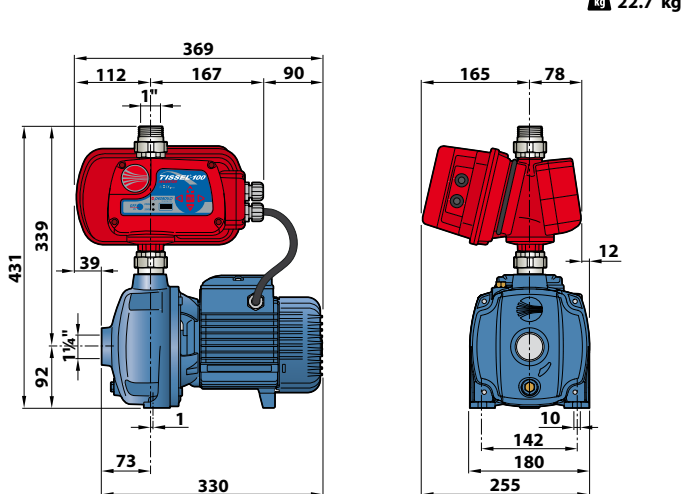
TS1-4CR 100X - TS1-5CR 100

18.5 kg

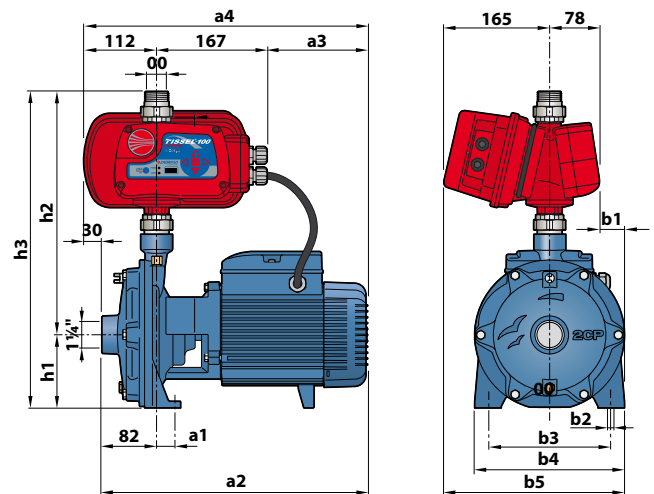


TS1-2CP 25/130

22.7 kg



TS1-2CP 25/14 - TS1-2CP 25/16



MODEL	a1	a2	a3	a4	b1	b2	b3	b4	b5	h1	h2	h3	kg
TS1-2CP 25/14B	17	404	155	434	22	10	162	200	265	93	360	453	28.6
TS1-2CP 25/14A	26	404	155	434	34	11	185	225	278	110	381	491	32.6
TS1-2CP 25/16C	17	404	155	434	22	10	162	200	265	93	360	453	28.4
TS1-2CP 25/16B	26	404	155	434	34	11	185	225	278	110	381	491	32.4
TS1-2CP 25/16A	26	424	175	454	34	11	185	225	278	110	381	491	35.2