

## Submersible pumps

 Sewage water

 Domestic use



### PERFORMANCE RANGE

- Flow rate up to **240 l/min** (14.4 m<sup>3</sup>/h)
- Head up to **10 m**

### APPLICATION LIMITS

- **5 m** maximum immersion depth (with a sufficiently long power cable)
- Maximum liquid temperature **+40 °C** (Maximum liquid temperature +90 °C for a maximum of 3 minutes intermittent service)
- Passage of suspended solids up to **Ø 30 mm**
- Suction down to **35 mm** above ground level
- Continuous service **S1**

### CONSTRUCTION AND SAFETY STANDARDS

The pumps are complete with:

- **5 m** long power cable
- Liquid level vertical sliding magnetic float switch (adjustable)

**EN 60335-1**  
**IEC 60335-1**  
**CEI 61-150**

**EN 60034-1**  
**IEC 60034-1**  
**CEI 2-3**



### CERTIFICATIONS

Company with management system certified DNV  
ISO 9001: QUALITY

### INSTALLATION AND USE

The **TEX** pump is suitable for use with dirty water that is not chemically aggressive towards the materials from which the pump is made.

Because of the design solutions that have been adopted, such as the complete cooling of the motor and the shaft with double seal, these pumps are easy to use and reliable.

They are suitable for use in applications such as clearing dirty water, emptying tanks, discharging domestic waste water, and for emptying collection traps containing suspended solids up to a maximum of Ø 30 mm.

### PATENTS - TRADE MARKS - MODELS

- Registered EU Design n. 005205556
- **TEX®** Registered Trade Mark n. 017884160

### OPTIONS AVAILABLE ON REQUEST

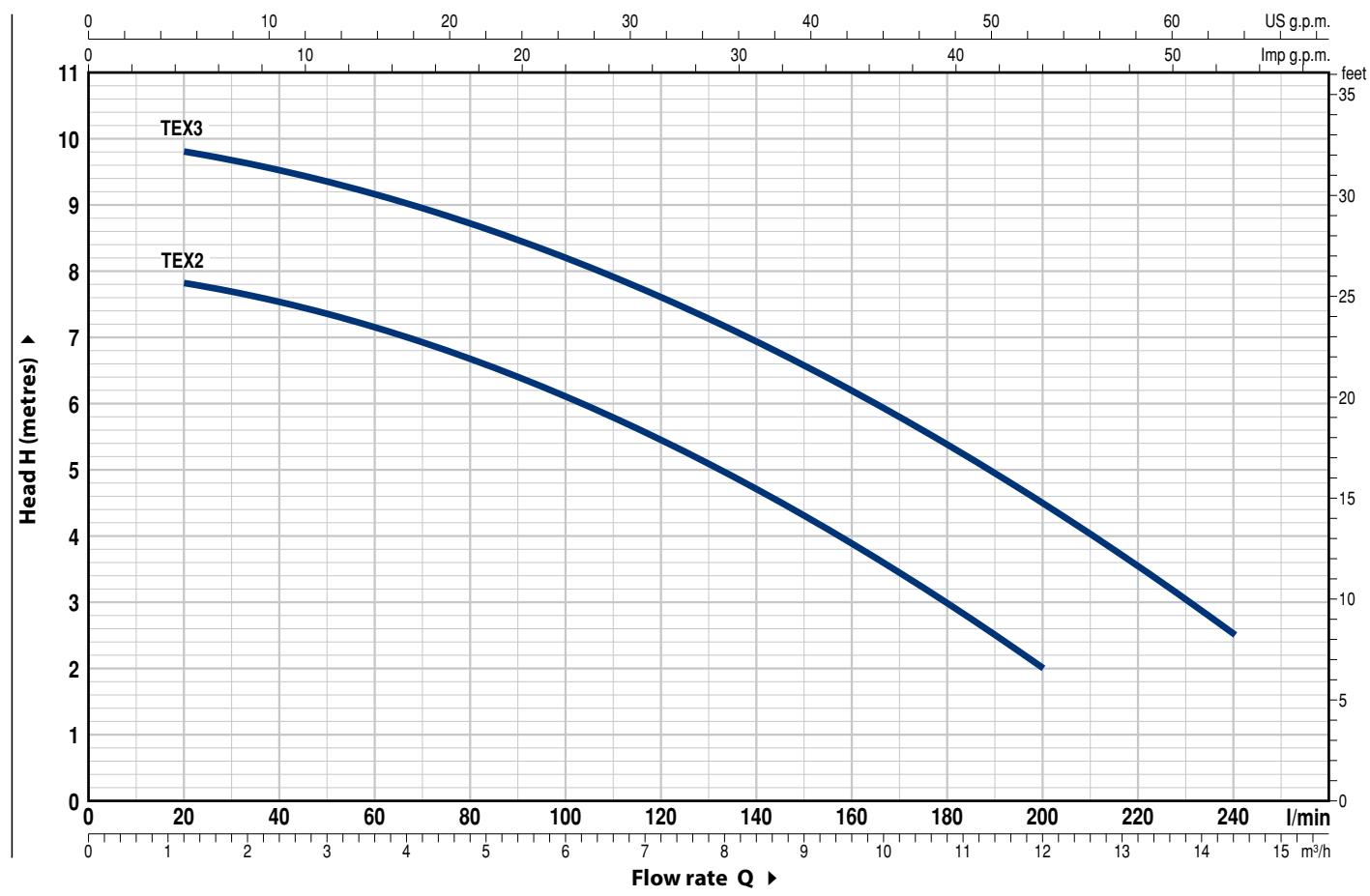
- Special mechanical seal
- Pumps with a **10 m** long power cable.
  - ➔ N.B.: Standard EN 60335-2-41 states that the power cable must be 10 m long for outdoor applications
- Pumps without float switch
- Other voltages

### GUARANTEE

2 years subject to terms and conditions

## CHARACTERISTIC CURVES AND PERFORMANCE DATA

60 Hz n= 3450 min<sup>-1</sup>



MODEL Single-phase	POWER (P <sub>2</sub> )		Q	Flow rate															
	kW	HP		m <sup>3</sup> /h	0	1.2	2.4	3.6	4.8	6	7.2	8.4	9.6	10.8	12	13.2	14.4		
TEX 2	0.37	0.50	l/min	0	20	40	60	80	100	120	140	160	180	200	220	240			
TEX 3	0.55	0.75	H metres	8	7.8	7.5	7.1	6.7	6.1	5.4	4.7	3.9	3	2					
				10	9.8	9.5	9.2	8.7	8.2	7.6	6.9	6.2	5.4	4.5	3.5	2.5			

Q = Flow rate H = Total manometric head

Tolerance of characteristic curves in compliance with EN ISO 9906 Grade 3B.

### RETRACTABLE HANDLE



### SELECTOR FOR AUTOMATIC OR MANUAL OPERATION



**POS. COMPONENT CONSTRUCTION CHARACTERISTICS**

<b>1 HANDLE</b>	Glass fibre reinforced technopolymer
<b>2 PUMP BODY</b>	Glass fibre reinforced technopolymer complete with threaded delivery port in compliance with ISO 228/1
<b>3 SUCTION FILTER</b>	Technopolymer
<b>4 SUCTION PLATE</b>	Technopolymer
<b>5 IMPELLER</b>	Glass fibre reinforced technopolymer VORTEX type impeller
<b>6 MOTOR CASING</b>	Stainless steel AISI 304
<b>7 MOTOR CASING PLATE</b>	Stainless steel AISI 304
<b>8 MOTOR SHAFT</b>	Stainless steel AISI 431

**9 SHAFT WITH DOUBLE SEAL AND OIL CHAMBER**

<i>Seal</i>	<i>Shaft</i>	<i>Materials</i>		
		<i>Stationary ring</i>	<i>Rotational ring</i>	<i>Elastomer</i>
<b>Model</b>	<b>Diameter</b>			
<b>STA-12R</b>	<b>Ø 12 mm</b>	Ceramic	Graphite	NBR

**10 LIP SEAL**      **Ø 12 x Ø 19 x H 5 mm**

**11 BEARINGS**      **6201 ZZ / 6201 ZZ**

**12 CAPACITOR**

<i>Pump</i>	<i>Capacitance</i>
<i>Single-phase</i>	<i>(220 V)</i>
<b>TEX 2</b>	<b>12.5 µF 450 VL</b>
<b>TEX 3</b>	<b>14 µF 450 VL</b>

**13 ELECTRIC MOTOR**

**TEX:** single-phase 220 V - 60 Hz with thermal overload protector incorporated into the winding.

- Insulation: class F
- Protection: IP X8

**14 POWER CABLE**

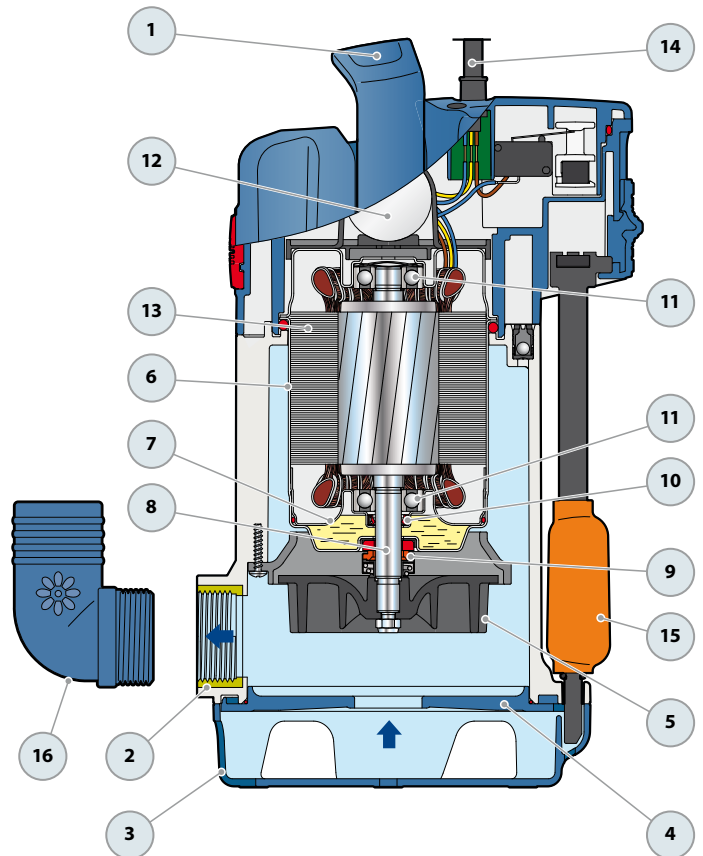
"H07 RN-F" type with Schuko plug  
**Standard length 5 metres**

**15 LEVEL FLOAT SWITCH**

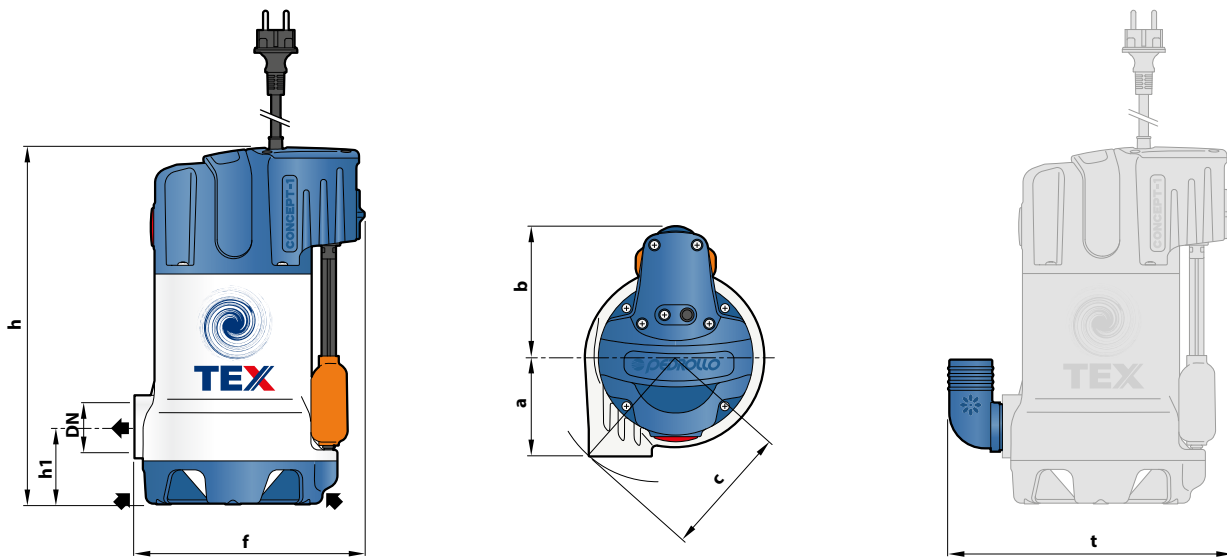
Liquid level vertical sliding magnetic float switch (adjustable)

**16 HOSE CONNECTION**

**Ø 40 mm**



## DIMENSIONS AND WEIGHT



MODEL	PORT DN	Passage of solids	DIMENSIONS mm											kg		
			a	b	c	f	h1	h	d	e	g	t	p		∅	
Single-phase																1~
TEX 2	1 1/4"	∅ 30 mm	88	117	118	205	69.5	318	35	220	110 o 130	251	350	220	6.5	
TEX 3															6.8	

## ABSORPTION

MODEL	VOLTAGE		
	220 V	110 V	127 V
Single-phase			
TEX 2	2.6 A	5.0 A	4.5 A
TEX 3	3.7 A	7.5 A	6.8 A

## PALLETIZATION

MODEL	GROUPAGE
Single-phase	
TEX 2	60
TEX 3	60

### Typical installation

