



INSTALLATION AND USE

STEADYPRES is an inverter-based electronic control device compatible with both surface and submersible pumps, SINGLE-PHASE or THREE-PHASE, up to **1.5 HP (1.1 kW)**. Designed for domestic water supply and irrigation, it seamlessly integrates with any pressurization system, including existing setups, to enhance comfort, extend system lifespan, and achieve significant energy savings.

PRODUCT DESCRIPTION

STEADYPRES is connected to the pump's delivery system and adjusts the motor's rotation speed by modulating the output voltage's value and frequency. This adaptation is based on the required water flow, ensuring constant pressure within the system.

STEADYPRES components:

- electronic frequency converter (inverter);
- integrated pressure and flow sensors;
- user interface with keypad and LED indicators for intuitive parameter reading;
- integrated and inspectable non-return valve;
- rear threaded connection to equip the system with a small expansion tank.

STEADYPRES protects the pump from:

- ✘ Dry running
- ✘ Overcurrent
- ✘ Undervoltage
- ✘ Overheating
- ✘ Short circuit or current leakage

VERSATILE PRODUCT

STEADYPRES can be paired with both single-phase and three-phase pumps, featuring internal switches for configuration settings of

- ✘ **the output frequency at 50 Hz or 60 Hz**
- ✘ **the output supply voltage**
(single-phase or three-phase 230V)



N	Position	Selector switch position	Value
1	Operating FREQUENCY	ON	60 Hz
		OFF	50 Hz
2	SINGLE-PHASE or THREE-PHASE output	ON	MT (three-phase)
		OFF	MM (single-phase)

KEY FEATURES

- ✘ Quick and intuitive pressure adjustment via +/- buttons (**1-9 bar**)
- ✘ Energy-saving with reduced pump absorption
- ✘ Reduced noise operation
- ✘ Minimal pressure drops
- ✘ Extended pump lifespan

OPTIONAL

- ✘ **Expansion board** enables parallel connection of up to two devices, forming pumping groups.

TECHNICAL DATA

	M/M USE (Single-phase / Single-phase)	M/T USE (Single-phase / Three-phase)
Power supply voltage	1 ~ 230 V	1 ~ 230 V
Pump motor voltage	1 ~ 230 V	3 ~ 230 V
Permissible voltage variation	± 10%	± 10%
Supply frequency	50/60 Hz	50/60 Hz
Maximum electric pump motor current	8.5 A	7.0 A
Maximum electric pump motor power	1.5 HP	1.5 HP
Setting pressure	1÷9 bar	1÷9 bar
Maximum liquid temperature	+40 °C	+40 °C
Room temperature	0 °C ÷ 40 °C	0 °C ÷ 40 °C
Maximum pressure	10 bar	10 bar
Protection rating	IP 65	IP 65

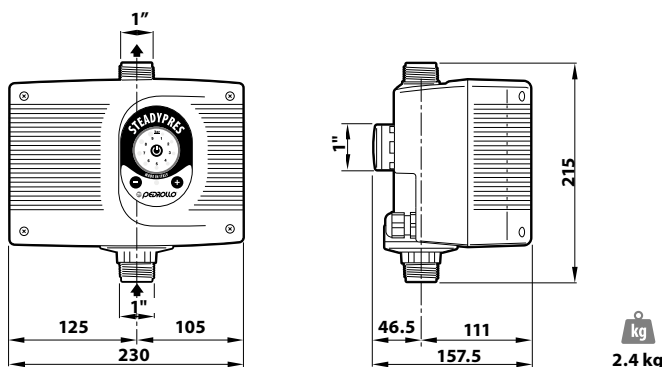
USER INTERFACE



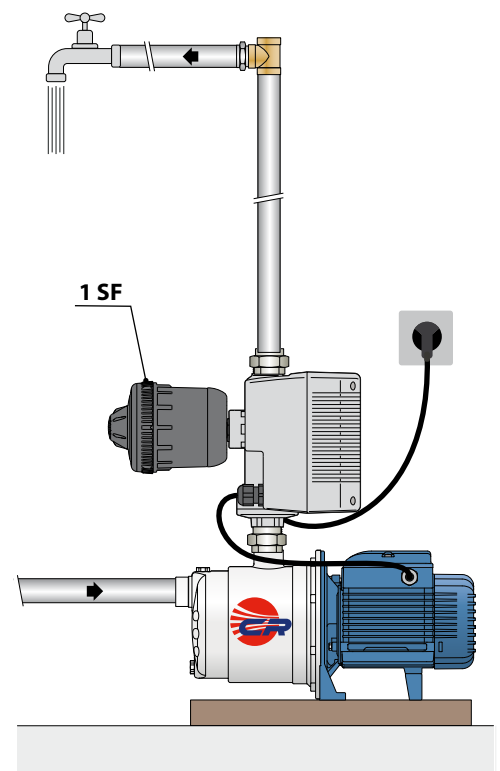
KEY

- 1) ON/OFF button
- 2) Operation and alarm LED indicators
- 3) Increase pressure button
- 4) Decrease pressure button
- 5) Operating status LED

DIMENSIONS AND WEIGHT (mm)



TYPICAL INSTALLATION



N.B.: It's advisable to install a membrane EXPANSION TANK (1SF) downstream of the inverter to:

- ※ decrease pump start frequency
- ※ absorb excess pressure from the system, like water hammer