

 Domestic use

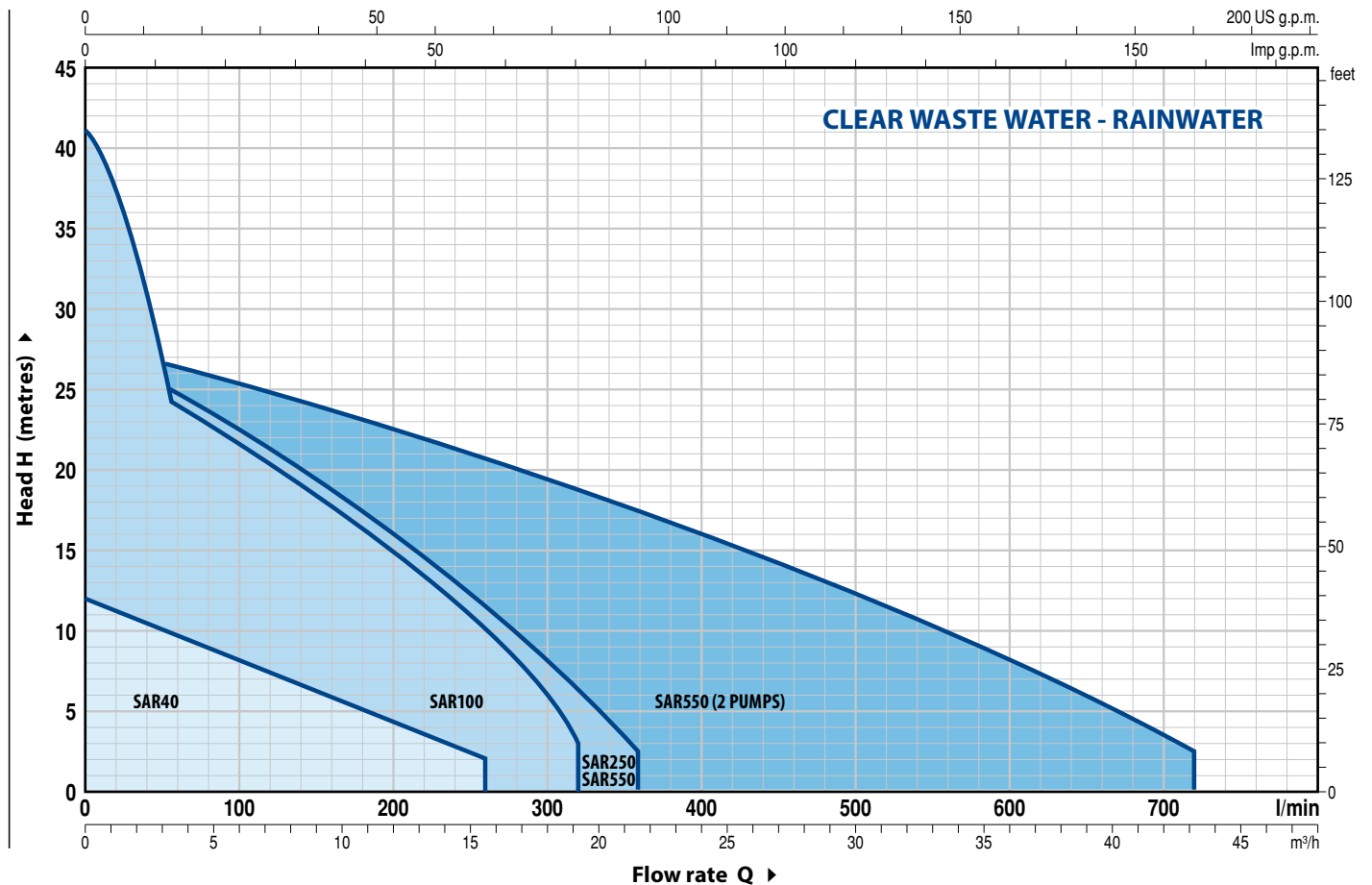
 Agricultural use

 Civil use



### PERFORMANCE RANGE

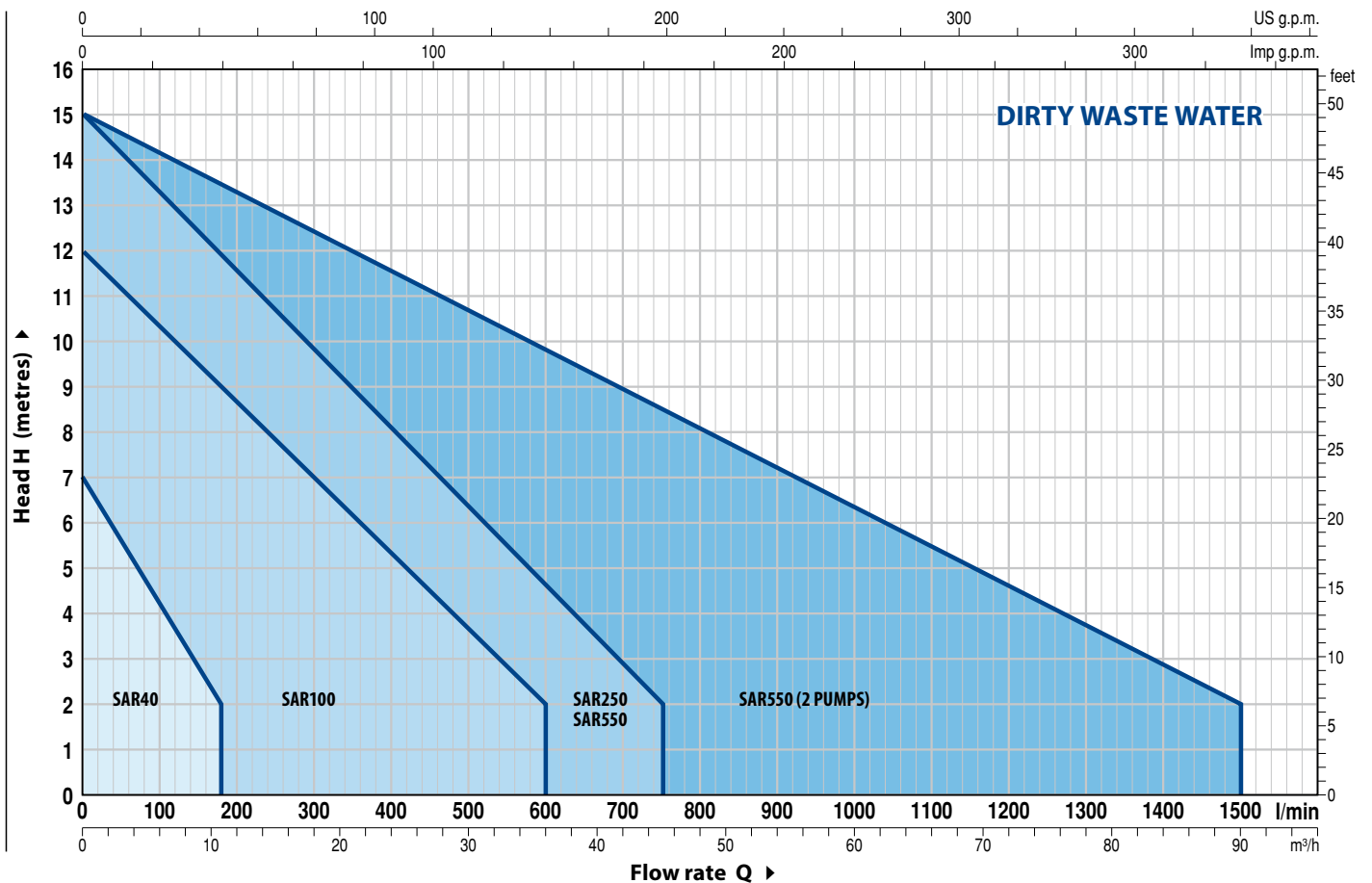
60 Hz n = 3450 rpm





**PERFORMANCE RANGE**

**60 Hz n = 3450 rpm**



## CLEAR WASTE WATER - RAINWATER

| MODEL          | POWER (P <sub>2</sub> ) |      | TANK CAPACITY<br>litres | MAXIMUM FLOW RATE<br>litres/min | MAXIMUM HEAD<br>metres |
|----------------|-------------------------|------|-------------------------|---------------------------------|------------------------|
|                | kW                      | HP   |                         |                                 |                        |
| SAR 40 - TOP 1 | 0.25                    | 0.33 | 40                      | 160                             | 6                      |
| SAR 40 - TOP 2 | 0.37                    | 0.50 | 40                      | 220                             | 8                      |
| SAR 40 - TOP 3 | 0.55                    | 0.75 | 40                      | 260                             | 10                     |
| SAR 40 - RXm 1 | 0.25                    | 0.33 | 40                      | 160                             | 6.5                    |
| SAR 40 - RXm 2 | 0.37                    | 0.50 | 40                      | 220                             | 9.5                    |
| SAR 40 - RXm 3 | 0.55                    | 0.75 | 40                      | 220                             | 11.5                   |



## DIRTY WASTE WATER

| MODEL                 | POWER (P <sub>2</sub> ) |      | TANK CAPACITY<br>litres | MAXIMUM FLOW RATE<br>litres/min | MAXIMUM HEAD<br>metres |
|-----------------------|-------------------------|------|-------------------------|---------------------------------|------------------------|
|                       | kW                      | HP   |                         |                                 |                        |
| SAR 40 - TOP 2-VORTEX | 0.37                    | 0.50 | 40                      | 180                             | 6.5                    |
| SAR 40 - RXm2/20      | 0.37                    | 0.50 | 40                      | 180                             | 6.5                    |

### COMPONENTS

- **40 litres** polyethylene tank with cover plate
- Pump complete with float switch
- Power cable: **supplied with standard 5 metres cable** with Schuko plug (EN 60335-2-41 standard states that the power cable must be 10 metres long for outside use)
- Non-return valve
- Accumulation stations with **inlet tube 1½"** gas, **outlet 1¼"** gas and **vent ½"** gas

## CLEAR WASTE WATER - RAINWATER



| MODEL                 | POWER (P <sub>2</sub> ) |      | TANK CAPACITY<br>litres | MAXIMUM FLOW RATE<br>litres/min | MAXIMUM HEAD<br>metres |
|-----------------------|-------------------------|------|-------------------------|---------------------------------|------------------------|
|                       | kW                      | HP   |                         |                                 |                        |
| SAR 100 - TOP 2       | 0.37                    | 0.50 | 100                     | 220                             | 8                      |
| SAR 100 - TOP 3       | 0.55                    | 0.75 | 100                     | 260                             | 10                     |
| SAR 100 - TOP 4 N     | 0.75                    | 1    | 100                     | 320                             | 12.5                   |
| SAR 100 - TOP MULTI 2 | 0.55                    | 0.75 | 100                     | 80                              | 40                     |
| SAR 100 - TOP MULTI 3 | 0.55                    | 0.75 | 100                     | 120                             | 32                     |
| SAR 100 - RXm 2       | 0.37                    | 0.50 | 100                     | 220                             | 9.5                    |
| SAR 100 - RXm 3       | 0.55                    | 0.75 | 100                     | 220                             | 11.5                   |
| SAR 100 - Dm 10-N     | 0.75                    | 1    | 100                     | 300                             | 15.5                   |
| SAR 100 - Dm 20-N     | 0.75                    | 1    | 100                     | 250                             | 19                     |
| SAR 100 - Dm 30-N     | 1.1                     | 1.5  | 100                     | 275                             | 26                     |

## DIRTY WASTE WATER

| MODEL                  | POWER (P <sub>2</sub> ) |      | TANK CAPACITY<br>litres | MAXIMUM FLOW RATE<br>litres/min | MAXIMUM HEAD<br>metres |
|------------------------|-------------------------|------|-------------------------|---------------------------------|------------------------|
|                        | kW                      | HP   |                         |                                 |                        |
| SAR 100 - TOP 2-VORTEX | 0.37                    | 0.50 | 100                     | 180                             | 6.5                    |
| SAR 100 - TOP 3-VORTEX | 0.55                    | 0.75 | 100                     | 180                             | 8                      |
| SAR 100 - RXm 2/20     | 0.37                    | 0.50 | 100                     | 180                             | 6.5                    |
| SAR 100 - RXm 3/20     | 0.55                    | 0.75 | 100                     | 180                             | 8                      |
| SAR 100 - ZXm 1A/40    | 0.60                    | 0.85 | 100                     | 400                             | 10.5                   |
| SAR 100 - VXm 8/35-N   | 0.55                    | 0.75 | 100                     | 350                             | 8                      |
| SAR 100 - VXm 10/35-N  | 0.75                    | 1    | 100                     | 400                             | 10                     |
| SAR 100 - VXm 8/50-N   | 0.55                    | 0.75 | 100                     | 450                             | 6                      |
| SAR 100 - VXm 10/50-N  | 0.75                    | 1    | 100                     | 550                             | 8.5                    |
| SAR 100 - BCm 10/50-N  | 0.75                    | 1    | 100                     | 600                             | 11                     |

### COMPONENTS

- 100 litres polyethylene tank with cover plate
- Pump complete with float switch
- Power cable: **supplied with standard 10 metres cable** with Schuko plug
- Accumulation stations with **inlet tube** Ø 110 mm, **outlet** 1¼" or 1½" or 2" gas and **vent** Ø 50 mm

## CLEAR WASTE WATER - RAINWATER

| MODEL             | POWER (P <sub>2</sub> ) |      | TANK CAPACITY<br>litres | MAXIMUM FLOW RATE<br>litres/min | MAXIMUM HEAD<br>metres |
|-------------------|-------------------------|------|-------------------------|---------------------------------|------------------------|
|                   | kW                      | HP   |                         |                                 |                        |
| SAR 250 - TOP 3   | 0.55                    | 0.75 | 250                     | 260                             | 10                     |
| SAR 250 - TOP 4 N | 0.75                    | 1    | 250                     | 320                             | 12.5                   |
| SAR 250 - TOP 5 N | 0.92                    | 1.25 | 250                     | 360                             | 15                     |
| SAR 250 - RXm 3   | 0.55                    | 0.75 | 250                     | 220                             | 11.5                   |
| SAR 250 - RXm 4   | 0.75                    | 1    | 250                     | 260                             | 15                     |
| SAR 250 - RXm 5   | 1.1                     | 1.5  | 250                     | 300                             | 19.5                   |
| SAR 250 - Dm 10-N | 0.75                    | 1    | 250                     | 300                             | 15.5                   |
| SAR 250 - Dm 20-N | 0.75                    | 1    | 250                     | 250                             | 19                     |
| SAR 250 - Dm 30-N | 1.1                     | 1.5  | 250                     | 275                             | 26                     |



## DIRTY WASTE WATER

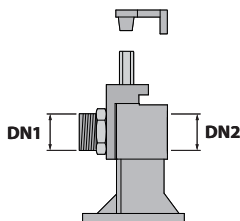
| MODEL                  | POWER (P <sub>2</sub> ) |      | TANK CAPACITY<br>litres | MAXIMUM FLOW RATE<br>litres/min | MAXIMUM HEAD<br>metres |
|------------------------|-------------------------|------|-------------------------|---------------------------------|------------------------|
|                        | kW                      | HP   |                         |                                 |                        |
| SAR 250 - TOP 2-VORTEX | 0.37                    | 0.50 | 250                     | 180                             | 6.5                    |
| SAR 250 - TOP 3-VORTEX | 0.55                    | 0.75 | 250                     | 180                             | 8                      |
| SAR 250 - RXm 3/20     | 0.55                    | 0.75 | 250                     | 180                             | 8                      |
| SAR 250 - RXm 4/40     | 0.75                    | 1    | 250                     | 280                             | 9.5                    |
| SAR 250 - RXm 5/40     | 1.1                     | 1.5  | 250                     | 380                             | 12.5                   |
| SAR 250 - VXm10/35-ST  | 0.75                    | 1    | 250                     | 400                             | 11.5                   |
| SAR 250 - VXm10/50-ST  | 0.75                    | 1    | 250                     | 550                             | 9.5                    |
| SAR 250 - BCm10/50-ST  | 0.75                    | 1    | 250                     | 600                             | 11                     |
| SAR 250 - VXm 10/35-N  | 0.75                    | 1    | 250                     | 400                             | 10                     |
| SAR 250 - VXm 15/35-N  | 1.1                     | 1.5  | 250                     | 500                             | 13.5                   |
| SAR 250 - VXm 10/50-N  | 0.75                    | 1    | 250                     | 550                             | 8.5                    |
| SAR 250 - VXm 15/50-N  | 1.1                     | 1.5  | 250                     | 650                             | 11                     |
| SAR 250 - BCm 10/50-N  | 0.75                    | 1    | 250                     | 600                             | 11                     |
| SAR 250 - BCm 15/50-N  | 1.1                     | 1.5  | 250                     | 750                             | 14                     |

## COMPONENTS

- 250 litres polyethylene tank with cover plate
- Pump complete with float switch
- Power cable: **supplied with standard 10 metres cable** with Schuko plug
- Accumulation stations with **inlet tube** Ø 110 mm, **outlet** 1¼" or 1½" or 2" gas and **vent** Ø 50 mm
- Coupling support and guide tubes for lowering of pump (only for VX-ST and BC-ST)

## BASE PEDESTAL ELBOW (DUCT FOOT)

| MODEL                        | PORTS |     |
|------------------------------|-------|-----|
|                              | DN1   | DN2 |
| PA/1 (VX/35-ST)              | 1½"   | 2"  |
| PA/2 (VX/50-ST and BC/50-ST) | 2"    |     |



## OPTIONS AVAILABLE ON REQUEST

### Alarm KIT (Cod. KSKIT-ALLARME)

Kit includes:

- Control box, self-powered siren, float

### 300 mm extension kit (Cod. KSKIT-300MA)

Kit includes:

- Extension kit for the installation of the polyethylene "SAR" tank at greater depths

### 300 mm extension kit for VX-ST and BC-ST versions (Cod. KSKIT-300MM)

Kit includes:

- Extension kit for the installation of the polyethylene "SAR" tank at greater depths
- Longer guide tubes

## CLEAR WASTE WATER - RAINWATER

| MODEL            | POWER (P <sub>2</sub> ) |      | TANK CAPACITY<br>litres | MAXIMUM FLOW RATE<br>(1 pump)<br>litres/min | MAXIMUM HEAD<br>metres |
|------------------|-------------------------|------|-------------------------|---|------------------------|
|                  | kW                      | HP   |                         |   |                        |
| SAR 550 - TOP4 N | 0.75                    | 1    | 550                     | 320   | 12.5                   |
| SAR 550 - TOP5 N | 0.92                    | 1.25 | 550                     | 360   | 15                     |
| SAR 550 - RXm4   | 0.75                    | 1    | 550                     | 260   | 15                     |
| SAR 550 - RXm5   | 1.1                     | 1.5  | 550                     | 300   | 19.5                   |
| SAR 550 - Dm10-N | 0.75                    | 1    | 550                     | 300   | 15.5                   |
| SAR 550 - Dm20-N | 0.75                    | 1    | 550                     | 250   | 19                     |
| SAR 550 - Dm30-N | 1.1                     | 1.5  | 550                     | 275   | 26                     |



## DIRTY WASTE WATER

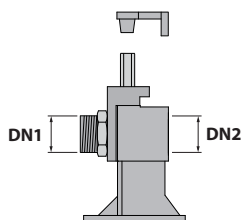
| MODEL                 | POWER (P <sub>2</sub> ) |     | TANK CAPACITY<br>litres | MAXIMUM FLOW RATE<br>(1 pump)<br>litres/min | MAXIMUM HEAD<br>metres |
|-----------------------|-------------------------|-----|-------------------------|---|------------------------|
|                       | kW                      | HP  |                         |   |                        |
| SAR 550 - RXm 4/40    | 0.75                    | 1   | 550                     | 280   | 9.5                    |
| SAR 550 - RXm 5/40    | 1.1                     | 1.5 | 550                     | 380   | 12.5                   |
| SAR 550 - VXm10/35-ST | 0.75                    | 1   | 550                     | 400   | 11.5                   |
| SAR 550 - VXm10/50-ST | 0.75                    | 1   | 550                     | 550   | 9.5                    |
| SAR 550 - BCm10/50-ST | 0.75                    | 1   | 550                     | 600   | 11                     |
| SAR 550 - VXm 10/35-N | 0.75                    | 1   | 550                     | 400   | 10                     |
| SAR 550 - VXm 15/35-N | 1.1                     | 1.5 | 550                     | 500   | 13.5                   |
| SAR 550 - VXm 10/50-N | 0.75                    | 1   | 550                     | 550   | 8.5                    |
| SAR 550 - VXm 15/50-N | 1.1                     | 1.5 | 550                     | 650   | 11                     |
| SAR 550 - BCm 10/50-N | 0.75                    | 1   | 550                     | 600   | 11                     |
| SAR 550 - BCm 15/50-N | 1.1                     | 1.5 | 550                     | 750   | 14                     |

## COMPONENTS

- 550 litre polyethylene tank with two lids
- Two single-phase pumps
- Power cable: **supplied with standard 10 metres cable**
- Control box
- Three floats for: **1)** alternating switch-on of one of the two pumps, **2)** maximum level with switch-on of second pump, **3)** minimum level with switch-off of pumps
- Accumulation stations with two **inlet tubes** Ø 110 mm, **outlet** 1½" or 2" gas and **vent** Ø 50 mm
- Coupling support and guide tubes for lowering of pump (only for VX-ST and BC-ST)

## BASE PEDESTAL ELBOW (DUCT FOOT)

| MODEL                          | PORTS |     |
|--------------------------------|-------|-----|
|                                | DN1   | DN2 |
| PA/1 (VX /35-ST)               | 1½"   | 2"  |
| PA/2 (VX /50-ST and BC /50-ST) | 2"    |     |



## OPTIONS AVAILABLE ON REQUEST

### Alarm KIT (Cod. KSKIT-ALLARME)

Kit includes:

- Control box, self-powered siren, float

### 300 mm extension kit (Cod. KSKIT-300MA)

Kit includes:

- Extension kit for the installation of the polyethylene "SAR" tank at greater depths

**ATTENTION: the tank is fitted with two lids.**

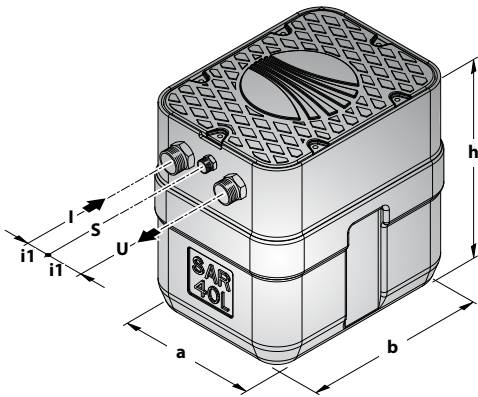
### 300 mm extension kit for VX-ST and BC-ST versions (Cod. KSKIT-300MM)

Kit includes:

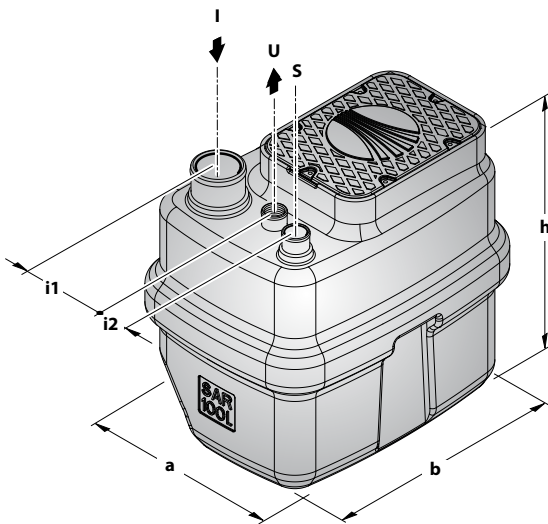
- Extension kit for the installation of the polyethylene "SAR" tank at greater depths
- Longer guide tubes

**ATTENTION: the tank is fitted with two lids.**

## DIMENSIONS AND WEIGHT



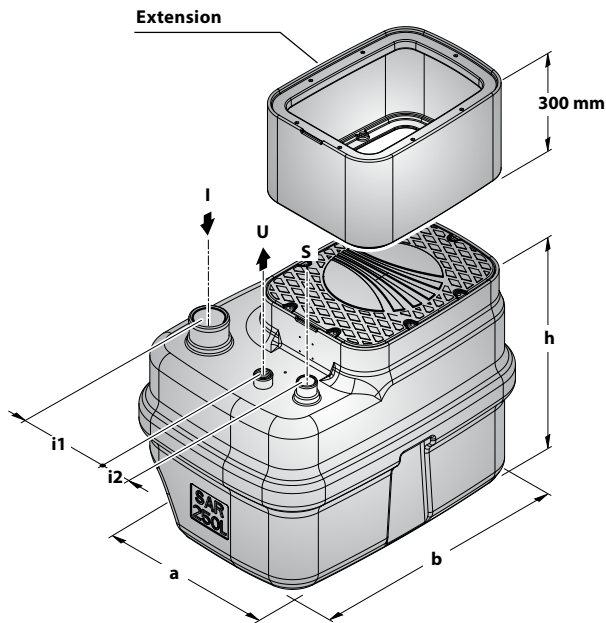
| MODEL                 | PORTS |     |    | DIMENSIONS mm |     |     |    | kg   |
|-----------------------|-------|-----|----|---------------|-----|-----|----|------|
|                       | I     | U   | S  | a             | b   | h   | i1 |      |
| SAR 40 - TOP1         |       |     |    |               |     |     |    | 14.0 |
| SAR 40 - TOP2         |       |     |    |               |     |     |    | 14.7 |
| SAR 40 - TOP3         |       |     |    |               |     |     |    | 16.1 |
| SAR 40 - RXm1         | 1½"   | 1¼" | ½" | 310           | 410 | 410 | 60 | 14.2 |
| SAR 40 - RXm2         |       |     |    |               |     |     |    | 15.3 |
| SAR 40 - RXm3         |       |     |    |               |     |     |    | 16.9 |
| SAR 40 - TOP 2-VORTEX |       |     |    |               |     |     |    | 14.6 |
| SAR 40 - RXm 2/20     |       |     |    |               |     |     |    | 15.6 |



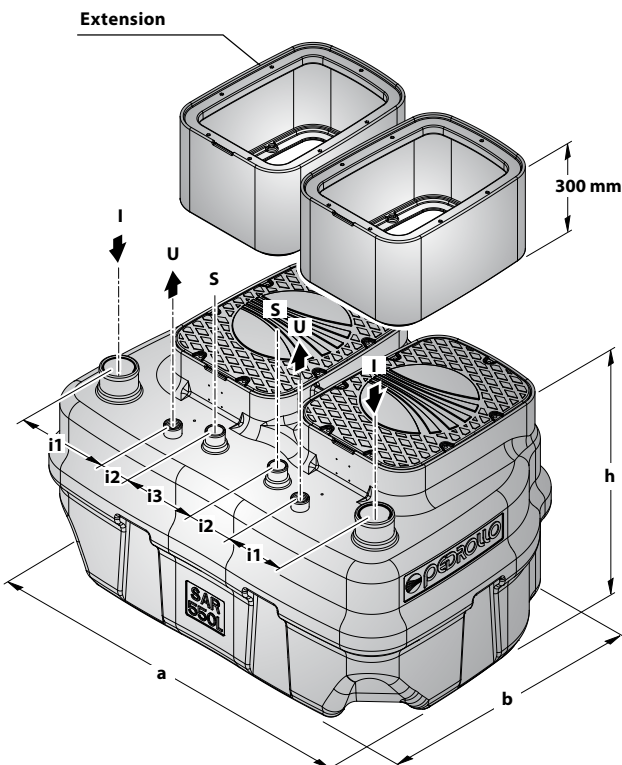
| MODEL                  | PORTS    |     |         | DIMENSIONS mm |     |     |     |     |      | kg |
|------------------------|----------|-----|---------|---------------|-----|-----|-----|-----|------|----|
|                        | I        | U   | S       | a             | b   | h   | i1  | i2  |      |    |
| SAR 100 - TOP2         |          | 1¼" |         |               |     |     |     |     | 28.7 |    |
| SAR 100 - TOP3         |          |     |         |               |     |     |     |     | 30.1 |    |
| SAR 100 - TOP4 N       |          | 1½" |         |               |     |     |     |     | 33.7 |    |
| SAR 100 - TOP MULTI 2  |          |     |         |               |     |     |     |     | 32.9 |    |
| SAR 100 - TOP MULTI 3  |          |     |         |               |     |     |     |     | 32.9 |    |
| SAR 100 - RXm2         |          | 1¼" |         |               |     |     |     |     | 29.3 |    |
| SAR 100 - RXm3         |          |     |         |               |     |     |     |     | 29.6 |    |
| SAR 100 - Dm10-N       |          |     |         |               |     |     |     |     | 36.6 |    |
| SAR 100 - Dm20-N       |          | 1½" |         |               |     |     |     |     | 36.6 |    |
| SAR 100 - Dm30-N       | ∅ 110 mm |     | ∅ 50 mm | 500           | 690 | 645 | 145 | 100 | 38.6 |    |
| SAR 100 - TOP 2-VORTEX |          |     |         |               |     |     |     |     | 28.7 |    |
| SAR 100 - TOP 3-VORTEX |          | 1¼" |         |               |     |     |     |     | 30.1 |    |
| SAR 100 - RXm 2/20     |          |     |         |               |     |     |     |     | 29.6 |    |
| SAR 100 - RXm 3/20     |          |     |         |               |     |     |     |     | 29.8 |    |
| SAR 100 - ZXm 1A/40    |          |     |         |               |     |     |     |     | 35.2 |    |
| SAR 100 - VXm 8/35-N   |          | 1½" |         |               |     |     |     |     | 36.4 |    |
| SAR 100 - VXm 10/35-N  |          |     |         |               |     |     |     |     | 37.2 |    |
| SAR 100 - VXm 8/50-N   |          |     |         |               |     |     |     |     | 36.9 |    |
| SAR 100 - VXm 10/50-N  |          | 2"  |         |               |     |     |     |     | 37.7 |    |
| SAR 100 - BCm 10/50-N  |          |     |         |               |     |     |     |     | 38.4 |    |



## DIMENSIONS AND WEIGHT



| MODEL                  | PORTS  |     |       | DIMENSIONS mm |     |     |     |     | kg   |
|------------------------|--------|-----|-------|---------------|-----|-----|-----|-----|------|
|                        | I      | U   | S     | a             | b   | h   | i1  | i2  |      |
| SAR 250 - TOP3         |        | 1¼" |       |               |     |     |     |     | 42.6 |
| SAR 250 - TOP4 N       |        | 1½" |       |               |     |     |     |     | 46.2 |
| SAR 250 - TOP5 N       |        | 1½" |       |               |     |     |     |     | 47.1 |
| SAR 250 - RXm3         |        | 1¼" |       |               |     |     |     |     | 43.4 |
| SAR 250 - RXm4         |        | 1½" |       |               |     |     |     |     | 48.7 |
| SAR 250 - RXm5         |        | 1½" |       |               |     |     |     |     | 49.7 |
| SAR 250 - Dm10-N       |        | 1½" |       |               |     |     |     |     | 49.1 |
| SAR 250 - Dm20-N       |        | 1½" |       |               |     |     |     |     | 49.1 |
| SAR 250 - Dm30-N       |        | 1½" |       |               |     |     |     |     | 51.1 |
| SAR 250 - TOP 2-VORTEX |        | 1¼" |       |               |     |     |     |     | 41.2 |
| SAR 250 - TOP 3-VORTEX | ∅      | 1¼" | ∅     | 700           | 970 | 715 | 250 | 130 | 42.6 |
| SAR 250 - RXm 3/20     | 110 mm |     | 50 mm |               |     |     |     |     | 43.8 |
| SAR 250 - RXm 4/40     |        | 1½" |       |               |     |     |     |     | 49.0 |
| SAR 250 - RXm 5/40     |        | 1½" |       |               |     |     |     |     | 50.0 |
| SAR 250 - VXm10/35-ST  |        | 2"  |       |               |     |     |     |     | 47.1 |
| SAR 250 - VXm10/50-ST  |        | 2"  |       |               |     |     |     |     | 47.2 |
| SAR 250 - BCm10/50-ST  |        | 1½" |       |               |     |     |     |     | 47.9 |
| SAR 250 - VXm 10/35-N  |        | 1½" |       |               |     |     |     |     | 49.7 |
| SAR 250 - VXm 15/35-N  |        | 1½" |       |               |     |     |     |     | 51.7 |
| SAR 250 - VXm 10/50-N  |        | 2"  |       |               |     |     |     |     | 50.2 |
| SAR 250 - VXm 15/50-N  |        | 2"  |       |               |     |     |     |     | 52.2 |
| SAR 250 - BCm 10/50-N  |        | 2"  |       |               |     |     |     |     | 50.9 |
| SAR 250 - BCm 15/50-N  |        | 2"  |       |               |     |     |     |     | 52.5 |



| MODEL                  | PORTS  |     |       | DIMENSIONS mm |     |     |     |     |     | kg    |
|------------------------|--------|-----|-------|---------------|-----|-----|-----|-----|-----|-------|
|                        | I      | U   | S     | a             | b   | h   | i1  | i2  | i3  |       |
| SAR 550 - TOP4 N       |        |     |       |               |     |     |     |     |     | 93.4  |
| SAR 550 - TOP5 N       |        |     |       |               |     |     |     |     |     | 95.2  |
| SAR 550 - RXm4         |        |     |       |               |     |     |     |     |     | 98.4  |
| SAR 550 - RXm5         |        |     |       |               |     |     |     |     |     | 100.4 |
| SAR 550 - Dm10-N       |        | 1½" |       |               |     |     |     |     |     | 99.2  |
| SAR 550 - Dm20-N       |        | 1½" |       |               |     |     |     |     |     | 99.2  |
| SAR 550 - Dm30-N       |        | 1½" |       |               |     |     |     |     |     | 103.2 |
| SAR 550 - RXm 4/40     |        | 1½" |       |               |     |     |     |     |     | 99.0  |
| SAR 550 - RXm 5/40     | ∅      | 1½" | ∅     | 1350          | 970 | 715 | 250 | 130 | 240 | 101.0 |
| SAR 550 - VXm 10/35-ST | 110 mm |     | 50 mm |               |     |     |     |     |     | 95.2  |
| SAR 550 - VXm 10/50-ST |        | 2"  |       |               |     |     |     |     |     | 95.4  |
| SAR 550 - BCm10/50-ST  |        | 1½" |       |               |     |     |     |     |     | 96.8  |
| SAR 550 - VXm 10/35-N  |        | 1½" |       |               |     |     |     |     |     | 100.4 |
| SAR 550 - VXm 15/35-N  |        | 1½" |       |               |     |     |     |     |     | 104.4 |
| SAR 550 - VXm 10/50-N  |        | 2"  |       |               |     |     |     |     |     | 101.4 |
| SAR 550 - VXm 15/50-N  |        | 2"  |       |               |     |     |     |     |     | 105.4 |
| SAR 550 - BCm 10/50-N  |        | 2"  |       |               |     |     |     |     |     | 102.8 |
| SAR 550 - BCm 15/50-N  |        | 2"  |       |               |     |     |     |     |     | 106.0 |