

※ For pools up to
70 m³



- ※ Robust electric pumps constructed with high-quality components and thick materials for extended durability and quiet operation.
- ※ Pre-filter equipped with a transparent cover for easy visual inspection, featuring an extra-large filter basket to reduce cleaning frequency.

- ※ High resistance to heat, chemicals, and salt corrosion.
- ※ Motor case painted with cathaphoresis for added protection
- ※ Supplied with 1½" GAS threaded ISO 228/1 connection fittings and AISI 304 screws

PERFORMANCE RANGE

- Flow rate up to **310 l/min** (18.6 m³/h)
- Head up to **16 m**

INSTALLATION AND USE

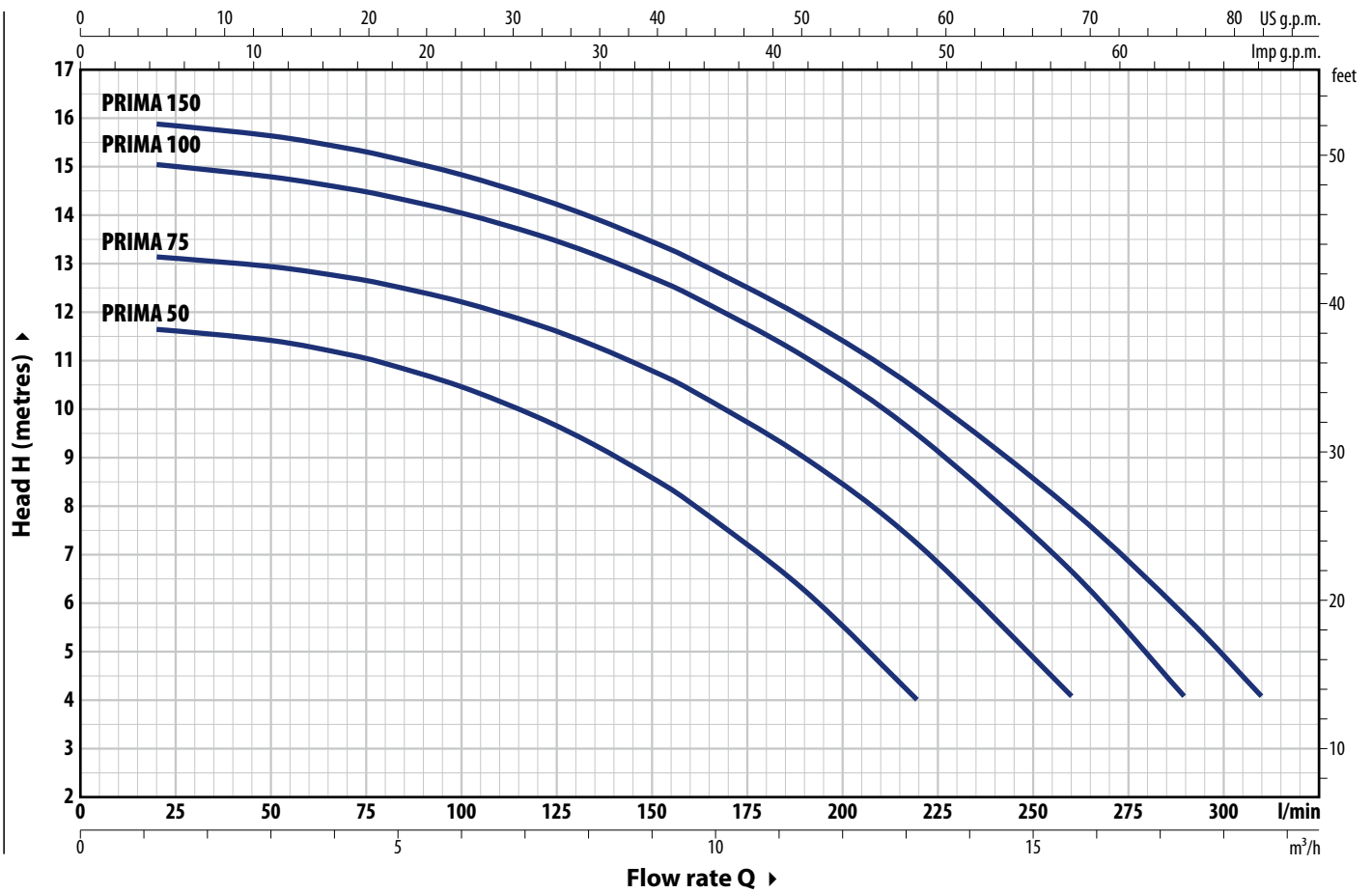
Self-priming pump with a built-in filter, designed for water circulation in residential swimming pools up to **70 m³**.

APPLICATION LIMITS

- Manometric suction head up to **4 m** (HS)
- Liquid temperature up to **+40 °C**
- Ambient temperature up to **+40 °C**
- Maximum working pressure **2.5 bar**
- Swimming pool water (pH 6.5-8.4).

CURVES AND PERFORMANCE DATA – HS=0 m

50 Hz



TYPE		POWER (P ₂)		1~3~	Q	H metres																	
Single-phase	Three-phase	kW	HP			m ³ /h	0	1.2	3	4.2	4.8	6	7.2	9	9.6	11.4	13.2	15.6	17.4	18.6			
					l/min	0	20	50	70	80	100	120	150	160	190	220	260	290	310				
PRIMA 50m	PRIMA 50	0.37	0.50	IE2 IE3	H metres	11.7	11.6	11.4	11.1	10.9	10.4	9.8	8.6	8	6.3	4							
PRIMA 75m	PRIMA 75	0.55	0.75			13.2	13.1	13	12.7	12.6	12.2	11.7	10.8	10.4	9	7	4						
PRIMA 100m	PRIMA 100	0.75	1			15	15	14.8	14.5	14.4	14	13.6	12.7	12.3	11	9.4	6.6	4					
PRIMA 150m	PRIMA 150	1.1	1.5			16	15.8	15.6	15.3	15.2	14.8	14.3	13.4	13	11.8	10.3	8	5.7	4				

Q = Flow rate H = Total manometric head HS = Suction height

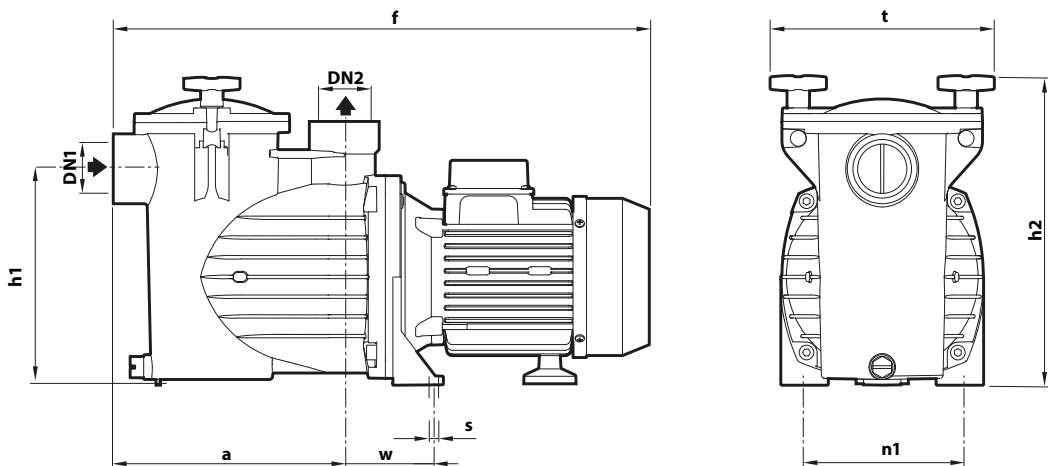
Performance curves comply with EN ISO 9906 Grade 3B tolerance limits.

ABSORPTION

TYPE	VOLTAGE
Single-phase	230 V
PRIMA 50m	3.0 A
PRIMA 75m	3.8 A
PRIMA 100m	4.8 A
PRIMA 150m	5.5 A

TYPE	VOLTAGE	
	230 V - Δ	400 V - 人
PRIMA 50	2.6 A	1.5 A
PRIMA 75	2.8 A	1.6 A
PRIMA 100	2.9 A	1.7 A
PRIMA 150	4.0 A	2.3 A

DIMENSIONS AND WEIGHT



TYPE		PORTS		DIMENSIONS mm								kg	
Single-phase	Three-phase	DN1	DN2	a	f	h1	h2	n1	w	s	t	1~	3~
PRIMA 50m	PRIMA 50	1½"	1½"	205	476	191	275	140	68	9	197	8.8	8.8
PRIMA 75m	PRIMA 75											9.8	9.8
PRIMA 100m	PRIMA 100												
PRIMA 150m	PRIMA 150												

MATERIALS AND COMPONENTS

1 Pump body	Glass-fibre reinforced polypropylene		
2 Seal insert	Glass-fibre reinforced polypropylene		
3 Diffuser	Glass-fibre reinforced polypropylene		
4 Impeller	Noryl™		
5 Mechanical seal	Seal	Shaft	Materials
	AR-17	Ø 17	Graphite / Alumina Oxide / NBR
6 Motor shaft	Stainless steel AISI 316		
7 Electric motor	<p>PRIMA m: single-phase 230 V - 50 Hz with winding integrated thermal motor protection</p> <p>PRIMA: three-phase 230/400 V - 50 Hz</p> <p>※ Pumps are equipped with high-efficiency motors (IEC 60034-30-1) class IE3 for three-phase models</p> <ul style="list-style-type: none"> – Continuous running duty S1 – Insulation: CLASS F – Protection rating: IP 55 		
8 O-Ring (OR)	NBR		
9 Cover	Polycarbonate		
10 Pre-filter	Polypropylene		
11 Closing knob	Nylon		
12 Fittings	PVC		

