

Electronic pressure regulator

 Domestic use



PERFORMANCE RANGE

- Max flow rate: **200 l/min** (12 m³/h)
- Working pressure: **8 bar**
- **Default settings:**
 - starting pressure: **2 bar, adjustable in a range between 1 and 5 bar;**
 - max rated current: **16 A, adjustable in a range between 4 and 16 A.**

APPLICATION LIMITS

- Maximum liquid temperature **+55 °C**
- Ambient temperature up to **+40 °C**
- Burst pressure **24 bar**
- Protection: **IP 65**

INSTALLATION AND USE

PRESFLO MULTI stands out from the traditional pressure-flow regulators thanks to some innovative features:

- **an air filled expansion vessel, equipped in the device;**
- **manual setup of the starting pressure of the pump and the maximum current.**

RESTART PRESSURE AND MAXIMUM LOAD CURRENT

PRESFLO MULTI allows adjustment of the pump restart pressure between **1 and 5 bar** and the maximum current between **4 and 16 A**. The adjustment is made with 2 trimmers located under the (removeable) cover of the (electronic) board. One single model covers a range of installation requirements.

SURGE TANK

PRESFLO MULTI includes an incorporated **2 litre** surge tank. The substantial accumulation volume combined with its ability to absorb excess pressure, a typical surge tank characteristic, make it suitable for use in installations where other pressure flow regulators may prove inadequate. In order to guarantee optimum protection and accumulator performance, it is possible to adjust the tank pressure, the **factory setting is 2 bar**, based on the pump start pressure selected.

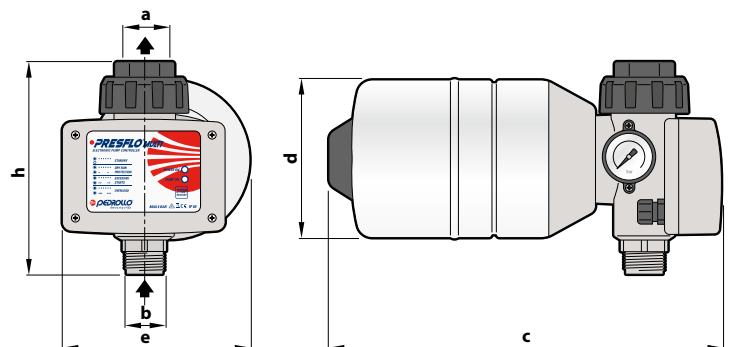
PERFORMANCE DATA

MODEL	POWER (P ₂)		Volt	Hz	Maximum current
	kW	HP			
PRESFLO MULTI	1.5	2	230	50/60	16 A

CONSTRUCTION AND SAFETY STANDARDS

- Resinated and easily replaced electronic card for complete protection from humidity, fitted in the case with an IP 65 protection.
- The electronic card inside **PRESFLO MULTI** has undergone the strictest EMC tests of electromagnetic compatibility.
- **PRESFLO MULTI** complete with pressure gauge.

DIMENSIONS AND WEIGHT



MODEL	PORTS		DIMENSIONS mm				kg
	a	b	c	d	e	h	
PRESFLO MULTI	1"	1"	299	127	149	168	2.0

ACCESSORIES

- **GSR** Special three-piece joint with an o-ring seal (1" M)

