



※ The PKm 60<sup>®</sup> a cornerstone since 1974, an integral part of our future.



- ※ 50 years of success since 1974
- ※ Produced over 23 million units
- ※ Made from premium materials and components
- ※ Our most economical and versatile product
- ※ Noise level reduced by 20 %
- ※ Exclusively produced with renewable energy sources

### PERFORMANCE RANGE

- Flow rate up to **40 l/min** (2.4 m<sup>3</sup>/h)
- Head up to **40 m**

### INSTALLATION AND USE

Designed to transfer clean water free from abrasive particles and liquids that will not damage the pump's components.

Reliable, easy to operate, and cost-effective. It is ideal for domestic applications, specifically for gardens and orchards, in combination with small autoclave tanks.

### ELECTRIC MOTOR

Three-phase pumps feature **IE3**-class electric motors, while single-phase models use **IE2** motors. All are designed with class F insulation and IPX4 protection.

### APPLICATION LIMITS

- Manometric suction head up to **8 m**
- Liquid temperature between **-10 °C** and **+60 °C**
- Ambient temperature up to **+50 °C**
- Maximum working pressure **6 bar**

### PATENTS - TRADE MARKS - MODELS

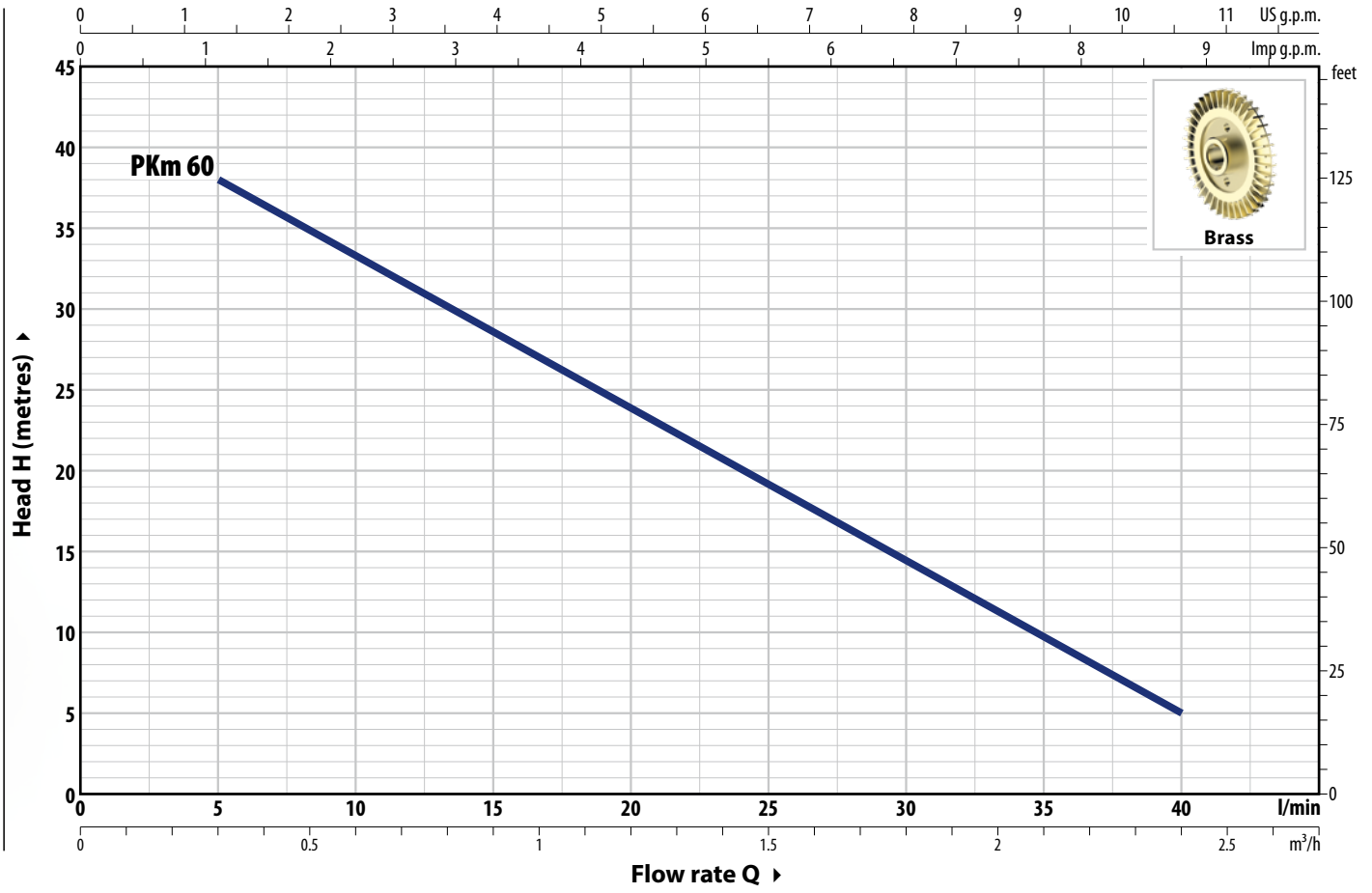
- Motor bracket: Patent No. IT1243605
- Pump body: Patent No. 0000275946
- Registered community model No. 018625876
- International registered model No. DM/220613
- PKm 60<sup>®</sup> Registered Trade mark No. 009875394

### AVAILABLE UPON REQUEST

- ※ Different voltage requirements 60 Hz frequency

**CURVES AND PERFORMANCE DATA – HS=0 m**

**50 Hz**



TYPE		POWER (P <sub>2</sub> )		Q	Flow rate													
Single-ph.	Three-ph.	kW	HP		1~	3~	m <sup>3</sup> /h	0	0.3	0.6	0.9	1.2	1.5	1.8	2.1	2.4		
PKm 60	PK 60	0.30	0.40	IE2	IE3	H metres	40	38	33.5	29	24	19.5	15	10	5			

Q = Flow rate H = Total manometric head HS = Suction height

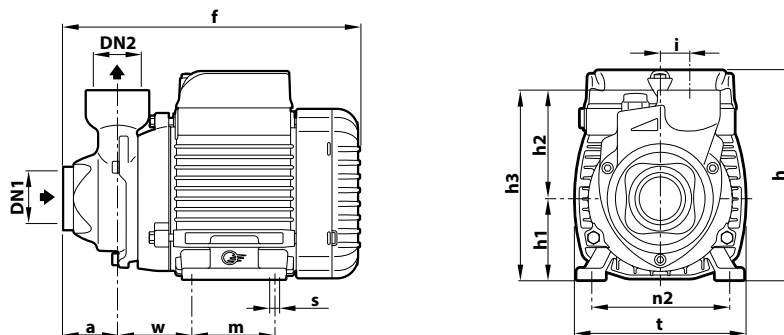
Performance curves comply with EN ISO 9906 Grade 3B tolerance limits.

**ABSORPTION**

TYPE	VOLTAGE
Single-phase	230 V
PKm 60°	2.3 A

TYPE	VOLTAGE	
Three-phase	230 V - Δ	400 V - 人
PK 60°	2.0 A	1.15 A

**DIMENSIONS AND WEIGHT**



TYPE		PORTS		DIMENSIONS mm											kg		
Single-ph.	Three-ph.	DN1	DN2	a	f	h	h1	h2	h3	i	m	t	n2	w	s	1~	3~
PKm 60°	PK 60°	1"	1"	38	208	145	56	75	131	20	55	118	94-100	53	7	5.0	5.0

PALLET CAPACITY

240