

※ For pools up to
1080 m³



- ※ Robust electric pumps constructed with high-quality components and thick materials for extended durability and quiet operation.
- ※ Pre-filter equipped with a transparent cover for easy visual inspection, featuring an extra-large filter basket to reduce cleaning frequency.

- ※ Special anti-corrosion plastic base that provides stable support for the pump and piping.
- ※ High resistance to heat, chemicals, and salt corrosion.
- ※ Motor case with cathodolysis treatment
- ※ AISI 316 screws

PERFORMANCE RANGE

- Flow rate up to **2400 l/min** (180 m³/h)
- Head up to **16 m**

INSTALLATION AND USE

Self-priming pump with a built-in filter, designed for water circulation in residential swimming pools up to **1080 m³** in size.

APPLICATION LIMITS

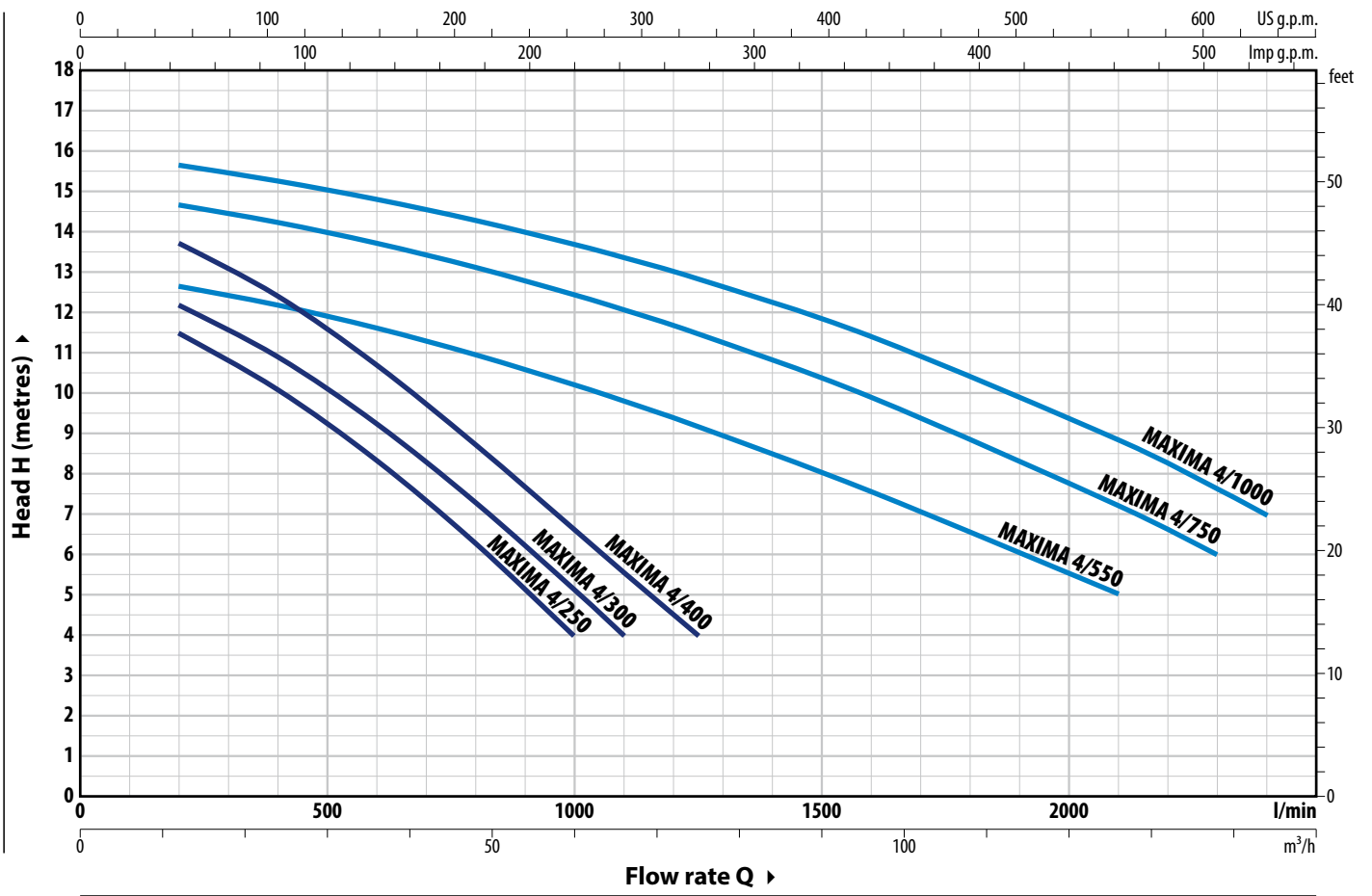
- Manometric suction head up to **4 m** (HS)
- Liquid temperature up to **+40 °C**
- Ambient temperature up to **+40 °C**
- Maximum working pressure **2.5 bar**
- Swimming pool water (pH 6.5 – 8.4).

AVAILABLE UPON REQUEST

- ※ Bronze impeller

CURVES AND PERFORMANCE DATA – HS=0 m

50 Hz - n= 1450 min⁻¹



| TYPE | POWER (P ₂) | | 3~ | Q | H metres | | | | | | | | | | | | | | |
|---------------|-------------------------|-----|-----|-------|-------------------|------|------|------|------|------|------|------|------|------|------|-----|--|--|--|
| | kW | HP | | | m ³ /h | 0 | 12 | 36 | 48 | 60 | 66 | 75 | 96 | 126 | 138 | 144 | | | |
| Three-phase | | | | l/min | 0 | 200 | 600 | 800 | 1000 | 1100 | 1250 | 1600 | 2100 | 2300 | 2400 | | | | |
| MAXIMA 4/250 | 1.8 | 2.5 | IE3 | | 12.5 | 11.5 | 8.4 | 6.3 | 4 | | | | | | | | | | |
| MAXIMA 4/300 | 2.2 | 3 | | | 13 | 12 | 9.2 | 7.3 | 5 | 4 | | | | | | | | | |
| MAXIMA 4/400 | 3 | 4 | | | 14.5 | 13.5 | 10.7 | 8.7 | 6.6 | 5.6 | 4 | | | | | | | | |
| MAXIMA 4/550 | 4 | 5.5 | | | 13 | 12.5 | 11.6 | 11 | 10.2 | 9.8 | 9 | 7.5 | 5 | | | | | | |
| MAXIMA 4/750 | 5.5 | 7.5 | | | 15 | 14.5 | 13.7 | 13 | 12.4 | 12 | 11.5 | 10 | 7.2 | 6 | | | | | |
| MAXIMA 4/1000 | 7.5 | 10 | | | 16 | 15.5 | 14.8 | 14.3 | 13.7 | 13.4 | 12.8 | 11.4 | 8.8 | 7.6 | 7 | | | | |

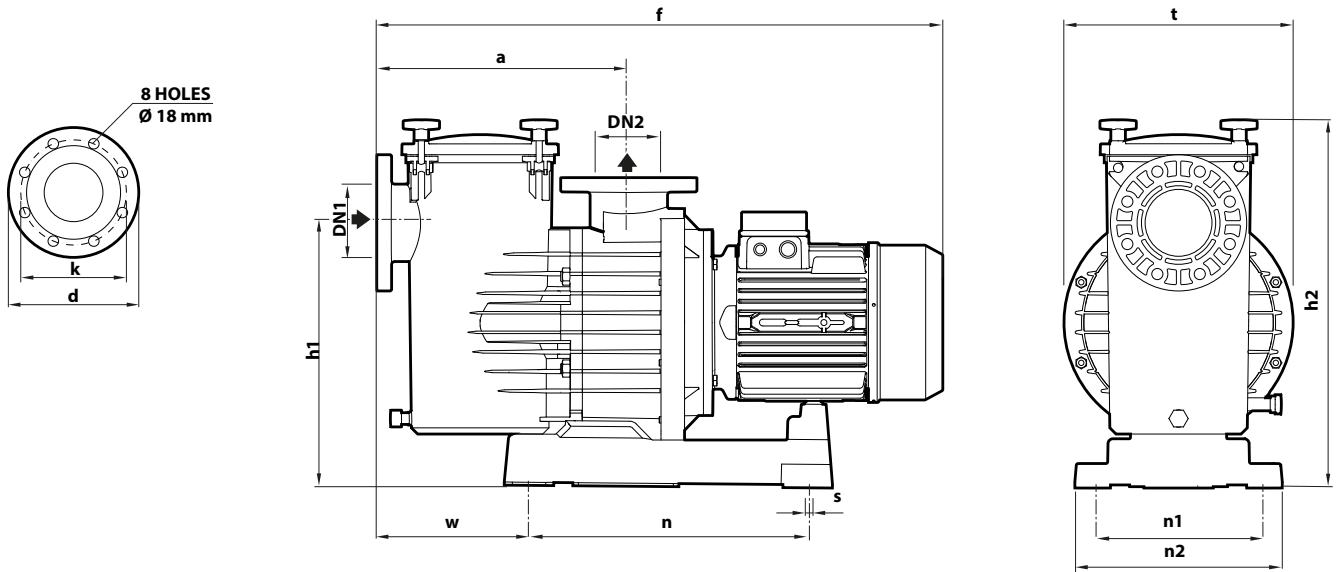
Q = Flow rate H = Total manometric head HS = Suction height

Performance curves comply with EN ISO 9906 Grade 3B tolerance limits.

ABSORPTION

| TYPE | VOLTAGE | | | |
|----------------------|-----------|-----------|-----------|-----------|
| | 230 V - Δ | 400 V - Y | 400 V - Δ | 690 V - Y |
| MAXIMA 4/250 | 8.1 A | 4.7 A | - | - |
| MAXIMA 4/300 | 7.8 A | 4.5 A | - | - |
| MAXIMA 4/400 | 11.2 A | 6.5 A | - | - |
| MAXIMA 4/550 | 15.6 A | 9.0 A | - | - |
| MAXIMA 4/750 | - | - | 12.5 A | 7.2 A |
| MAXIMA 4/1000 | - | - | 14.5 A | 8.4 A |

DIMENSIONS AND WEIGHT



| TYPE | PORTS | | DIMENSIONS mm | | | | | | | | | | | | kg |
|----------------------|------------|------------|---------------|-----|-----|-----|-----|-----|-----|----|-----|-----|-----|-----|------|
| | DN1 | DN2 | a | f | h1 | h2 | n | n1 | n2 | s | t | w | d | k | |
| MAXIMA 4/250 | 110 | 110 | 407 | 838 | 425 | 596 | 450 | 300 | 335 | 11 | 368 | 246 | 218 | 180 | 42.0 |
| MAXIMA 4/300 | | | | | | | | | | | | | | | 42.5 |
| MAXIMA 4/400 | | | | | | | | | | | | | | | 44.5 |
| MAXIMA 4/550 | | | | | | | | | | | | | | | 53.4 |
| MAXIMA 4/750 | | | | | | | | | | | | | | | 66.0 |
| MAXIMA 4/1000 | | | | | | | | | | | | | | | 76.0 |

MATERIALS AND COMPONENTS

| | | | |
|--------------------------|--|-------|--------------------------------|
| 1 Pump body | Glass-fibre reinforced polypropylene | | |
| 2 Seal insert | Glass-fibre reinforced polypropylene | | |
| 3 Diffuser | Glass-fibre reinforced polypropylene | | |
| 4 Impeller | Noryl™ | | |
| 5 Mechanical seal | Seal | Shaft | Materials |
| | AR-30 | Ø 30 | Graphite / Alumina Oxide / NBR |
| 6 Motor shaft | Stainless steel AISI 316 | | |
| 7 Electric motor | MAXIMA: three-phase 230/400 V - 50 Hz up to 4 kW 400/690 V - 50 Hz 5.5 to 7.5 kW – Continuous running duty S1 – Insulation: CLASS F – Protection rating: IP 55 | | |
| 8 O-Ring (OR) | NBR | | |
| 9 Cover | Polycarbonate | | |
| 10 Pre-filter | Polypropylene | | |
| 11 Closing knob | Nylon | | |
| 12 Base | Noryl™ | | |

