

MAGNIFICA

Self-priming pumps for swimming pools

 Residential
Swimming Pools

 Public
Swimming Pools



PERFORMANCE RANGE

- Flow rate up to **700 l/min** (42 m³/h)
- Head up to **28 m**

APPLICATION LIMITS

- Manometric suction lift up to **4 m** (HS)
- Liquid temperature up to **+45 °C**
- Ambient temperature up to **+50 °C**
- Max. working pressure **2.5 bar**
- Continuous service **S1**

CONSTRUCTION AND SAFETY STANDARDS

EN 60335-1
IEC 60335-1
CEI 61-150

EN 60034-1
IEC 60034-1
CEI 2-3



EU REGULATION N. 547/2012

CERTIFICATIONS

Company with management system certified DNV ISO 9001:
QUALITY

INSTALLATION AND USE

Self-priming centrifugal electric pumps with pre-filter suitable for circulating and filtering the water of swimming pools, especially for those requiring large flow rates (skimming).

Recommended for residential swimming pools and public swimming pools up to 180 m³.

Waters for use in swimming pools (pH 6.5 – 8.4).

Installation needs to be undertaken in ventilated areas and protected from bad weather with adequate space for maintenance.

PATENTS - TRADE MARKS - MODELS

- **MAGNIFICA**® Registered Trade Mark n. 018159079
- Registered EU Design n. 007671839

OPTIONS AVAILABLE ON REQUEST

- Other voltages
- Smooth connection 63 mm
- Smooth connection 2" BS
- Threaded connection 2" GAS (ISO 228/1)

✘ Particularly sturdy and corrosion resistant electric pumps, made with high quality and thick components, ensuring a long life and quiet operation.

✘ High flow rate with low energy consumption.

✘ Pre-filter complete with transparent lid to facilitate visual inspection, wing nuts for quick opening without additional tools, extra-large filter basket to reduce the frequency of cleaning operations.

✘ Special anti-corrosion plastic base that provides stable support for the pump and piping.

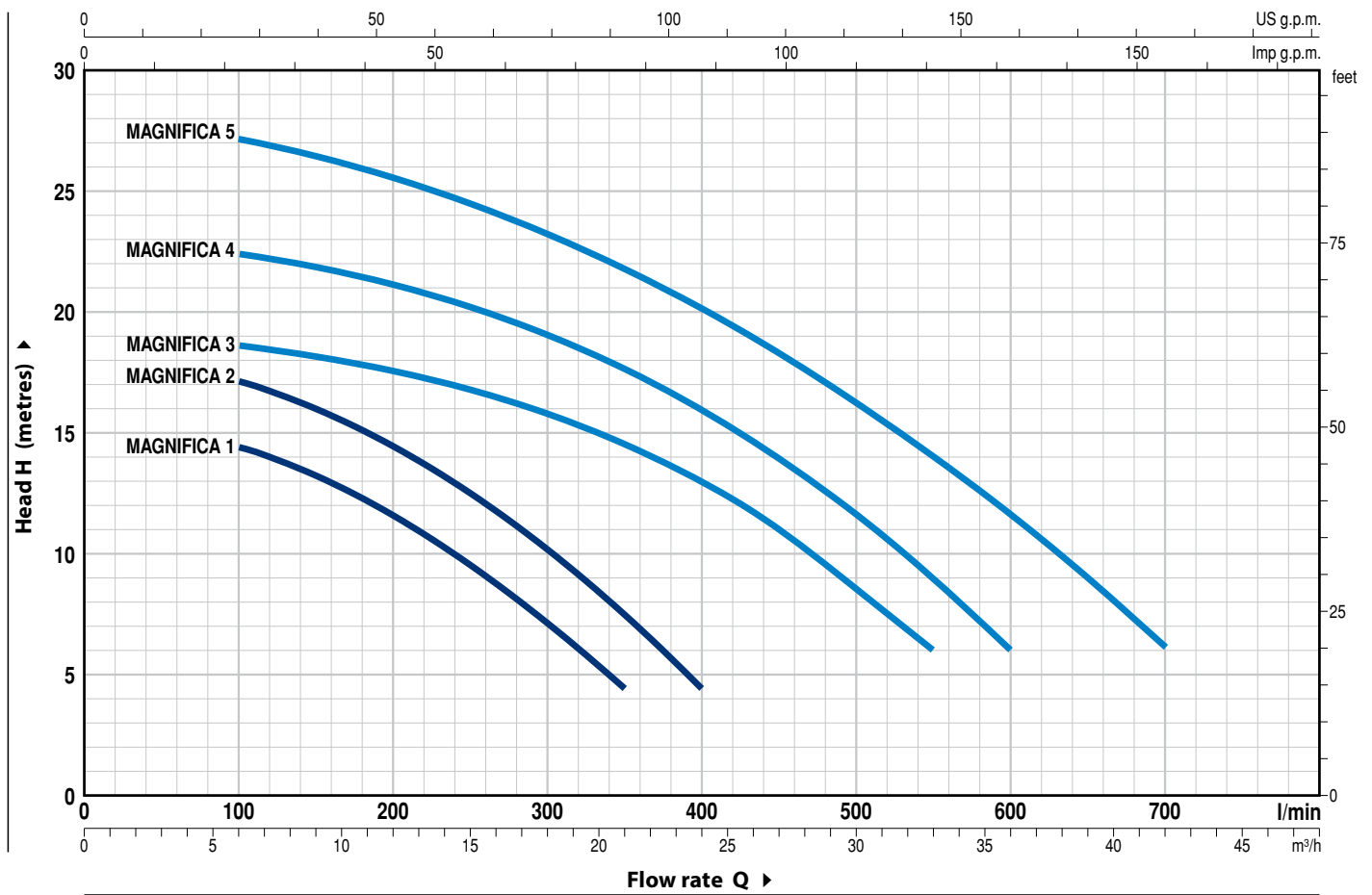
✘ Double insulation between hydraulic parts and the electric motor. The pump/motor shaft is never in contact with water to ensure maximum safety.

✘ High resistance to heat and to chemical and salt corrosion.

✘ Connection fittings with 2" NPT ANSI B 1.20.1 threaded ports. Screws in AISI 316.

CHARACTERISTIC CURVES AND PERFORMANCE DATA

60 Hz n= 3450 min⁻¹ HS= 0 m



MODEL		POWER (P ₂)			Q	Flow rate (l/min)													
Single-phase	Three-phase	kW	HP	▲		0	6	9	12	15	18	21	24	33	36	42			
MAGNIFICA - 1m	MAGNIFICA - 1	0.55	0.75		H metres	0	100	150	200	250	300	350	400	550	600	700			
MAGNIFICA - 2m	MAGNIFICA - 2	0.75	1			15	14.2	13	11.3	9.2	6.8	4							
MAGNIFICA - 3m	MAGNIFICA - 3	1.1	1.5	IE3		18	17	15.8	14.2	12.2	10	7.1	4						
MAGNIFICA - 4m	MAGNIFICA - 4	1.5	2			19.3	18.6	18.1	17.5	16.8	15.8	14.5	13	6					
MAGNIFICA - 5m	MAGNIFICA - 5	2.2	3			23	22.3	21.8	21.1	20.1	19	17.6	15.9	9	6				
					28	27.1	26.4	25.5	24.4	23.2	21.7	20.1	14	11.5	6				

Q = Flow rate H = Total manometric head HS = Suction height

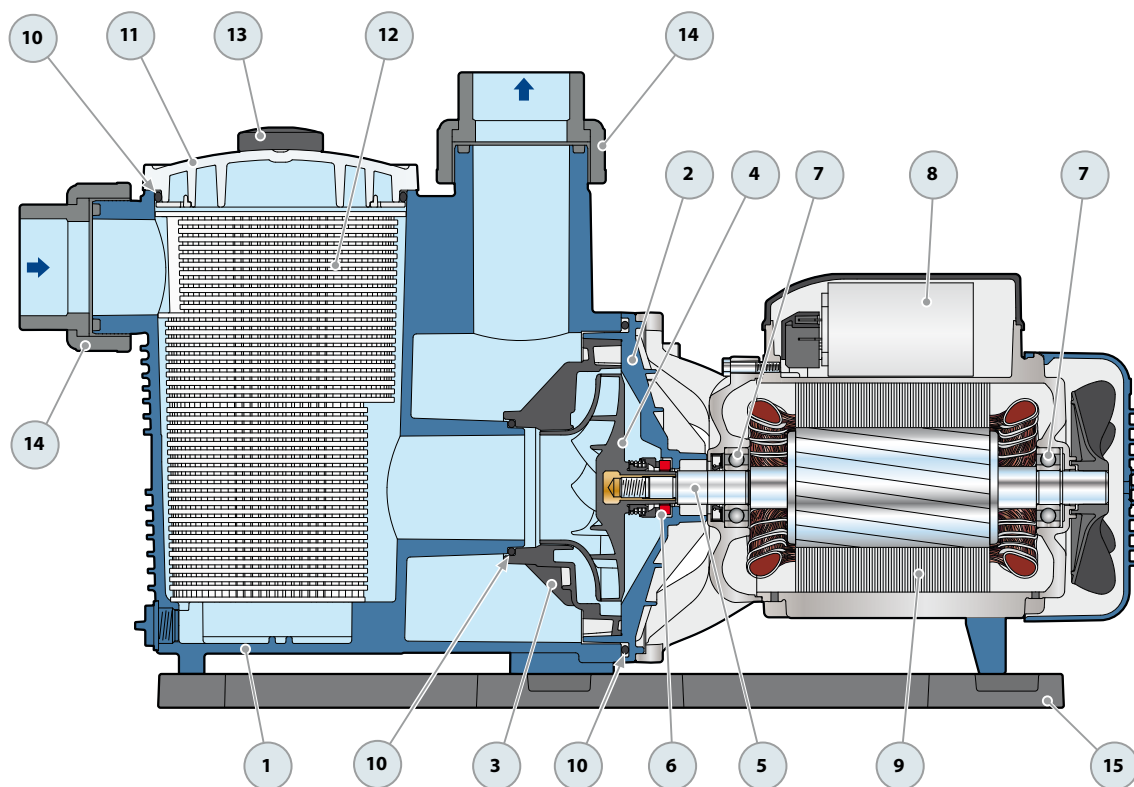
Tolerance of characteristic curves in compliance with EN ISO 9906 Grade 3B.

▲ Three-phase motor efficiency class (IEC 60034-30-1)

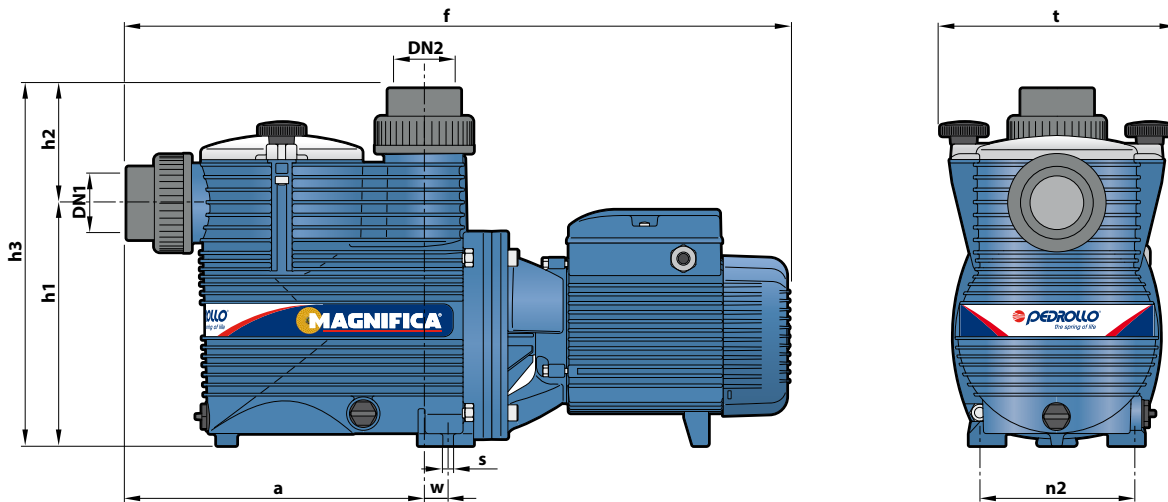
MAGNIFICA

POS. COMPONENT CONSTRUCTION CHARACTERISTICS

1	PUMP BODY	Glass fibre reinforced polypropylene with threaded ports in compliance with ISO 228/1					
2	DOOR SEAL INSERT	Glass fibre reinforced polypropylene					
3	DIFFUSER	Noryl					
4	IMPELLER	Noryl					
5	MOTOR SHAFT	Stainless steel AISI 431					
6	MECHANICAL SEAL	<i>Pump</i>	<i>Seal</i>	<i>Shaft</i>	<i>Materials</i>		
		<i>Model</i>	<i>Model</i>	<i>Diameter</i>	<i>Stationary ring</i>	<i>Rotational ring</i>	<i>Elastomer</i>
		MAGNIFICA 1-2	AR-17	Ø 17	Ceramic	Graphite	NBR
		MAGNIFICA 3-4-5	AR-20R	Ø 20	Ceramic	Graphite	NBR
7	BEARINGS	<i>Pump</i>	<i>Model</i>				
		MAGNIFICA 1-2	6203 2RS / 6203 2RS				
		MAGNIFICA 3-4-5	6204 2RS / 6204 2RS				
8	CAPACITOR						
9	ELECTRIC MOTOR	MAGNIFICA m: single-phase 220 V - 60 Hz with thermal overload protector incorporated into the winding.					
		MAGNIFICA: three-phase 220/380 V - 60 Hz.					
		<p>➔ The three-phase pumps are fitted with high performance motors in class IE3 (IEC 60034-30-1)</p> <ul style="list-style-type: none"> - Insulation: class F - Protection: IP X4 					
10	OR	NBR					
11	BODY BACKPLATE	Polycarbonate					
12	PRE-FILTER	Polypropylene					
13	CLOSURE KNOB	Nylon					
14	CONNECTIONS	PVC-U					
15	BASE	Polypropylene					



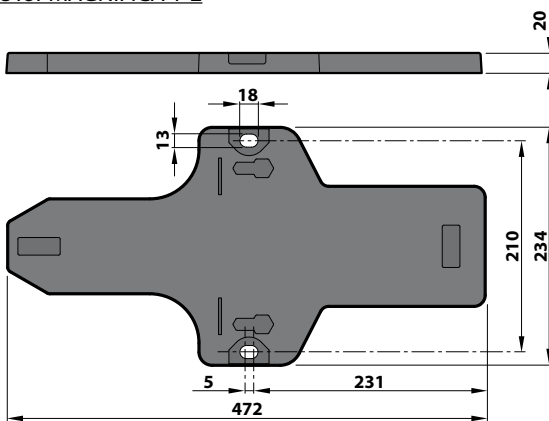
DIMENSIONS AND WEIGHT



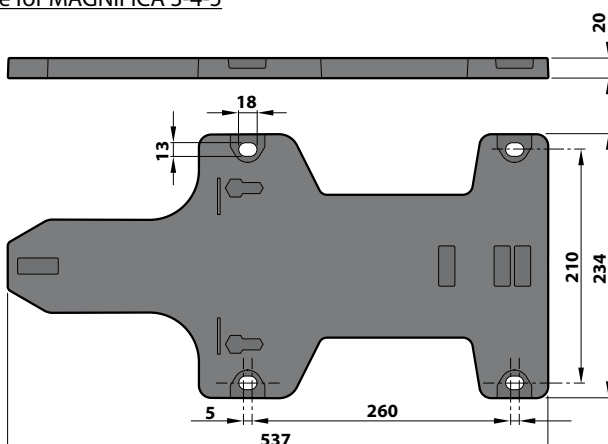
MODEL		PORTS		DIMENSIONS mm									kg	
Single-phase	Three-phase	DN1	DN2	a	f	h1	h2	h3	n2	w	s	t	1~	3~
MAGNIFICA - 1m	MAGNIFICA - 1	2"	2"	294	583	240	113	353	155	4.3	10.5	235	14.1	14.1
MAGNIFICA - 2m	MAGNIFICA - 2												15.0	15.0
MAGNIFICA - 3m	MAGNIFICA - 3			294	657	240	113	353	155	15.8	10.5	235	19.4	19.4
MAGNIFICA - 4m	MAGNIFICA - 4												20.6	20.6
MAGNIFICA - 5m	MAGNIFICA - 5												23.3	23.3

BASE (mm)

Base for MAGNIFICA 1-2



Base for MAGNIFICA 3-4-5



ABSORPTION

MODEL	VOLTAGE	
Single-phase	220 V	115 V
MAGNIFICA - 1m	5.0 A	10.0 A
MAGNIFICA - 2m	6.0 A	12.0 A
MAGNIFICA - 3m	9.6 A	-
MAGNIFICA - 4m	11.3 A	-
MAGNIFICA - 5m	14.0 A	-

MODEL	VOLTAGE	
Three-phase	220 V	380 V
MAGNIFICA - 1	3.8 A	2.2 A
MAGNIFICA - 2	4.7 A	2.7 A
MAGNIFICA - 3	7.3 A	4.2 A
MAGNIFICA - 4	8.0 A	4.6 A
MAGNIFICA - 5	9.0 A	5.2 A

CAPACITORS

MODEL	CAPACITANCE	
Single-phase	220 V	115 V
MAGNIFICA - 1m	20 µF - 450VL	60 µF - 300VL
MAGNIFICA - 2m	20 µF - 450VL	60 µF - 300VL
MAGNIFICA - 3m	31.5 µF - 450VL	-
MAGNIFICA - 4m	45 µF - 450VL	-
MAGNIFICA - 5m	50 µF - 450VL	-