

# MAGNIFICA

## Self-priming pumps for swimming pools



Residential  
Swimming Pools



Public  
Swimming Pools



Clean water



Domestic use



Civil use



### PERFORMANCE RANGE

- Flow rate up to **700 l/min** (42 m<sup>3</sup>/h)
- Head up to **23 m**

### APPLICATION LIMITS

- Manometric suction lift up to **4 m** (HS)
- Liquid temperature up to **+45 °C**
- Ambient temperature up to **+50 °C**
- Max. working pressure **2.5 bar**
- Continuous service **S1**

### CONSTRUCTION AND SAFETY STANDARDS

EN 60335-1  
IEC 60335-1  
CEI 61-150

EN 60034-1  
IEC 60034-1  
CEI 2-3



EU REGULATION N. 547/2012

### CERTIFICATIONS

Company with management  
system certified DNV ISO 9001: QUALITY



### INSTALLATION AND USE

Self-priming centrifugal electric pumps with pre-filter suitable for circulating and filtering the water of swimming pools, especially for those requiring large flow rates (skimming).

Recommended for residential swimming pools and public swimming pools up to 180 m<sup>3</sup>.

Waters for use in swimming pools (pH 6.5 – 8.4).

Installation needs to be undertaken in ventilated areas and protected from bad weather with adequate space for maintenance.

### PATENTS - TRADE MARKS - MODELS

- **MAGNIFICA**® Registered Trade Mark n. 018159079
- Registered EU Design n. 007671839

### OPTIONS AVAILABLE ON REQUEST

- Other voltages or 60 Hz frequency
- Smooth connection 63 mm
- Smooth connection 2" BS
- Threaded connection 2" NPT

✘ Particularly sturdy and corrosion resistant electric pumps, made with high quality and thick components, ensuring a long life and quiet operation.

✘ High flow rate with low energy consumption.

✘ Pre-filter complete with transparent lid to facilitate visual inspection, wing nuts for quick opening without additional tools, extra-large filter basket to reduce the frequency of cleaning operations.

✘ Special anti-corrosion plastic base that provides stable support for the pump and piping.

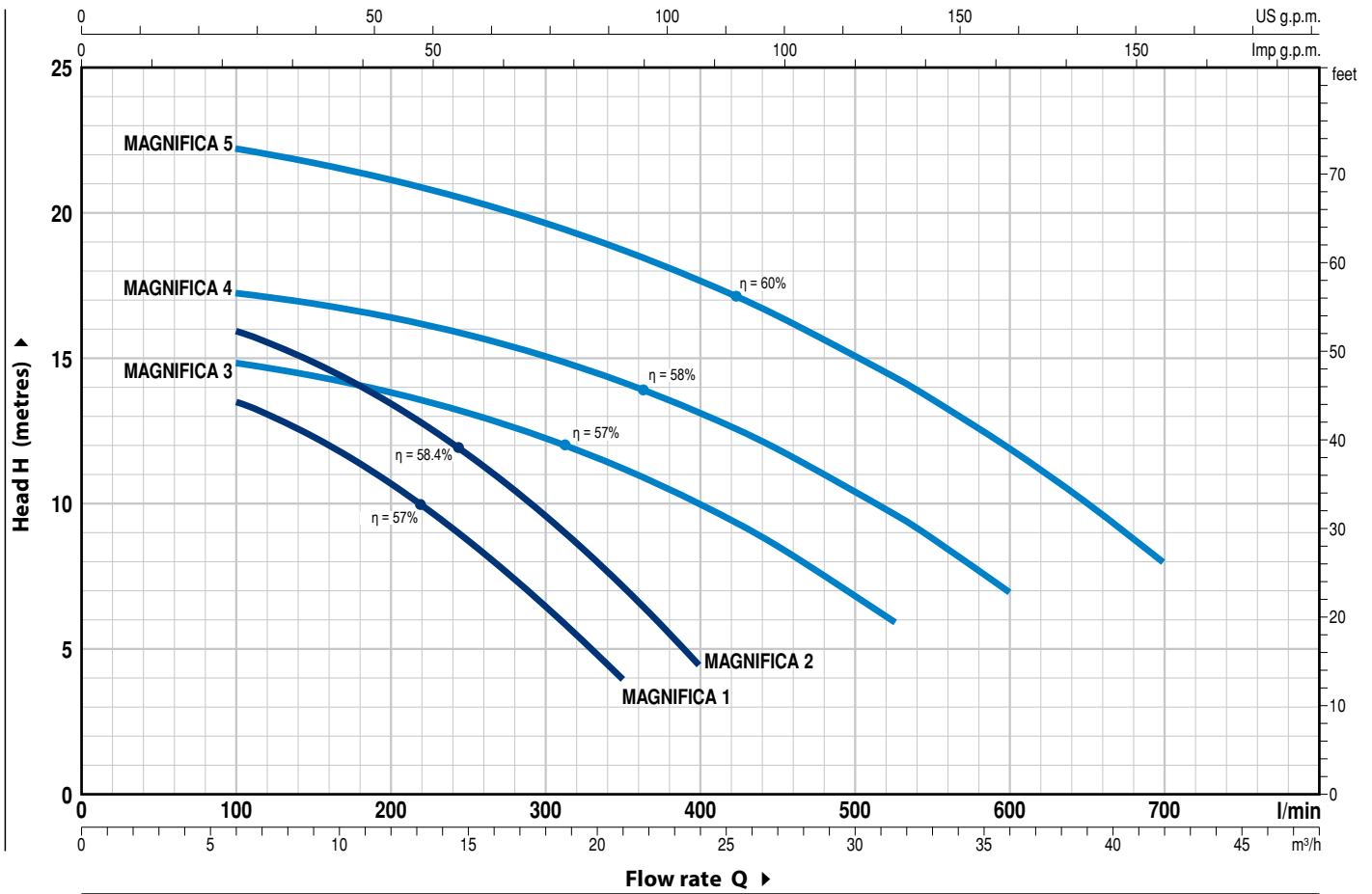
✘ Double insulation between hydraulic parts and the electric motor. The pump/motor shaft is never in contact with water to ensure maximum safety.

✘ High resistance to heat and to chemical and salt corrosion.

✘ Connection fittings with 2" GAS ISO 228/1 threaded ports. Screws in AISI 316.

## CHARACTERISTIC CURVES AND PERFORMANCE DATA

50 Hz n = 2900 min<sup>-1</sup> HS = 0 m



MODEL		POWER (P <sub>2</sub> )			Q	H metres													
Single-phase	Three-phase	kW	HP	▲		0	6.0	9.0	12	15	18	21	24	30	36	42			
						0	100	150	200	250	300	350	400	525	600	700			
MAGNIFICA - 1m	MAGNIFICA - 1T	0.55	0.75			14.5	13.5	12.3	10.7	8.8	6.5	4							
MAGNIFICA - 2m	MAGNIFICA - 2T	0.75	1			17	16	14.9	13.5	11.8	9.7	7.3	4.5						
MAGNIFICA - 3m	MAGNIFICA - 3T	1.1	1.5	IE3		15.5	14.9	14.4	13.9	13.2	12.3	11.3	10	6					
MAGNIFICA - 4m	MAGNIFICA - 4T	1.5	2			17.7	17.3	16.9	16.4	15.8	15.1	14.2	13.1	9.6	7				
-	MAGNIFICA - 5T	2.2	3			23	22.2	21.8	21.2	20.5	19.7	18.8	17.7	14.4	11.9	8			

Q = Flow rate H = Total manometric head HS = Suction height

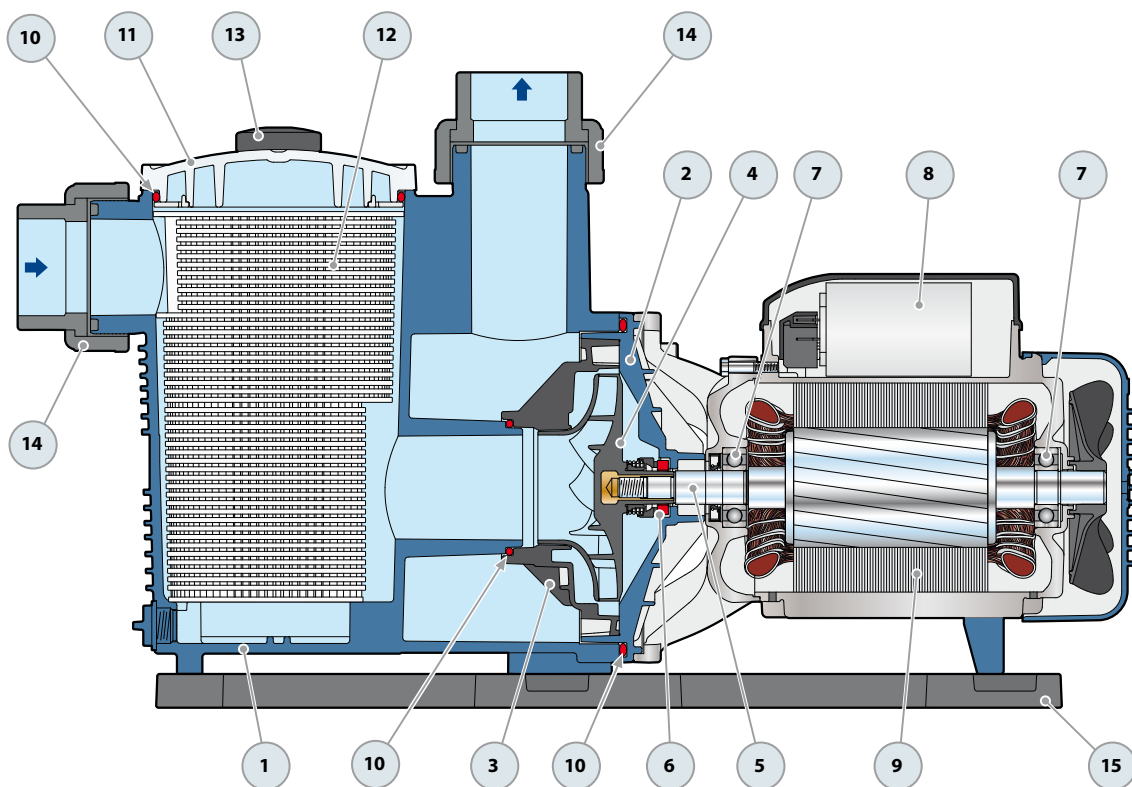
Tolerance of characteristic curves in compliance with EN ISO 9906 Grade 3B.

▲ Three-phase motor efficiency class (IEC 60034-30-1)

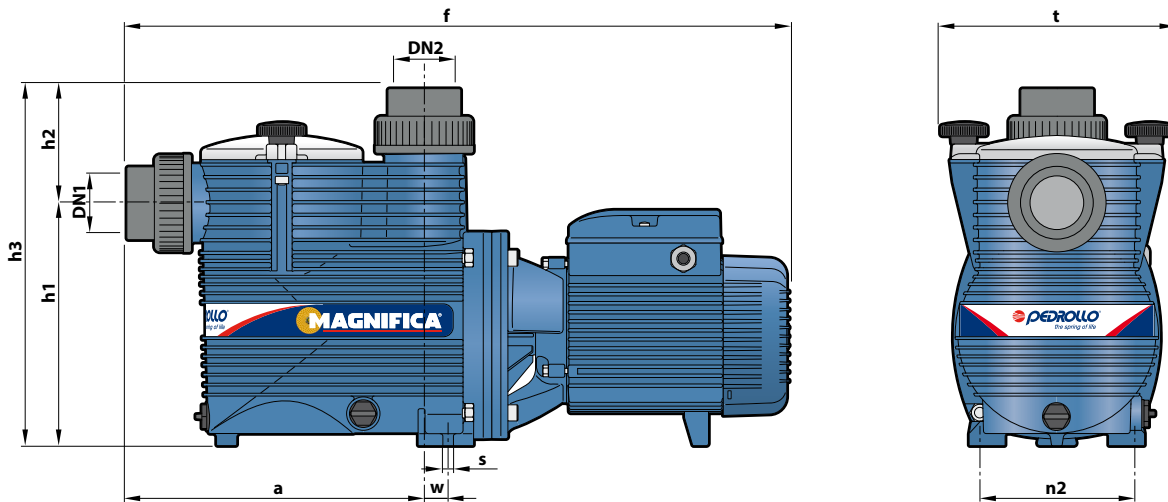
# MAGNIFICA

## POS. COMPONENT CONSTRUCTION CHARACTERISTICS

1	<b>PUMP BODY</b>	Glass fibre reinforced polypropylene with threaded ports in compliance with ISO 228/1					
2	<b>DOOR SEAL INSERT</b>	Glass fibre reinforced polypropylene					
3	<b>DIFFUSER</b>	Noryl					
4	<b>IMPELLER</b>	Noryl					
5	<b>MOTOR SHAFT</b>	Stainless steel AISI 431					
6	<b>MECHANICAL SEAL</b>	<i>Pump</i>	<i>Seal</i>	<i>Shaft</i>	<i>Materials</i>		
		<i>Model</i>	<i>Model</i>	<i>Diameter</i>	<i>Stationary ring</i>	<i>Rotational ring</i>	<i>Elastomer</i>
		<b>MAGNIFICA 1-2</b>	<b>AR-17</b>	<b>Ø 17</b>	Ceramic	Graphite	NBR
		<b>MAGNIFICA 3-4-5</b>	<b>AR-20R</b>	<b>Ø 20</b>	Ceramic	Graphite	NBR
7	<b>BEARINGS</b>	<i>Pump</i>	<i>Model</i>				
		<b>MAGNIFICA 1-2</b>	<b>6203 2RS / 6203 2RS</b>				
		<b>MAGNIFICA 3-4-5</b>	<b>6204 2RS / 6204 2RS</b>				
8	<b>CAPACITOR</b>						
9	<b>ELECTRIC MOTOR</b>	<b>MAGNIFICA m:</b> single-phase 230 V - 50 Hz with thermal overload protector incorporated into the winding.					
		<b>MAGNIFICA T:</b> three-phase 230/400 V - 50 Hz.					
		<p>➔ <b>The three-phase pumps are fitted with high performance motors in class IE3 (IEC 60034-30-1)</b></p> <ul style="list-style-type: none"> <li>- Insulation: class F</li> <li>- Protection: IP X4</li> </ul>					
10	<b>OR</b>	NBR					
11	<b>BODY BACKPLATE</b>	Polycarbonate					
12	<b>PRE-FILTER</b>	Polypropylene					
13	<b>CLOSURE KNOB</b>	Nylon					
14	<b>CONNECTIONS</b>	PVC-U					
15	<b>BASE</b>	Polypropylene					



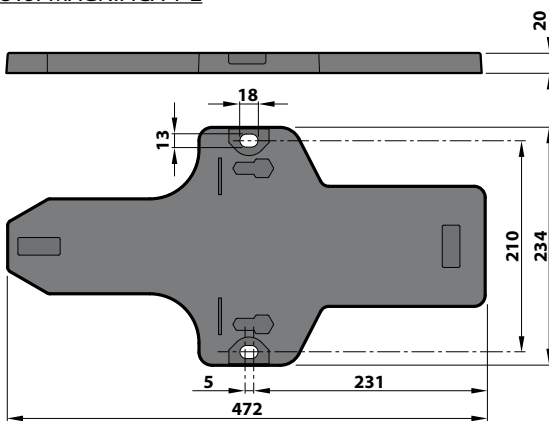
## DIMENSIONS AND WEIGHT



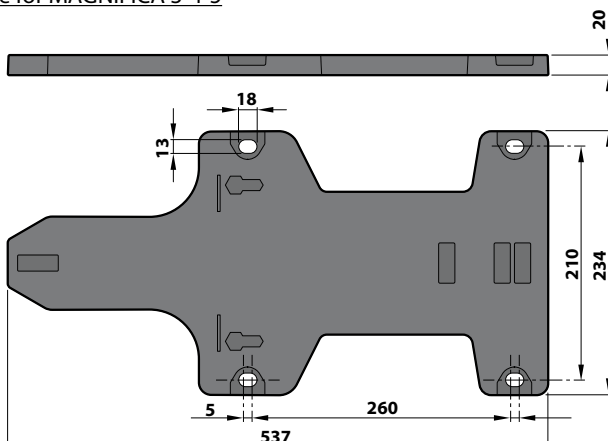
MODEL		PORTS		DIMENSIONS mm									kg	
Single-phase	Three-phase	DN1	DN2	a	f	h1	h2	h3	n2	w	s	t	1~	3~
MAGNIFICA - 1m	MAGNIFICA - 1T	2"	2"	294	583	240	113	353	155	4.3	10.5	235	14.0	13.9
MAGNIFICA - 2m	MAGNIFICA - 2T			294	657	240	113	353	155	15.8	10.5	235	14.9	14.8
MAGNIFICA - 3m	MAGNIFICA - 3T			294	677	240	113	353	155	15.8	10.5	235	19.4	19.3
MAGNIFICA - 4m	MAGNIFICA - 4T			294	677	240	113	353	155	15.8	10.5	235	20.4	20.4
-	MAGNIFICA - 5T												-	23.1

## BASE (mm)

Base for MAGNIFICA 1-2



Base for MAGNIFICA 3-4-5



## ABSORPTION

MODEL	VOLTAGE		CAPACITANCE (230 V or 240 V)
	230 V	240 V	
Single-phase	230 V	240 V	(230 V or 240 V)
MAGNIFICA - 1m	4.2 A	4.0 A	20 µF - 450 VL
MAGNIFICA - 2m	5.6 A	5.4 A	20 µF - 450 VL
MAGNIFICA - 3m	8.2 A	7.9 A	31.5 µF - 450 VL
MAGNIFICA - 4m	10.4 A	10 A	45 µF - 450 VL

MODEL	VOLTAGE					
	230 V	400 V	690 V	240 V	415 V	720 V
Three-phase	230 V	400 V	690 V	240 V	415 V	720 V
MAGNIFICA - 1T	2.8 A	1.6 A	0.9 A	2.7 A	1.5 A	0.9 A
MAGNIFICA - 2T	3.6 A	2.1 A	1.2 A	3.5 A	2.0 A	1.2 A
MAGNIFICA - 3T	6.2 A	3.6 A	2.1 A	5.9 A	3.5 A	2.0 A
MAGNIFICA - 4T	7.8 A	4.5 A	2.6 A	7.5 A	4.3 A	2.5 A
MAGNIFICA - 5T	8.7 A	5.0 A	2.9 A	8.3 A	4.8 A	2.8 A