

# G THOR

TRACTOR DRIVEN PTO GENERATORS 60HZ



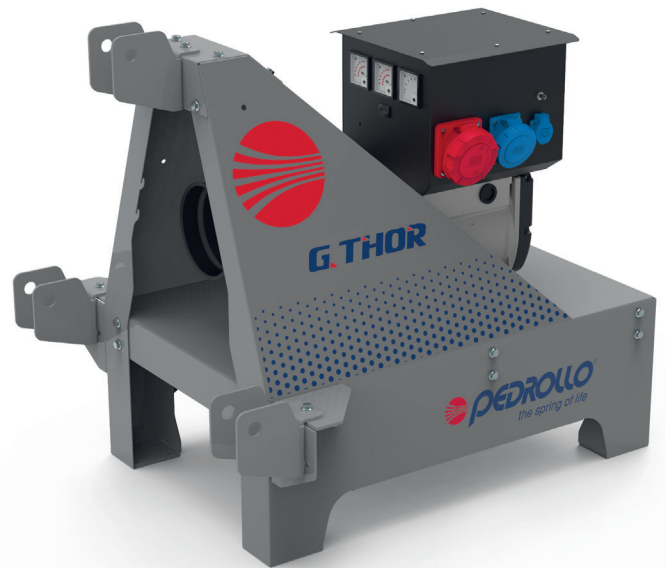
**MADE IN ITALY**

 **PEDROLLO**<sup>®</sup>  
the spring of life

# G THOR

## Tractor driven PTO generators 60Hz

- ※ **G-THOR: THE EASIEST AND MOST CONVENIENT SOLUTION TO PROVIDE PORTABLE ELECTRICAL POWER IN THE AGRICULTURAL SECTOR**
- ※ **G-THOR** is a tractor driven **PTO** (power take-off) generator that includes synchronous alternator, coupled to a speed increaser gearbox, towable by the tractor via three-point hitch.
- ※ The generator can be used after being placed on the ground. After having connected the tractor **PTO** shaft to the speed increaser gearbox with a cardan shaft, the tractor **PTO** must be set up at the required rpm.
- ※ The gearbox, transmitting the tractor **PTO** mechanical power to the alternator, increases the **PTO** required rpm up to the alternator nominal speed. The perfect working conditions are reached once the frequency meter indicates 50Hz value.
- ※ All **PTO** generators are available in both single and three-phase configurations.



## APPLICATION

- This series has been designed to provide reliable power in emergency situations and for rural areas.
- Main applications are:
  - Submersible pumps
  - Milking and cooling equipments
  - Harvesting activities
  - Poultry, sheep and cattle farms
  - Feeding equipments
  - Climate controlled warehouses
  - Dairy activities
  - Wheat mills



### TECHNICAL DATA

MODEL	LINZ ELECTRIC ALTERNATOR	GEAR BOX (COMER)	GEAR BOX (BIMA)	ELECTRIC POWER @ 0.8P.F (kVA) 60Hz	ELECTRIC POWER (kW) 60Hz	TRACTOR PTO OUTPUT POWER (HP) @required rpm		TRACTOR PTO REQUIRED RPM	WEIGHT (kg)	DIMENSIONS	SUGGESTED TRACTOR POWER (HP)
						540 PTO speed	1000 PTO speed				
<b>COMPOUND REGULATION</b>											
<b>G-TS10C</b>	E1S13S B/4	A-624B(1;3,5)	-	12	12	21	-	515	165	SMALL	32
<b>G-TS16C</b>	E1S13M E/4	A-624B(1;3,5)	-	19	19	32,2	-	515	191	SMALL	50
<b>G-TS20C</b>	E1S13MF /4	A-624B(1;3,5)	-	24	24	39,4	-	515	194,5	SMALL	60
<b>ELECTRONIC REGULATION</b>											
<b>G-TS20</b>	PRO18S A/4	A-624C(1;3,5)	-	24	24	38,5	-	515	233	SMALL	55
<b>G-TS25</b>	PRO18S B/4	A-624C(1;3,5)	-	30	30	47,6	-	515	243	SMALL	70
<b>G-TS30</b>	PRO18S C/4	A-624C(1;3,5)	-	36	36	56,4	-	515	261	SMALL	85
<b>G-TS42</b>	PRO18M E/4	A-624C(1;3,5)	-	46	37	57	-	515	303	SMALL	90
<b>G-TM50</b>	PRO18L F/4	-	MGE7(1;3,5,7)	60	48	73,8	-	504	352	MEDIUM	120
<b>G-TL75</b>	PRO22 SB/4	-	MGE9(1;3,5,7)	90	72	109	-	504	494,5	LARGE	180
<b>G-TL85</b>	PRO22 SC/4	-	MGE10(1;3,8)	102	91	133	-	474	517,5	LARGE	235
<b>G-TL100</b>	PRO22 SD/4	-	MGE10(1;3,8)	114	91	133	-	474	556,5	LARGE	235
<b>G-TL130</b>	PRO22 ME/4	-	AMA (1:2)	130	110	-	161	900	654,5	LARGE	300

#### OVERLOAD CAPACITY

The available engine start up capacity is up to 300% for 10 seconds and up to 50% for 2 minutes.

The alternator can bear 10% overload for one hour on 6 working hours.

#### SHORT CIRCUIT CURRENT

In case of three-phase symmetric short circuit, the permanent current is approx. three times of the rated current and it can be sustained for at least 10 seconds.

### G-THOR GOING DIGITAL

The **PRO** series alternators can be equipped with the DR30 digital regulator which allows to read comfortably from the dedicated App (available for Android and iOS) on your smartphone the following parameters:

- Generator Frequency
- Voltage Phase R-S-T
- Current, Cosphi, Active power

#### ELECTRIC PANEL

The models up to G-TL85 are equipped with an electrical panel which includes: Voltmeter, Ammeter, Frequency meter, Hour meter, 5P CEE socket, 2 x 3P CEE sockets with thermal protection, circuit breakers and Earth leakage breaker. The G-TL100 and G-TL130 models are equipped with an electrical panel with Voltmeter, Ammeter, Frequency Meter, Hour Meter, a full power terminal board with MGT, 2 x CEE 3P sockets with MGT.

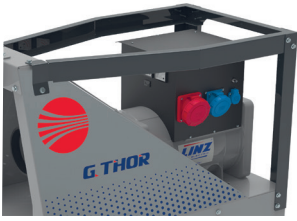
#### REFERENCE STANDARDS

The **G-THOR** series is built in accordance with EN 60034-1, EN 60204-1, EN61000-6-2, EN61000-6-4, EN55014-1, EN 55011 standards and the 2006/95/CE and 2004/108/CE directives.



## ACCESSORIES

---



### EXTRA PROTECTION BARS:

Extra bars for panel protection

---



### DMK70 DEVICE FOR PANEL:

Three-phase digital voltmeter that reads every amperage phase + protection and general shut-down breaker in case of: phase loss, phase sequence, max-min voltage, max-min frequency and voltage asymmetry. All parameters settable by end user electrician.

---



### WHEELS KIT FOR MANUAL MOVEMENTS:

Supplied separately in a carton box with screws and assembling instructions.  
2x fixed wheels + 2x steering wheels with brakes. Total acceptable load: 800kg.

---



### TRAILER KIT FOR GROUND MOVEMENTS:

Supplied with axle and 2 x tires + shaft variable in height.

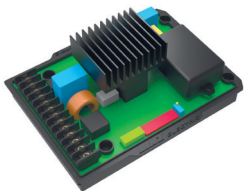
---



### 3 POINTS HITCH PINS KIT :

2 x low points diameter 28 + 1 x top point diameter 25 + 3 pins

---



### DIGITAL CONNECTION KIT

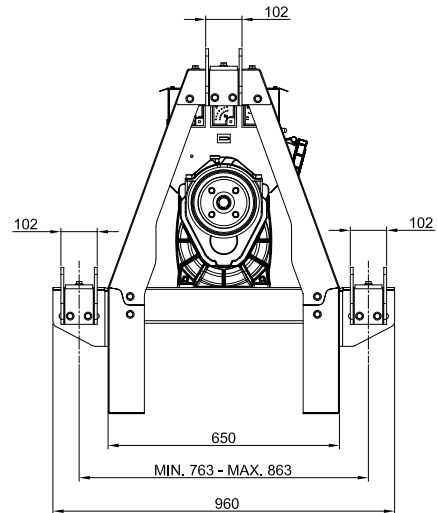
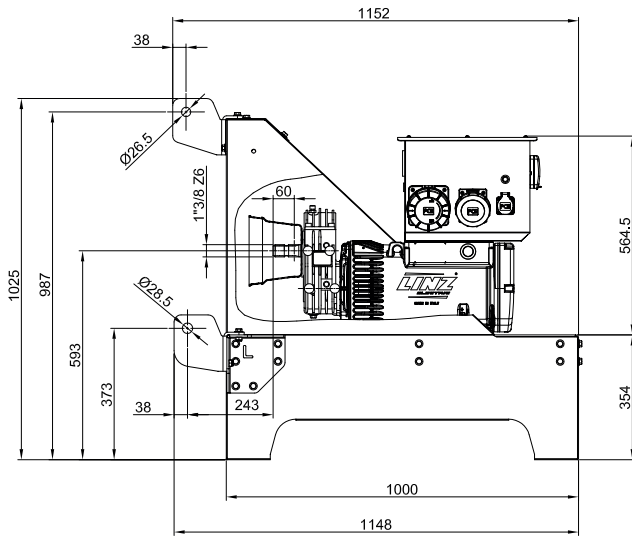
including DR30 digital regulator (for PRO alternators series) + connection module to read parameters on your smartphone

---

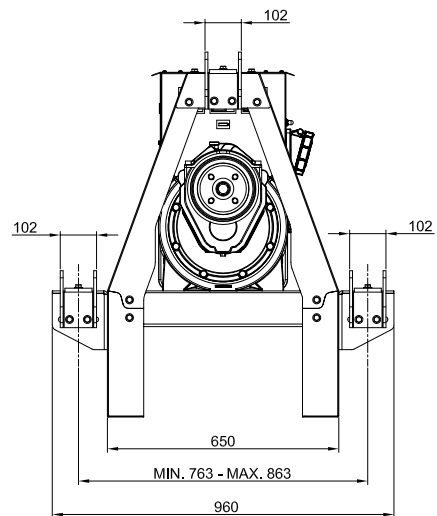
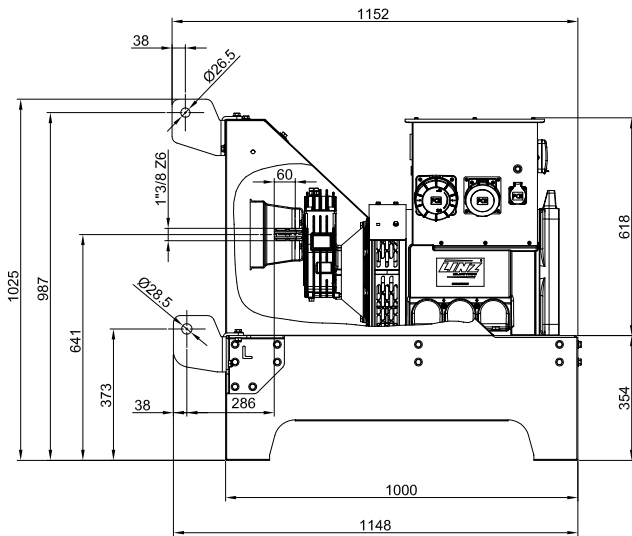
# G. THOR Tractor driven PTO generators 60Hz

## DIMENSIONS

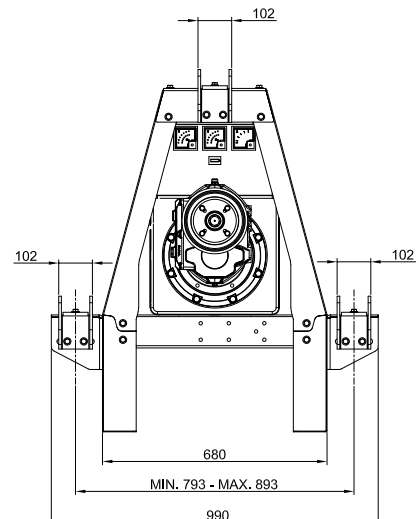
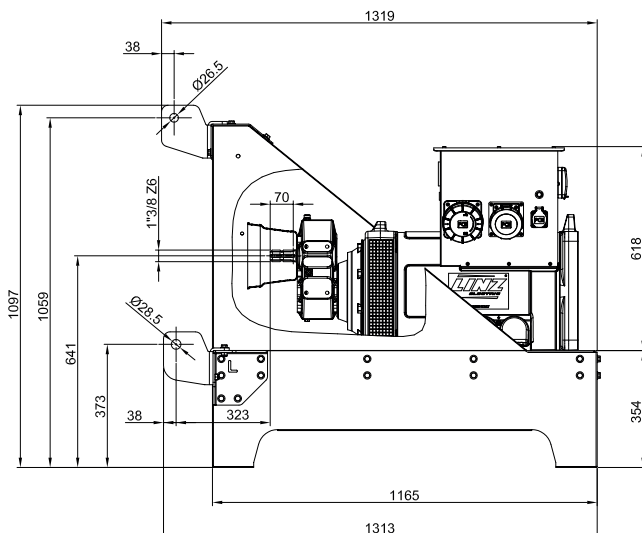
### ● SMALL - E1S13S-M



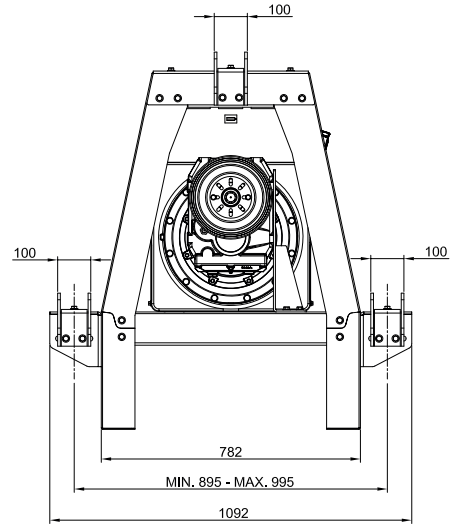
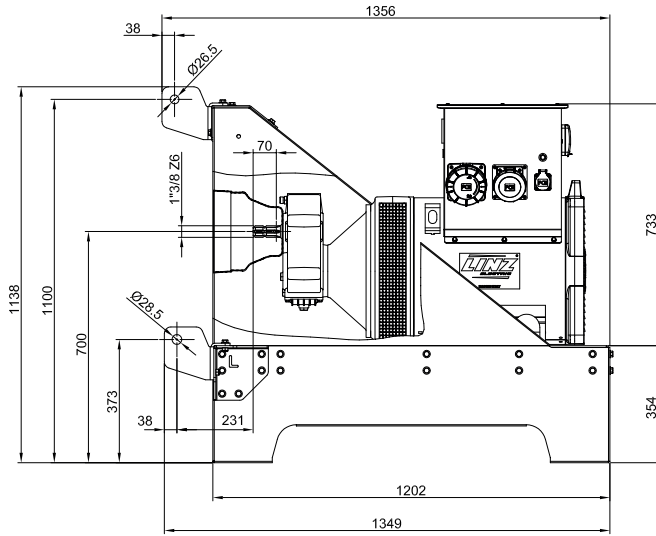
### ● SMALL - PRO18S-M



### ● MEDIUM - PRO18L



● **LARGE - PRO22SB - SC - SD**



● **LARGE - PRO22ME**

