

G THOR

TRACTOR DRIVEN PTO GENERATORS



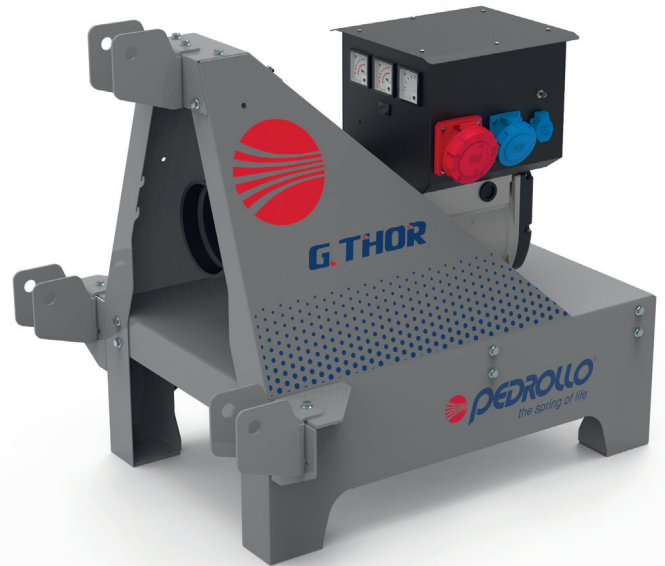
MADE IN ITALY

 **PEDROLLO**[®]
the spring of life

G THOR

Tractor driven PTO generators

- ※ **G-THOR: THE EASIEST AND MOST CONVENIENT SOLUTION TO PROVIDE PORTABLE ELECTRICAL POWER IN THE AGRICULTURAL SECTOR**
- ※ **G-THOR** is a tractor driven **PTO** (power take-off) generator that includes synchronous alternator, coupled to a speed increaser gearbox, towable by the tractor via three-point hitch.
- ※ The generator can be used after being placed on the ground. After having connected the tractor **PTO** shaft to the speed increaser gearbox with a cardan shaft, the tractor **PTO** must be set up at the required rpm.
- ※ The gearbox, transmitting the tractor **PTO** mechanical power to the alternator, increases the **PTO** required rpm up to the alternator nominal speed. The perfect working conditions are reached once the frequency meter indicates 50Hz value.
- ※ All **PTO** generators are available in both single and three-phase configurations.



APPLICATION

- This series has been designed to provide reliable power in emergency situations and for rural areas.
- Main applications are:
 - *Submersible pumps*
 - *Milking and cooling equipments*
 - *Harvesting activities*
 - *Poultry, sheep and cattle farms*
 - *Feeding equipments*
 - *Climate controlled warehouses*
 - *Dairy activities*
 - *Wheat mills*



G THOR

Tractor driven PTO generators

TECHNICAL DATA

MODEL	LINZ ELECTRIC ALTERNATOR	GEAR BOX (COMER)	GEAR BOX (BIMA)	ELECTRIC POWER @ 0.8P.F (kVA) 230/400V - 50Hz	ELECTRIC POWER (kW) 230/400V - 50Hz	TRACTOR PTO OUTPUT POWER (HP) @required rpm		TRACTOR PTO REQUIRED RPM	WEIGHT (kg)	DIMENSIONS	SUGGESTED TRACTOR POWER (HP)
						540 PTO speed	1000 PTO speed				
COMPOUND REGULATION											
G-TS10C	E1S13S B/4	A-624 B	-	10	10	17,6	-	430	165	SMALL	32
G-TS16C	E1S13M E/4	A-624 B	-	16	16	27,2	-	430	191	SMALL	50
G-TS20C	E1S13MF /4	A-624 B	-	20	20	33,6	-	430	194,5	SMALL	60
ELECTRONIC REGULATION											
G-TS20	PRO18S A/4	A-624 C	-	20	20	32,7	-	430	233	SMALL	55
G-TS25	PRO18S B/4	A-624 C	-	25	25	40,5	-	430	243	SMALL	70
G-TS30	PRO18S C/4	A-624 C	-	30	30	47,6	-	430	261	SMALL	85
G-TS42	PRO18M E/4	A-624 C	-	42	31	50,4	-	430	303	SMALL	90
G-TM50	PRO18L F/4	-	MGE7	50	43	65,8	-	420	352	MEDIUM	120
G-TL75	PRO22 SB/4	-	MGE9	75	65	98,7	-	420	494,5	LARGE	180
G-TL85	PRO22 SC/4	-	MGE9	85	66	98,7	-	420	514,5	LARGE	180
G-TL100	PRO22 SD/4	-	MGE10	100	84	126	-	500	556,5	LARGE	235
G-TL130	PRO22 ME/4	-	AMA	130	110	-	161	750	654,5	LARGE	300

OVERLOAD CAPACITY

The available engine start up capacity is up to 300% for 10 seconds and up to 50% for 2 minutes.

The alternator can bear 10% overload for one hour on 6 working hours.

SHORT CIRCUIT CURRENT

In case of three-phase symmetric short circuit, the permanent current is approx. three times of the rated current and it can be sustained for at least 10 seconds.

G-THOR GOING DIGITAL

The **PRO** series alternators can be equipped with the DR30 digital regulator which allows to read comfortably from the dedicated App (available for Android and iOS) on your smartphone the following parameters:

- Generator Frequency
- Voltage Phase R-S-T
- Current, Cosphi, Active power

ELECTRIC PANEL

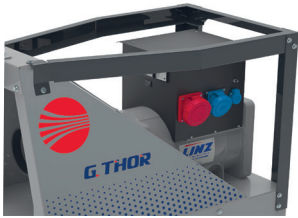
The models up to G-TL85 are equipped with an electrical panel which includes: Voltmeter, Ammeter, Frequency meter, Hour meter, 5P CEE socket, 2 x 3P CEE sockets with thermal protection, circuit breakers and Earth leakage breaker. The G-TL100 and G-TL130 models are equipped with an electrical panel with Voltmeter, Ammeter, Frequency Meter, Hour Meter, a full power terminal board with MGT, 2 x CEE 3P sockets with MGT.

REFERENCE STANDARDS

The **G-THOR** series is built in accordance with EN 60034-1, EN 60204-1, EN61000-6-2, EN61000-6-4, EN55014-1, EN 55011 standards and the 2006/95/CE and 2004/108/CE directives.



ACCESSORIES



EXTRA PROTECTION BARS:

Extra bars for panel protection



DMK70 DEVICE FOR PANEL:

Three-phase digital voltmeter that reads every amperage phase + protection and general shut-down breaker in case of: phase loss, phase sequence, max-min voltage, max-min frequency and voltage asymmetry. All parameters settable by end user electrician.



WHEELS KIT FOR MANUAL MOVEMENTS:

Supplied separately in a carton box with screws and assembling instructions.
2x fixed wheels + 2x steering wheels with brakes. Total acceptable load: 800kg.



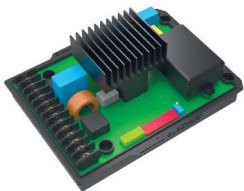
TRAILER KIT FOR GROUND MOVEMENTS:

Supplied with axle and 2 x tires + shaft variable in height.



3 POINTS HITCH PINS KIT :

2 x low points diameter 28 + 1 x top point diameter 25 + 3 pins

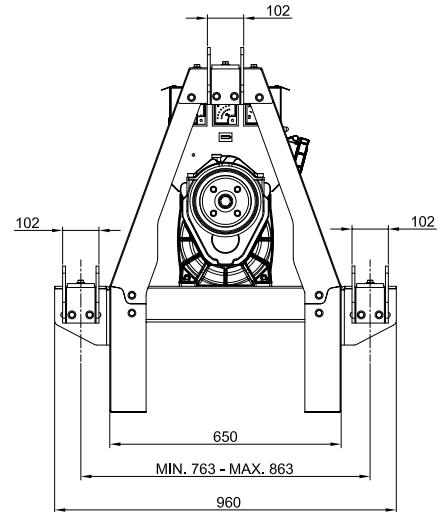
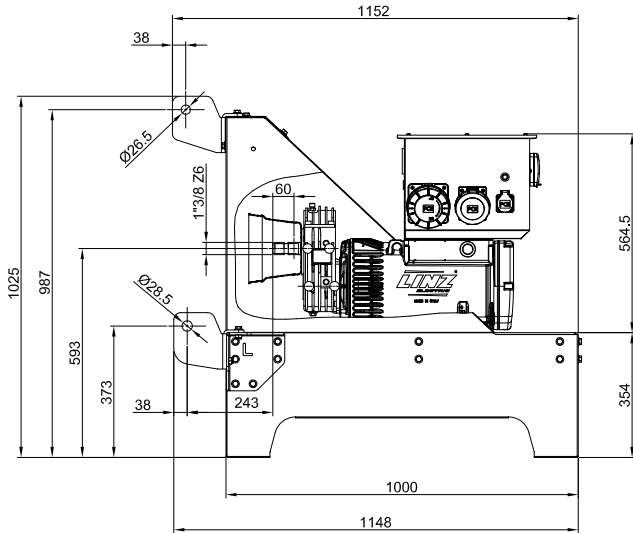


DIGITAL CONNECTION KIT

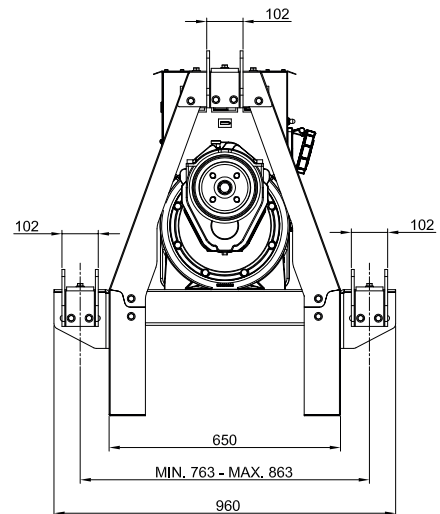
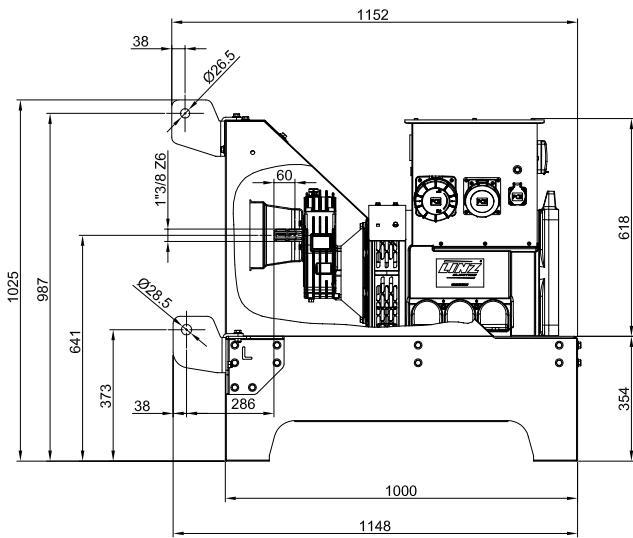
including DR30 digital regulator (for PRO alternators series) + connection module to read parameters on your smartphone

DIMENSIONS

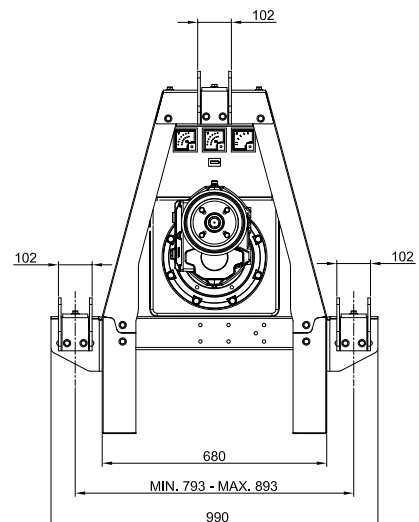
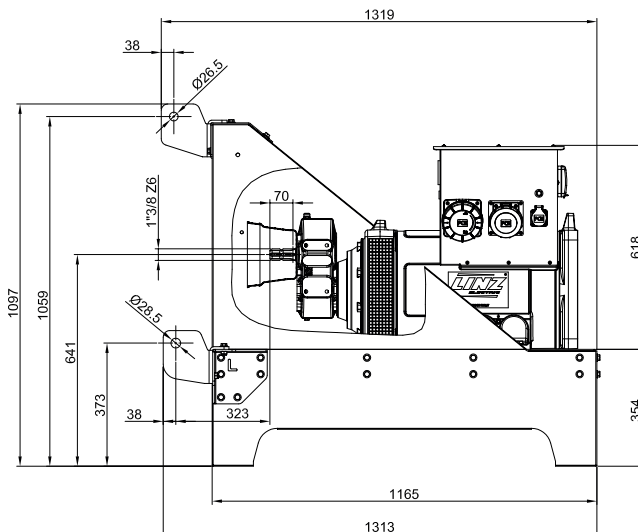
● SMALL -E1S13S-M



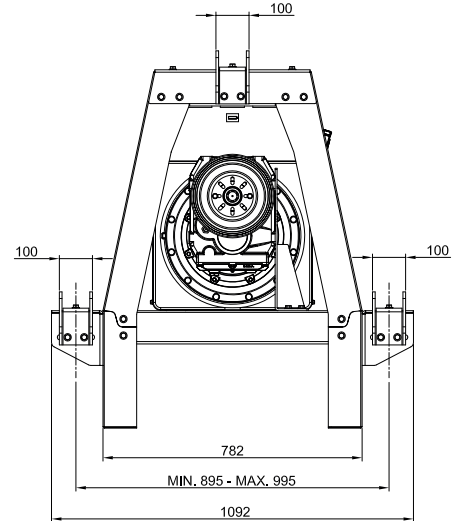
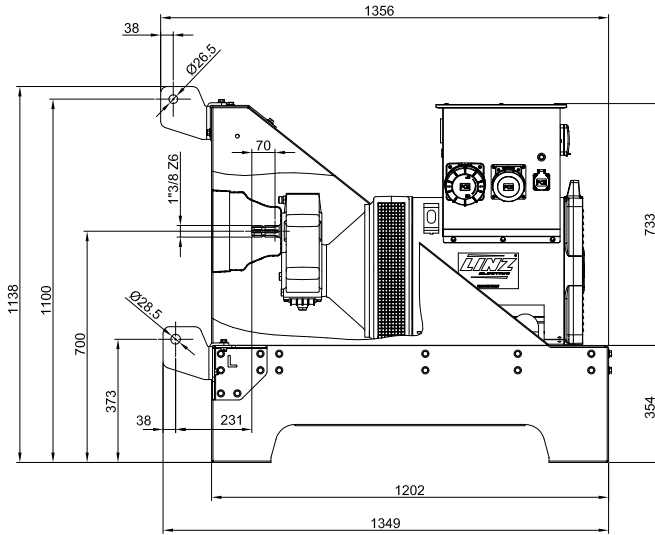
● SMALL - PRO18S-M



● MEDIUM - PRO18L



● **LARGE - PRO22SB - SC - SD**



● **LARGE - PRO22ME**

