



STAINLESS STEEL  
Self-priming "JET" pumps

INTERNATIONAL  
PATENT

ENERGY SAVING  
UP TO 50%



MADE IN ITALY



60 Hz



-  Clean water
-  Domestic use
-  Civil use

## Self-priming "JET" pumps

### From an evolution of the classic JET concept a SUPER JET was born. The stainless steel self-priming pump of the future!

Our Research and Development department has accomplished the evolution of the classic self-priming pump and designing the **FUTURE JET-ST**.

**FUTURE JET-ST**, which has an internationally filed patent, is able to obtain the same pressure as a classic JET whilst at the same time doubling its capacity and achieving a reduction in energy consumption of up to 50%.

- ※ High hydraulic efficiency
- ※ Energy savings up to 50%
- ※ Reduction of turbulence for a very stable operation of the pump
- ※ A better power/flow ratio
- ※ Stainless steel pump body and impeller



#### A BRIEF HISTORY

Self-priming ejector pumps were designed about 60 years ago. These types of pumps were a great success, mainly for two reasons:

1. self-priming up to 9 metres in depth;
2. an increase in pressure because of the internal recirculation of a part of the water already under pressure thanks to the impeller.

On the other hand the greatest limit of this pump is the low flow rate, actually a half of what can be reached with a classic centrifugal pump of the same power. A classic JET pump will take twice the time of a centrifugal pump to process the same amount of water, thus doubling the energy consumption.

- ※ ***This limitation no longer applies with the new FUTURE JET-ST.***

#### PERFORMANCE RANGE

Flow rate up to **120 l/min (7.2 m<sup>3</sup>/h)**  
Head up to **58 m**

#### APPLICATION LIMITS

Manometric suction lift up to **9 m (HS)**  
Liquid temperature between **-10 °C** and **+40 °C**  
Ambient temperature up to **+40 °C**  
Max. working pressure in pump body **6 bar**  
Continuous service **S1**

#### INSTALLATION AND USE

Suitable for pumping clean water and liquids which are not chemically aggressive for the materials of the pump.

The self-priming **FUTURE JET-ST** pumps are designed to pump water even in cases where air is present. Because of their reliability and the fact that they are easy to use, they are recommended for use in

domestic applications such as the distribution of water coupled with small or medium-sized pressure tanks for irrigating vegetable gardens or gardens, etc.

Installation needs to be undertaken in well ventilated closed areas or anyway protected from bad weather.

#### PATENTS - TRADE MARKS - MODELS

- ※ **FUTURE JET® Registered Trade Mark n° 018198453**
- ※ **Patent n° PCT/IT2019/050168**

#### OPTIONS AVAILABLE ON REQUEST

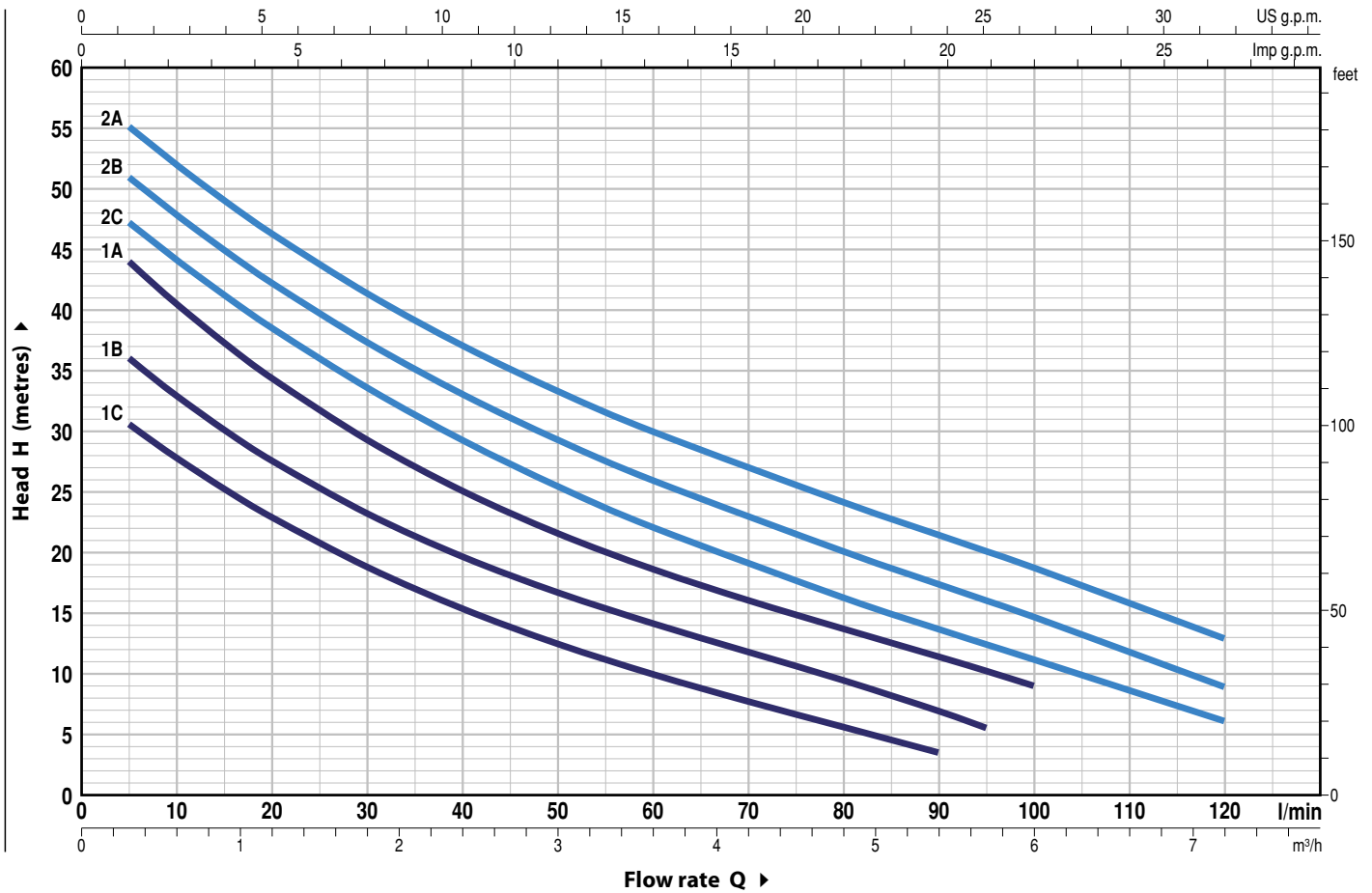
- Other voltages

#### WARRANTY

2 years in accordance with our general conditions of sale

## CHARACTERISTIC CURVES AND PERFORMANCE DATA

60 Hz n = 3450 min<sup>-1</sup> HS = 0 m



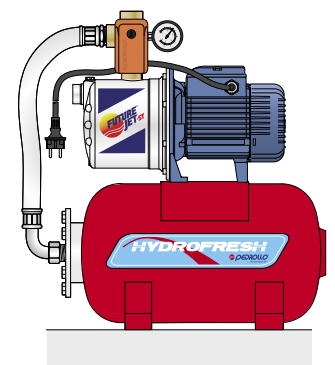
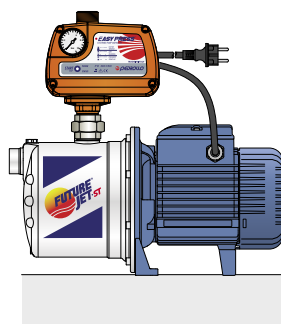
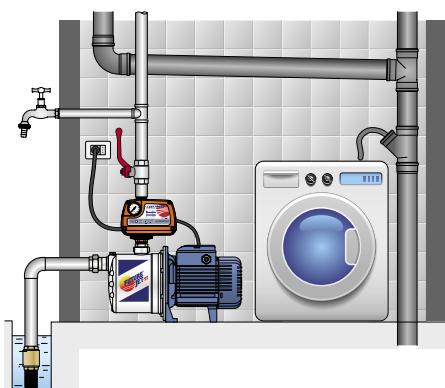
MODEL		POWER (P <sub>2</sub> )		Q	H metres											
Single-phase	Three-phase	kW	HP ▲		m <sup>3</sup> /h	0	0.3	0.6	1.2	2.4	3.6	4.8	5.4	5.7	6	7.2
				l/min	0	5	10	20	40	60	80	90	95	100	120	
FUTURE JETm 1C-ST	FUTURE JET 1C-ST	0.37	0.50	H metres	33.5	30.5	27.7	22.9	15.4	10	6	3.5				
FUTURE JETm 1B-ST	FUTURE JET 1B-ST	0.48	0.65		39.5	36	33	27.6	19.7	14.2	9.5	7	5.5			
FUTURE JETm 1A-ST	FUTURE JET 1A-ST	0.55	0.75		48	44	40.6	34.5	25.2	18.7	13.7	11.4	10.2	9		
FUTURE JETm 2C-ST	FUTURE JET 2C-ST	0.75	1		50	47	43.8	38.3	29	22	16.2	13.5	12.3	11	6	
FUTURE JETm 2B-ST	FUTURE JET 2B-ST	0.90	1.25		54	51	47.8	42.2	33	26	20.2	17.5	16	14.7	9	
FUTURE JETm 2A-ST	FUTURE JET 2A-ST	1.1	1.5		58	55	51.8	46.2	37	30	24.2	21.5	20	18.8	13	

Q = Flow rate H = Total manometric head HS = Suction height

Tolerance of characteristic curves in compliance with EN ISO 9906 Grade 3B.

▲ Three-phase motor efficiency class (IEC 60034-30-1)

## STANDARD INSTALLATION



**COMPONENT                      CONSTRUCTION CHARACTERISTICS**

**PUMP BODY**                      Stainless steel AISI 304, with threaded ports in compliance with ISO 228/1

**BODY BACKPLATE**              Stainless steel AISI 304

**NOZZLE ASSEMBLY**            Noryl

**IMPELLER**                      Stainless steel AISI 304

**MOTOR SHAFT**                 Stainless steel AISI 431

<b>MECHANICAL SEAL</b>	<i>Pump</i>	<i>Seal</i>	<i>Shaft</i>	<i>Materials</i>		
	<i>Model</i>	<i>Model</i>	<i>Diameter</i>	<i>Stationary ring</i>	<i>Rotating ring</i>	<i>Elastomer</i>
	<b>FUTURE JET 1-ST</b>	<b>AR-12</b>	<b>Ø 12 mm</b>	Ceramic	Graphite	NBR
	<b>FUTURE JET 2-ST</b>	<b>AR-14</b>	<b>Ø 14 mm</b>	Ceramic	Graphite	NBR

<b>BEARINGS</b>	<i>Pump</i>	<i>Model</i>
		<b>FUTURE JET 1-ST</b>
	<b>FUTURE JET 2-ST</b>	<b>6203 ZZ / 6203 ZZ</b>

**ELECTRIC MOTOR**            **FUTURE JETm-ST:** single-phase 220 V - 60 Hz with thermal overload protector incorporated into the winding.  
**FUTURE JET-ST:** three-phase 220 V/380 V - 60 Hz.

➡ **the three-phase pumps are fitted with high performance motors up to P<sub>2</sub>=0.55 kW in class IE2 and from P<sub>2</sub>=0.75 kW in class IE3 (IEC 60034-30-1)**

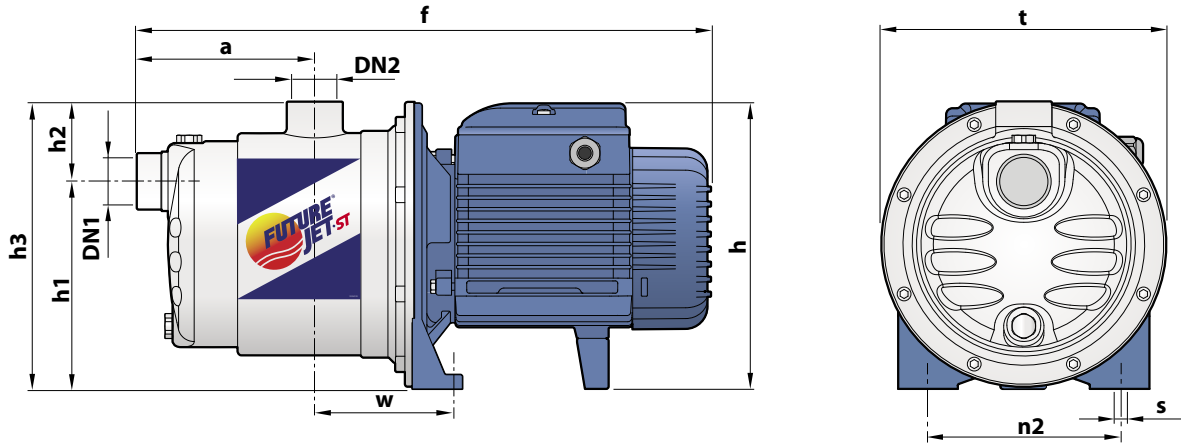
- Insulation: class F
- Protection: IP X4





## Self-priming "JET" pumps

### DIMENSIONS AND WEIGHT



MODEL		PORTS		DIMENSIONS mm										kg	
Single-phase	Three-phase	DN1	DN2	a	f	h	h1	h2	h3	t	n2	w	s	1~	3~
FUTURE JETm 1C-ST	FUTURE JET 1C-ST	1"	1"	113	367	183	132	51	183	182	120	87	9	6.9	7.0
FUTURE JETm 1B-ST	FUTURE JET 1B-ST													6.9	6.9
FUTURE JETm 1A-ST	FUTURE JET 1A-ST													7.6	6.9
FUTURE JETm 2C-ST	FUTURE JET 2C-ST	1"	1"	111	393	217 *	162	46	208	208	142	91	10	10.2	10.0
FUTURE JETm 2B-ST	FUTURE JET 2B-ST													11.1	11.0
FUTURE JETm 2A-ST	FUTURE JET 2A-ST													11.8	11.1

(\*) h=236 mm for single-phase version at 110 V

### ELECTRICAL INPUTS

MODEL	VOLTAGE		
	220 V	110 V	127 V
Single-phase	220 V	110 V	127 V
FUTURE JETm 1C-ST	3.0 A	6.0 A	5.2 A
FUTURE JETm 1B-ST	3.3 A	6.6 A	5.7 A
FUTURE JETm 1A-ST	4.0 A	8.0 A	6.9 A
FUTURE JETm 2C-ST	5.0 A	10.0 A	9.0 A
FUTURE JETm 2B-ST	6.7 A	13.4 A	11.6 A
FUTURE JETm 2A-ST	6.9 A	13.8 A	12.9 A

MODEL	VOLTAGE			
	220 V	380 V	220 V	440 V
Three-phase	220 V	380 V	220 V	440 V
FUTURE JET 1C-ST	2.0 A	1.15 A	1.7 A	1.1 A
FUTURE JET 1B-ST	2.3 A	1.3 A	2.1 A	1.2 A
FUTURE JET 1A-ST	3.1 A	1.8 A	2.6 A	1.5 A
FUTURE JET 2C-ST	3.8 A	2.2 A	3.6 A	2.0 A
FUTURE JET 2B-ST	5.3 A	3.0 A	3.7 A	2.1 A
FUTURE JET 2A-ST	5.8 A	3.3 A	5.5 A	3.1 A

### CAPACITORS

MODEL	CAPACITANCE	
	(220 v)	(110 v)
Single-phase	(220 v)	(110 v)
FUTURE JETm 1C-ST	10 µF - 450 VL	25 µF - 250 VL
FUTURE JETm 1B-ST	12.5 µF - 450 VL	25 µF - 250 VL
FUTURE JETm 1A-ST	14 µF - 450 VL	25 µF - 250 VL
FUTURE JETm 2C-ST	20 µF - 450 VL	60 µF - 300 VL
FUTURE JETm 2B-ST	25 µF - 450 VL	60 µF - 300 VL
FUTURE JETm 2A-ST	25 µF - 450 VL	60 µF - 300 VL

**Pedrollo S.p.A.**

Via Enrico Fermi, 7 - 37047 San Bonifacio (Verona) Italy

tel. +39 045 6136311 - fax +39 045 7614663

vendite@pedrollo.com - sales@pedrollo.com - www.pedrollo.com

**MADE IN ITALY**

Z-DPL90068UK6