

D

Submersible drainage pumps



MADE IN ITALY

 **PEDROLLO**[®]
the spring of life

D Submersible drainage pumps

-  Clean water
-  Domestic use
-  Civic use
-  Industrial use

- ※ **D** electric pumps are efficient, powerful and robust cast-iron and stainless steel drainage pumps, suitable for the most demanding applications and recommended for domestic, civic and industrial use in fixed and mobile installations.
- ※ **They are recommended for pumping rainwater and wastewater with solid bodies up to 10 mm in diameter, for draining cellars, basements and flooded rooms. They can be installed in rainwater pits, for the treatment of waste from laundries, for fountains, for draining tanks and swimming pools and for many other domestic and commercial applications.**
- ※ The careful choice of components, strict quality control and advanced manufacturing techniques grant a fully reliable and safe operation for every user.
- ※ The accurate fluid-dynamic design allows greater energy saving taking advantage of the high efficiency.



PERFORMANCE RANGE

- Flow rate up to **300 l/min** (18 m³/h)
- Head up to **26 m**

APPLICATION LIMITS

- **5 m** maximum immersion depth (with a sufficiently long power cable)
- Maximum liquid temperature up to **+40°C**
- Passage of suspended solids up to **Ø 10 mm**
- Suction down to **17 mm** above ground level
- Minimum immersion depth for continuous service:
 - **210 mm** for D 8-10-20
 - **250 mm** for D 30

CONSTRUCTION AND SAFETY STANDARDS

- Power cable length:
 - **5 m** for D 8, D 10, D 20
 - **10 m** for D 30
- Float switch for single-phase versions

INSTALLATION AND USE

Designed for draining **clean water** or slightly dirty water, **D** series electric pumps are recommended for domestic and professional use for draining flooded rooms such as basements, garages, for emptying swimming pools and tanks, and for draining off non-sewage waste water. These pumps stand out for their reliability, particularly in fixed installations with automatic operation. D series electric pumps can operate in continuous service even when partially uncovered.

PATENTS - TRADEMARKS - MODELS

- Patent n° EP2313658
- Patent n° IT0001428923

OPTIONS AVAILABLE ON REQUEST

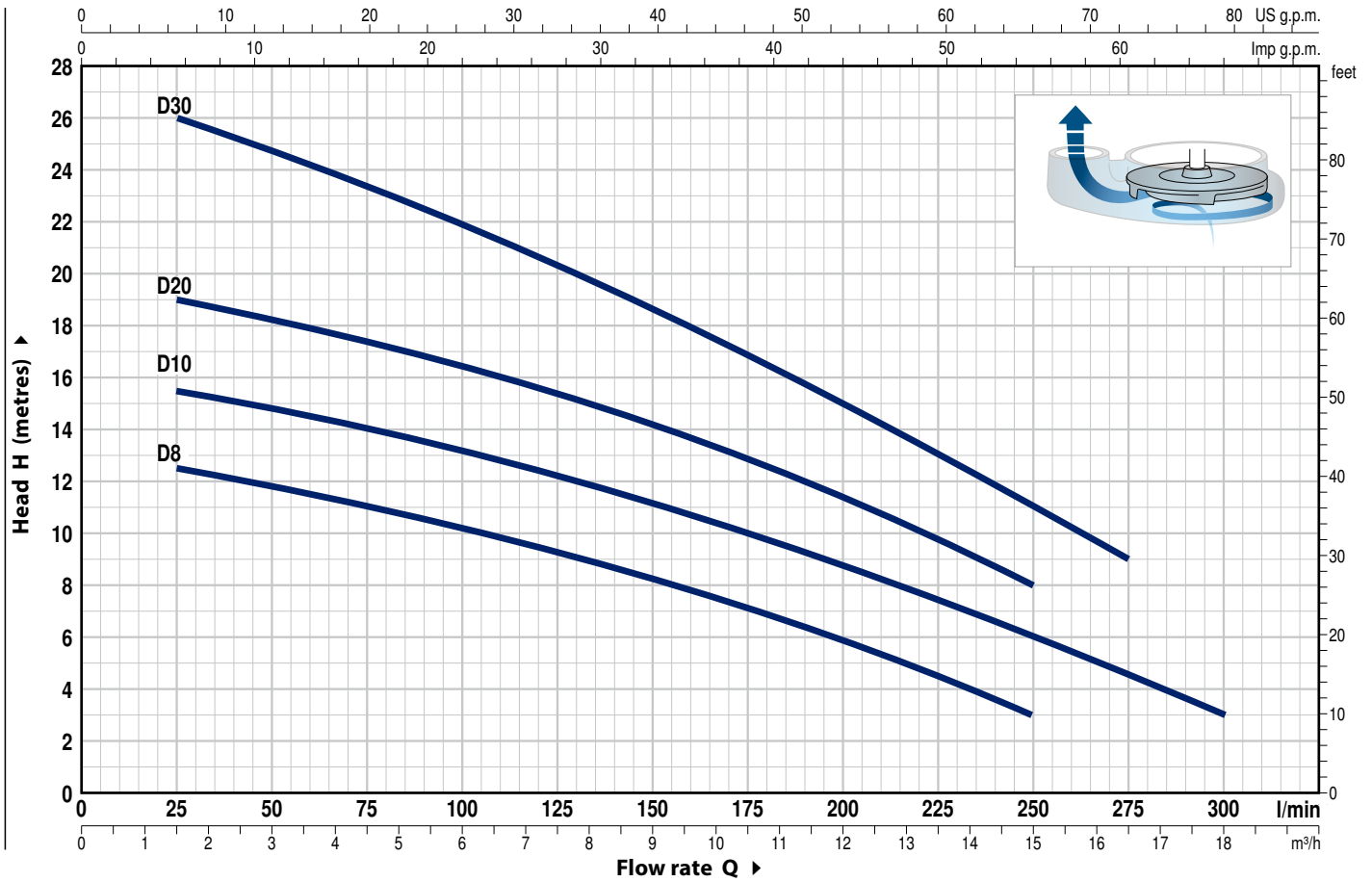
- D8-10-20 electric pumps with **10 m** power cable.
 - N.B.: The 10 m power cable is mandatory for outdoor use in accordance with EN 60335-2-41
- Single-phase electric pumps without a float switch
- Other voltages or 60 Hz frequency

WARRANTY

2 years as per our general terms and conditions of sale

CHARACTERISTIC CURVES AND PERFORMANCE DATA

50 Hz n= 2900 min⁻¹





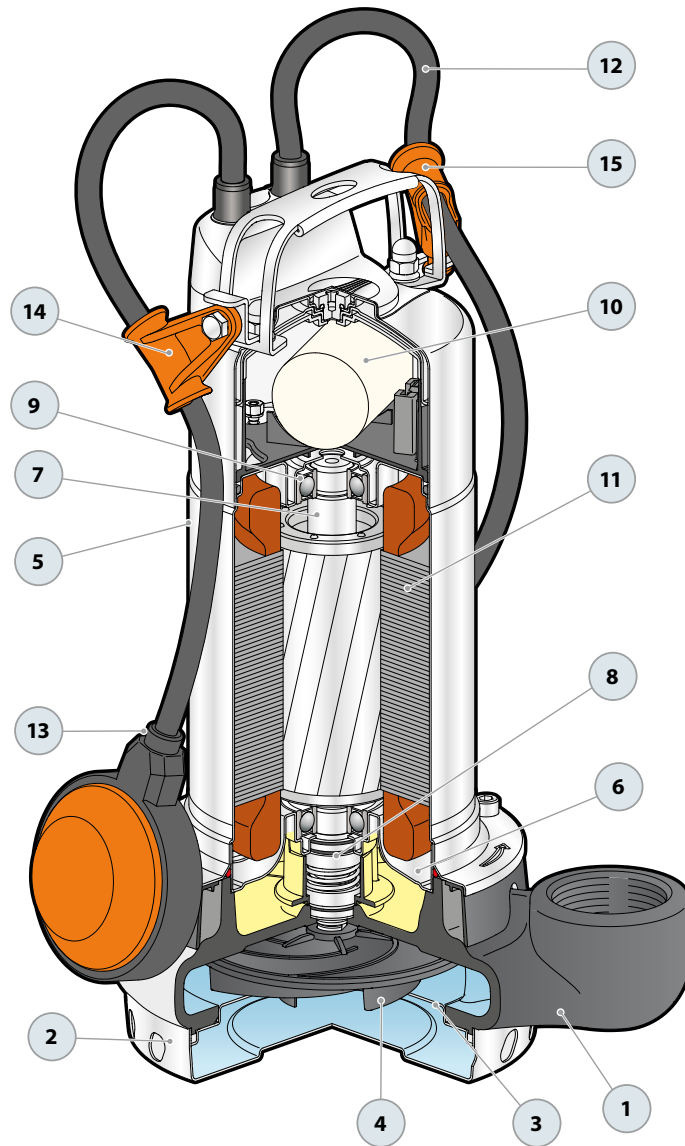
MODEL		POWER (P ₂)		Q	Flow rate																
Single-phase	Three-phase	kW	HP		m ³ /h	0	1.5	3.0	4.5	6.0	7.5	9.0	10.5	12.0	13.2	15.0	16.5	18.0			
				l/min	0	25	50	75	100	125	150	175	200	220	250	275	300				
Dm 8	D 8	0.55	0.75	H metres	13	12.5	12	11	10	9	8	7	6	4.7	3						
Dm 10	D 10	0.75	1		16	15.5	15	14	13.2	12.2	11.2	10	8.8	7.8	6	4.5	3				
Dm 20	D 20	0.75	1		20	19	18.5	17.5	16.5	15.5	14.3	13	11.5	10	8						
Dm 30	D 30	1.1	1.5		26	26	25	23.5	22	20.5	18.7	17	15	13.5	11	9					

Q = Flow rate H = Total manometric head

Tolerance of characteristic curves in compliance with EN ISO 9906 Grade 3B.

POS. COMPONENT CONSTRUCTION CHARACTERISTICS

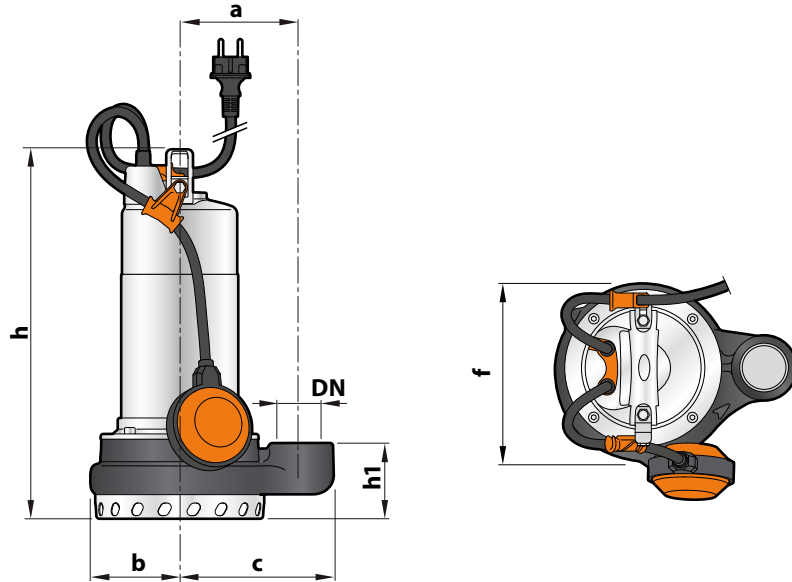
1	PUMP BODY	Cast iron with an Epoxy Electro Coating treatment, with threaded port in compliance with ISO 228/1					
2	SUCTION FILTER	AISI 304 stainless steel					
3	SUCTION PLATE	AISI 304 stainless steel					
4	IMPELLER	Technopolymer open type					
5	MOTOR CASING	AISI 304 stainless steel					
6	MOTOR CASING PLATE	AISI 304 stainless steel for D 8-10-20 - Cast iron with an Epoxy Electro Coating treatment for D 30					
7	MOTOR SHAFT	AISI 431 stainless steel					
8	DOUBLE MECHANICAL SEAL IN OIL CHAMBER						
	<i>Electric pump Model</i>	<i>Seal Model</i>	<i>Shaft Diameter</i>	<i>Position</i>	<i>Materials</i> <i>Stationary ring</i>	<i>Materials</i> <i>Rotational ring</i>	<i>Elastomer</i>
	D8	MG1-14D SIC	Ø 14 mm	Motor side	Silicon carbide	Graphite	NBR
	D10			Pump side	Silicon carbide	Silicon carbide	NBR
	D20						
	(Double seal on shaft with a ring seal Ø 16 x Ø 24 x H 5 mm)						
	D30	ST1-14 SIC	Ø 14 mm		Ceramic	Silicon carbide	NBR
9	BEARINGS						
	<i>Electric pump Model</i>	<i>Type</i>					
	D 8-10-20	6203 ZZ / 6203 ZZ					
	D 30	6303 2RS - C3 / 6203 ZZ					
10	CAPACITOR EN 60252-1/A1 (only for single-phase versions)	 					
11	ELECTRIC MOTOR Dm: single-phase 230 V - 50 Hz with thermal overload protector incorporated into the winding D: three-phase 400 V - 50 Hz – Insulation: class F – Protection: IP X8						
12	POWER CABLE “H07 RN-F” type (with Schuko plug for single-phase versions only) Standard length 5 metres (10 metres for D30)						
13	EXTERNAL FLOAT SWITCH (only for single-phase versions)						
14	TILTING DEVICE FOR THE FLOAT CABLE (only for single-phase versions) Patent n° IT0001428923						
15	TEAR-PROOF DEVICE FOR THE POWER CABLE Patent n° EP2313658						



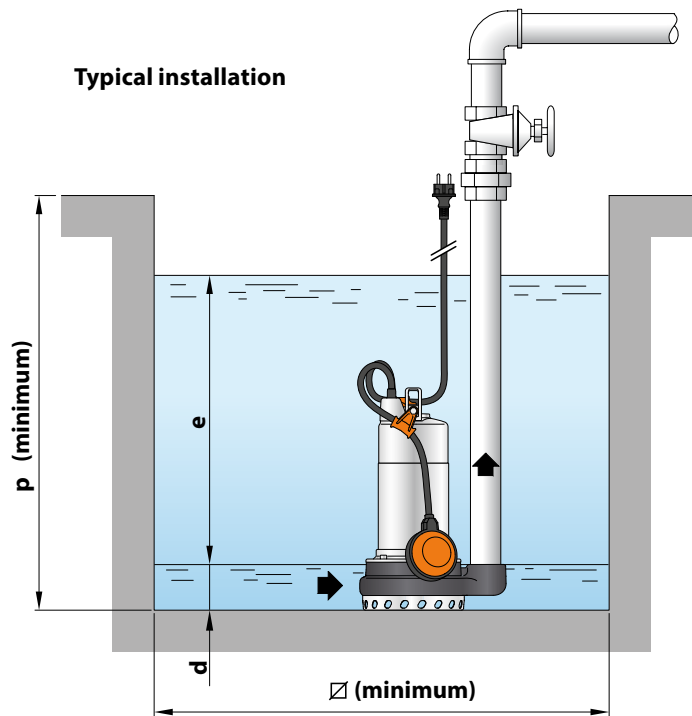
D

Submersible drainage pumps

DIMENSIONS AND WEIGHTS



Typical installation



MODEL		PORT DN	DIMENSIONS mm										kg	
Single-phase	Three-phase		a	b	c	f	h	h1	d	e	p	∅	1~	3~
Dm 8	D 8	1½"	115	85	147	177	338	73	17	adjustable	500	500	12.8	11.7
Dm 10	D 10						353						14.0	12.9
Dm 20	D 20			93		195	390	84					17.4	16.0
Dm 30	D 30													

ABSORPTION

MODEL	VOLTAGE	
	230 V	240 V
Single-phase		
Dm 8	3.4 A	3.4 A
Dm 10	5.0 A	4.9 A
Dm 20	5.5 A	5.4 A
Dm 30	7.3 A	7.2 A

MODEL	VOLTAGE			
	230 V	400 V	240 V	415 V
Three-phase				
D 8	2.4 A	1.4 A	2.3 A	1.3 A
D 10	3.4 A	2.0 A	3.3 A	1.9 A
D 20	3.8 A	2.2 A	3.6 A	2.1 A
D 30	5.2 A	3.0 A	5.0 A	2.9 A

CAPACITORS

MODEL	CAPACITY
	(230 V or 240 V)
Single-phase	
Dm 8	20 μ F 450 VL
Dm 10	25 μ F 450 VL
Dm 20	25 μ F 450 VL
Dm 30	35 μ F 450 VL

*The features and specifications here in stated are in no way binding for the manufacturer.
Pedrollo S.p.A. is free to modify the product in order to improve its production at any time without previous notice.*

Pedrollo S.p.A.

Via Enrico Fermi, 7 - 37047 San Bonifacio (Verona) Italy
tel. +39 045 6136311 - fax +39 045 7614663
vendite@pedrollo.com - sales@pedrollo.com - www.pedrollo.com

MADE IN ITALY

Z-DPL90078UK