

Submersible drainage pumps

-  Clear water
-  Domestic use
-  Civil use



PERFORMANCE RANGE

- Flow rate up to **300 l/min** (18 m³/h)
- Head up to **26 m**

APPLICATION LIMITS

- **10 m** maximum immersion depth (with a sufficiently long power cable)
- Maximum liquid temperature **+40 °C**
- Passage of suspended solids up to **Ø 10 mm**
- Suction down to **17 mm** above ground level
- Minimum immersion depth for continuous service: **220 mm**

CONSTRUCTION AND SAFETY STANDARDS

- **10 m** long power cable
- Float switch for single-phase versions

EN 60335-1
IEC 60335-1
CEI 61-150

EN 60034-1
IEC 60034-1
CEI 2-3



CERTIFICATIONS

Company with management system certified DNV
ISO 9001: QUALITY

INSTALLATION AND USE

DC submersible pumps, made from heavy gauge cast iron offering exceptional sturdiness, abrasion resistance and durability, are suitable for draining **clear or slightly dirty water**. They distinguish themselves for their sturdiness and reliability under automatic operating conditions in fixed installations.

PATENTS - TRADE MARKS - MODELS

- Patent n. EP2313658
- Patent n. IT0001428923
- Registered EU Design n. 002501486-0001

OPTIONS AVAILABLE ON REQUEST

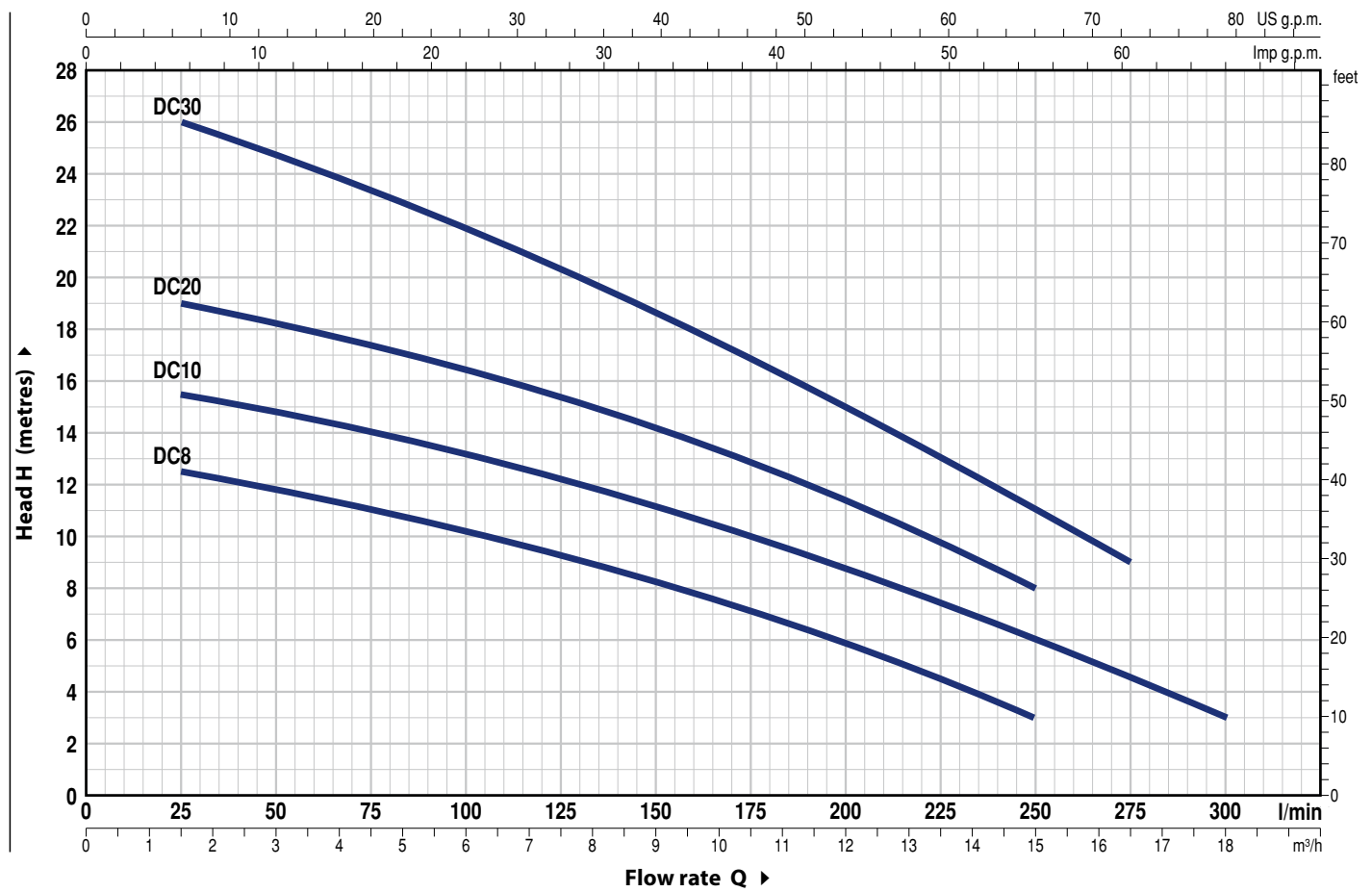
- Single-phase pumps without float switch
- Other voltages

GUARANTEE

2 years subject to terms and conditions

CHARACTERISTIC CURVES AND PERFORMANCE DATA

60 Hz n= 3450 min⁻¹



MODEL		POWER (P ₂)		Q	Flow rate																	
Single-phase	Three-phase	kW	HP		m ³ /h	0	1.5	3.0	4.5	6.0	7.5	9.0	10.5	12.0	13.2	15.0	16.5	18.0				
				l/min	0	25	50	75	100	125	150	175	200	220	250	275	300					
DCm 8	DC 8	0.55	0.75	H metres	13	12.5	11.8	11	10.2	9.2	8.2	7	5.8	4.7	3							
DCm 10	DC 10	0.75	1		16	15.5	14.8	14	13.2	12.2	11.2	10	8.8	7.8	6	4.5	3					
DCm 20	DC 20	0.75	1		20	19	18.5	17.5	16.5	15.5	14.3	13	11.5	10	8							
DCm 30	DC 30	1.1	1.5		26	26	24.8	23.5	22	20.4	18.7	16.9	15	13.5	11	9						

Q = Flow rate H = Total manometric head

Tolerance of characteristic curves in compliance with EN ISO 9906 Grade 3B.

POS. COMPONENT CONSTRUCTION CHARACTERISTICS

1	PUMP BODY	Cast iron with an Epoxy Electro Coating treatment, with threaded port in compliance with ISO 228/1
2	SUCTION FILTER	Stainless steel AISI 304
3	SUCTION PLATE	Stainless steel AISI 304
4	IMPELLER	Technopolymer open type
5	MOTOR CASING	Cast iron with an Epoxy Electro Coating treatment
6	MOTOR CASING PLATE	Stainless steel AISI 304
7	MOTOR SHAFT	Stainless steel AISI 431

8 SHAFT WITH DOUBLE MECHANICAL SEAL SEPARATED BY AN OIL CHAMBER

Pump Model	Seal Model	Shaft Diameter	Position	Materials		
				Stationary ring	Rotational ring	Elastomer
DC8	MG1-14D SIC	Ø 14 mm	Motor side	Silicon carbide	Graphite	NBR
DC10			Pump side	Silicon carbide	Silicon carbide	NBR
DC20						
(Double seal on shaft with a ring seal Ø 16 x Ø 24 x H 5 mm)						
DC30	ST1-14 SIC	Ø 14 mm		Ceramic	Silicon carbide	NBR

9 BEARINGS 6203 ZZ / 6203 ZZ

10 CAPACITOR

Pump Model	Capacitance	
Single-phase	(220 V)	(110 V or 127 V)
DCm8		
DCm10	20 µF 450 VL	30 µF - 250 VL
DCm20		
DCm30	25 µF 450 VL	-

11 ELECTRIC MOTOR

DCm: single-phase 220 V - 60 Hz
with thermal overload protector incorporated into the winding

DC: three-phase 380 V - 60 Hz

- Insulation: class F
- Protection: IP X8

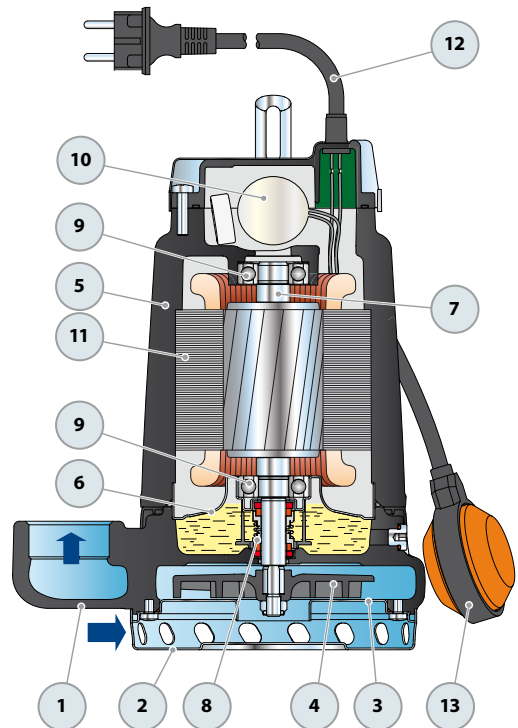
12 POWER CABLE

"H07 RN-F" type
(with Schuko plug for single-phase versions only)

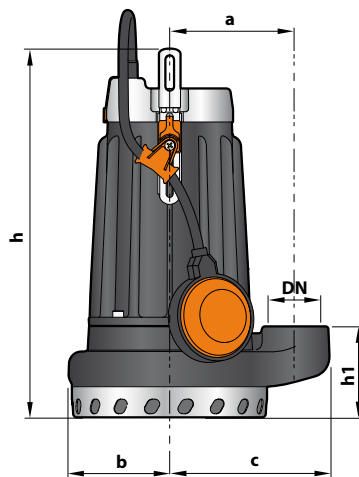
Standard length 10 metres

13 FLOAT SWITCH

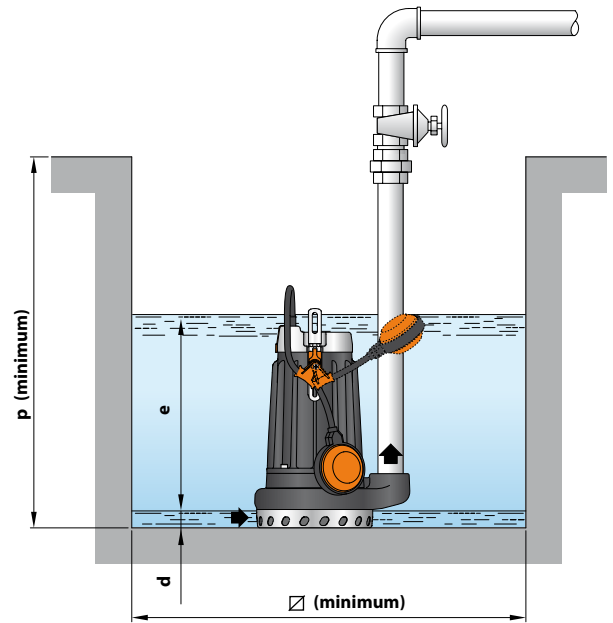
(only for single-phase versions)



DIMENSIONS AND WEIGHT



Standard installation



MODEL		PORT DN	DIMENSIONS mm									kg	
Single-phase	Three-phase		a	b	c	h	h1	d	e	p	Ø	1~	3~
DCm 8	DC 8	1½"	115	85	147	324	72	17	variable	500	500	15.8	15.8
DCm 10	DC 10											16.9	15.8
DCm 20	DC 20											17.0	15.9
DCm 30	DC 30			93	339	84	18.8	17.7					

ABSORPTION

MODEL	VOLTAGE		
	Single-phase	220 V	110 V
DCm 8	3.8 A	7.6 A	6.8 A
DCm 10	5.0 A	10.0 A	8.7 A
DCm 20	6.5 A	13.0 A	11.3 A
DCm 30	7.7 A	15.4 A	13.3 A

MODEL	VOLTAGE		
	Three-phase	220 V	380 V
DC 8	3.2 A	1.8 A	1.6 A
DC 10	3.9 A	2.3 A	2.0 A
DC 20	4.9 A	2.8 A	2.5 A
DC 30	5.7 A	3.3 A	2.9 A

PALLETIZATION

MODEL		GROUPAGE n. pumps	CONTAINER n. pumps
Single-phase	Three-phase		
DCm 8	DC 8	60	80
DCm 10	DC 10	60	80
DCm 20	DC 20	60	80
DCm 30	DC 30	60	80