

EN  
**NEW**

**BC**



WORK IN PROGRESS



 **PEDROLLO**<sup>®</sup>  
... the spring of life

## NEW

Drainage pumps with cast iron pump body for using in domestic, civil and industrial applications.

### TECHNICAL CHARACTERISTICS

- ▶ Cast iron pump body subjected to Epoxy Electrocoating Treatment. This treatment guarantees high resistance to oxidation.
- ▶ Stainless steel double-channel type impeller.
- ▶ Precision cast stainless steel handle.
- ▶ Stainless steel motor shaft.
- ▶ Double mechanical seals.
- ▶ Float switch equipped with patented tilting system (patented).
- ▶ Supply cable equipped with anti-tear system (patented).

### INSTALLATION AND USE

**BC** submersible pumps are suitable for draining **dirty water and sewage** in domestic and civil applications. They come equipped with a **DOUBLE-CHANNEL** stainless steel impeller and are capable of pumping liquids containing short fibred suspended solids up to  $\varnothing 50$  mm.

They are ideal for pumping sewage water, waste water, surface water and water mixed with mud in locations such as holiday homes and detached homes.

These pumps distinguish themselves for their reliability, which can be best appreciated under automatic operating conditions in fixed installations.

### APPLICATION LIMITS

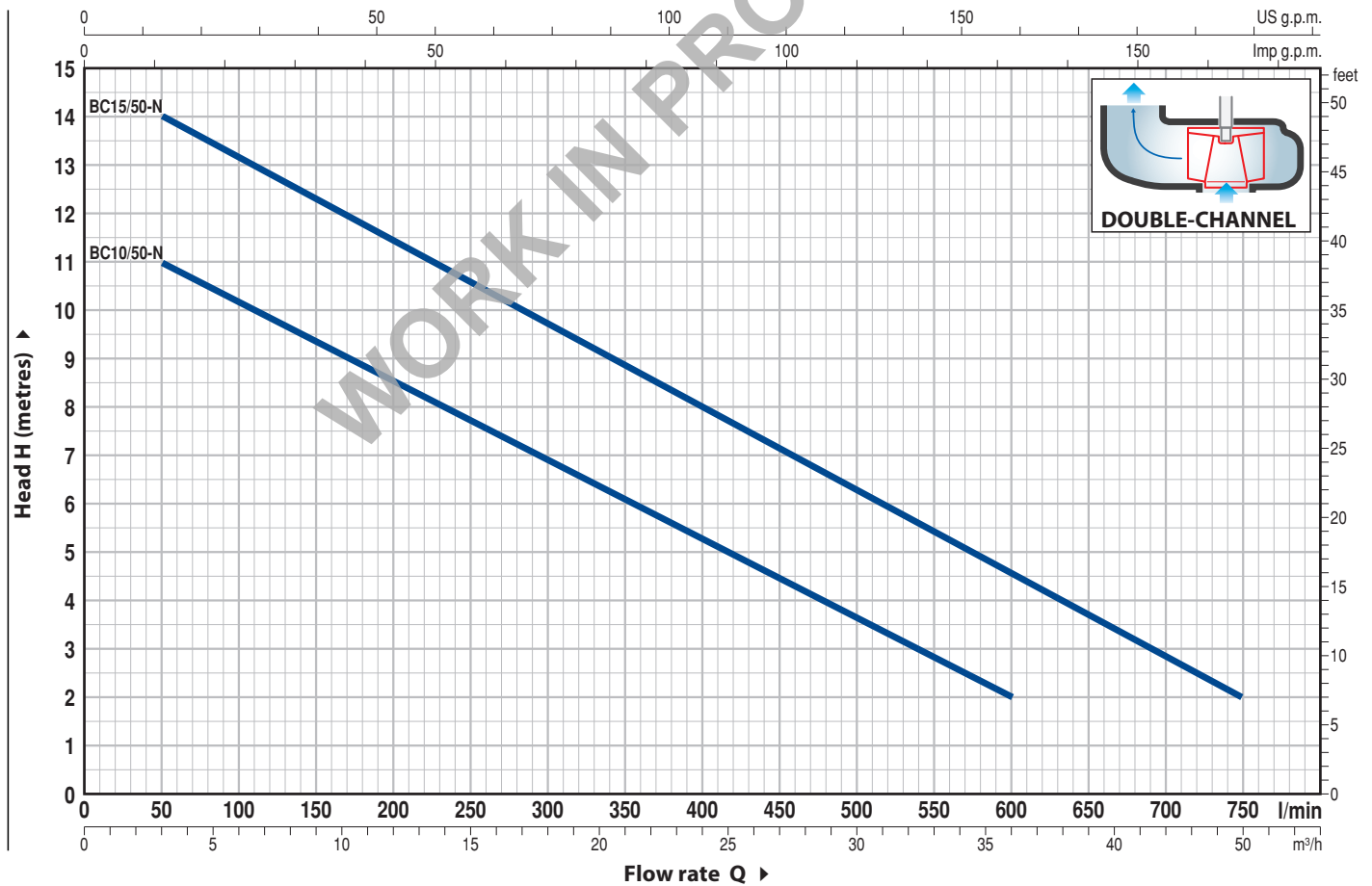
- **5 m** maximum immersion depth
- Maximum liquid temperature **+40 °C**
- Passage of suspended solids up to  **$\varnothing 50$  mm**
- Minimum immersion depth for continuous service: up to **305 mm** for BC10/50-N, up to **320 mm** for BC15/50-N

### STANDARD SUPPLY

- Complete with:
  - **5 m** long power cable for BC10/50-N
  - **10 m** long power cable for per BC15/50-N
- Float switch for single-phase versions

### CHARACTERISTIC CURVES AND PERFORMANCE DATA

50 Hz n= 2900 1/min



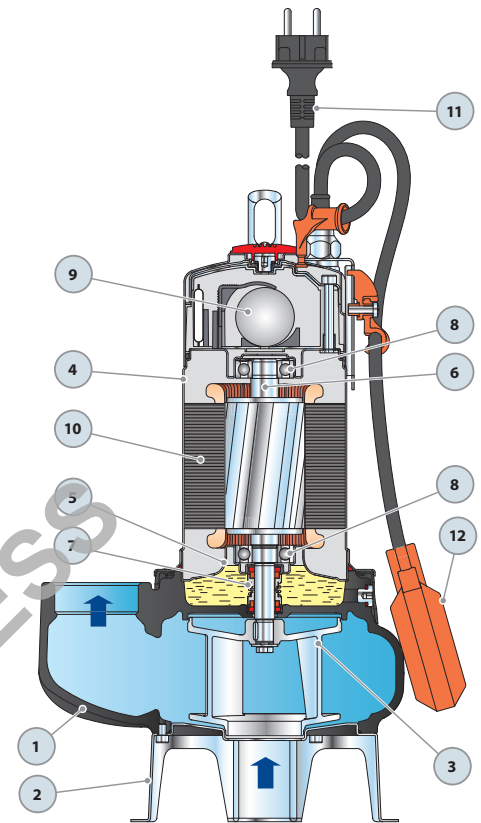
MODEL		POWER		Q	Flow rate												
Single-phase	Three-phase	kW	HP		m³/h	0	3	6	12	18	24	30	36	42	45		
BCm 10/50-N	BC 10/50-N	0.75	1	l/min	0	50	100	200	300	400	500	600	700	750			
BCm 15/50-N	BC 15/50-N	1.1	1.5	H metres	12	11	10	8.5	7	5	3.6	2					
					15	14	13	11.5	9.7	8	6.3	4.6	2.9	2			

Q = Flow rate H = Total manometric head

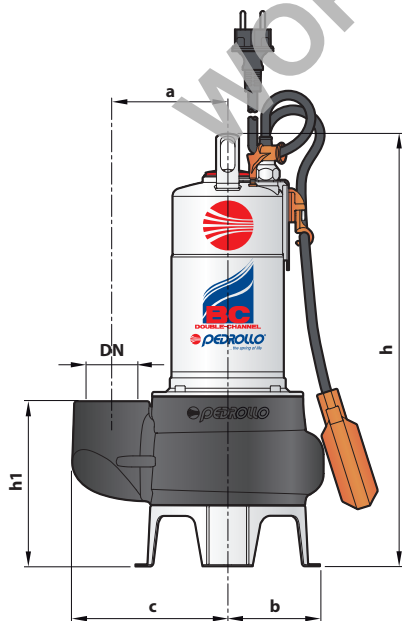
Tolerance of characteristic curves in compliance with EN ISO 9906 Grade 3.

**POS. COMPONENT CONSTRUCTION CHARACTERISTICS**

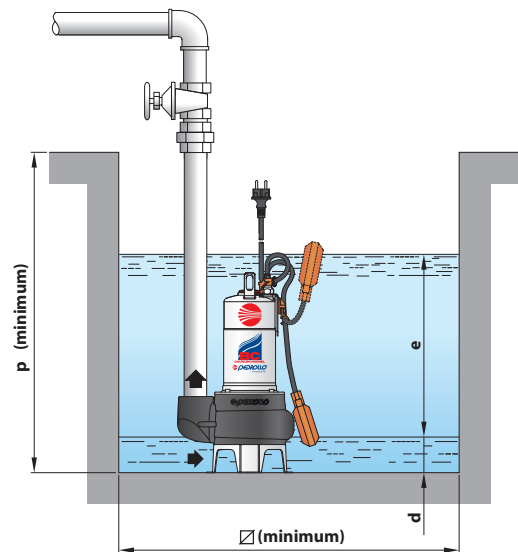
<b>1 PUMP BODY</b>	Cast iron subjected to Epoxy Electrocoating Treatment, with threaded port in compliance with ISO 228/1				
<b>2 BASE</b>	Stainless steel AISI 304				
<b>3 IMPELLER</b>	Stainless steel AISI 304 DOUBLE-CHANNEL type				
<b>4 MOTOR CASING</b>	Stainless steel AISI 304				
<b>5 MOTOR CASING PLATE</b>	Stainless steel AISI 304				
<b>6 MOTOR SHAFT</b>	Stainless steel EN 10088-3 - 1.4104				
<b>7 SHAFT WITH DOUBLE MECHANICAL SEAL SEPARATED BY AN OIL CHAMBER</b>					
	<i>Seal Model</i>	<i>Shaft Diameter</i>	<i>Stationary ring</i>	<i>Rotational ring</i>	<i>Materials Elastomer</i>
	MG1-14D SIC	Ø 14 mm	Silicon carbide	Silicon carbide	NBR
<b>8 BEARINGS</b>	<b>6203 ZZ / 6203 ZZ</b>				
<b>9 CAPACITOR</b>					
	<i>Pump Single-phase</i>	<i>Capacitance (230 V or 240 V)</i>		<i>(110 V)</i>	
	BCm 10/50-N	20 µF 450 VL	30 µF 250 VL		
	BCm 15/50-N	25 µF 450 VL	-		
<b>10 ELECTRIC MOTOR</b>	<ul style="list-style-type: none"> <li>- Single-phase 230 V - 50 Hz with thermal overload protector built-in to the winding</li> <li>- Three-phase 400 V - 50 Hz</li> <li>- Insulation: F class</li> <li>- Protection: IP X8</li> </ul>				
<b>11 POWER CABLE</b>	<b>5 metre</b> long "H07 RN-F" cable ( <b>10 metre</b> for BC15/50-N) (with Schuko plug on single-phase versions only)				
<b>12 FLOAT SWITCH</b>	(only for single-phase versions)				



**DIMENSIONS**



**Typical installation**



MODEL		PORT DN	solids passage	DIMENSIONS mm								
Single-phase	Three-phase			a	b	c	h	h1	d	e	p	Ø
BCm 10/50-N	BC 10/50-N	2"	Ø 50 mm	115	95	155	431	164	60	variable	500	500
BCm 15/50-N	BC 15/50-N						446					

WORK IN PROGRESS



**Pedrollo S.p.A.** – Via Enrico Fermi, 7 – 37047 – San Bonifacio (VR)  
tel. +39 045 6136311 – fax +39 045 7614663 – sales@pedrollo.com – www.pedrollo.com