

Electronic pressure regulator

 Domestic use



PERFORMANCE RANGE

- Max flow rate: **200 l/min** (12 m³/h)
- Working pressure: **8 bar**
- Restarting pressure: **2 bar**
(Adjustable between 1 and 5 bar)

APPLICATION LIMITS

- Maximum liquid temperature **+65 °C**
- Ambient temperature up to **+40 °C**
- Burst pressure **32 bar**
- Protection: **IP 65**
- Voltage: **230 V** - Frequency: **50/60 Hz** - Max current: **16 A**

PERFORMANCE DATA

MODEL	POWER (P ₂)		Volt	Hz	Current
	kW	HP			
EASYPRO	1.5	2	230	50/60	16 A

CONSTRUCTION AND SAFETY STANDARDS

- Resinated and easily replaced electronic card for a complete protection from humidity.
- The electronic card inside EASYPRO has undergone the strictest EMC tests of electromagnetic compatibility.

PATENTS - TRADE MARKS - MODELS

- Registered EU Design n. 976824
- Patent Pending n. IT 1388969, IT 1388970
- EASYPRO® registered Trade Mark n. 0001334546

OPTIONS AVAILABLE ON REQUEST

- Version with 1" NPT ports
- Version with cable and Schuko plug and socket

GUARANTEE

2 years subject to terms and conditions

INSTALLATION AND USE

EASYPRO® stands out from the traditional PRESSURE FLOW SWITCHES because of a number of innovative characteristics:

- **the air filled integrated expansion tank;**
- **selection of the restart pressure of the pump;**
- **the back-lit LCD display.**

PUMP START PRESSURE

EASYPRO® enables you to select the restart pressure of the pump, between 1 and 5 bar.

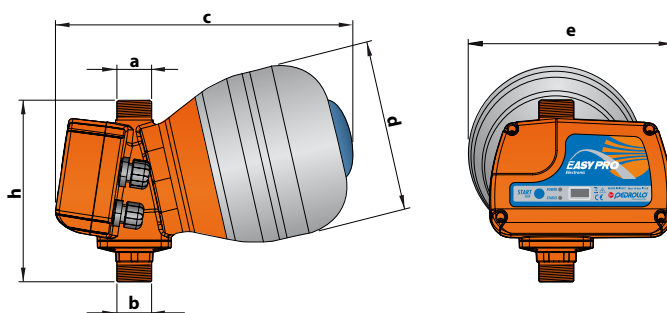
The pressure is selected using the control button and following the instructions on the LCD display. One model covers a wide range of installation requirements.

SURGE TANK

EASYPRO® includes an incorporated **3 litre** surge tank.

The substantial accumulation volume combined with its ability to absorb excess pressure, a typical surge tank characteristic, make it suitable for use in installations where other pressure flow regulators may prove inadequate. In order to guarantee optimum protection and accumulator performance, it is possible to adjust the tank pressure, the **factory setting is 1.8 bar**, based on the pump start pressure selected.

DIMENSIONS AND WEIGHT



MODEL	PORTS		DIMENSIONS mm				kg
	a	b	c	d	e	h	
EASYPRO	1"	1"	284	162	192	174	2.43

ACCESSORIES

- **GSR** Special three-piece joint with an o-ring seal (1" M)



GSR